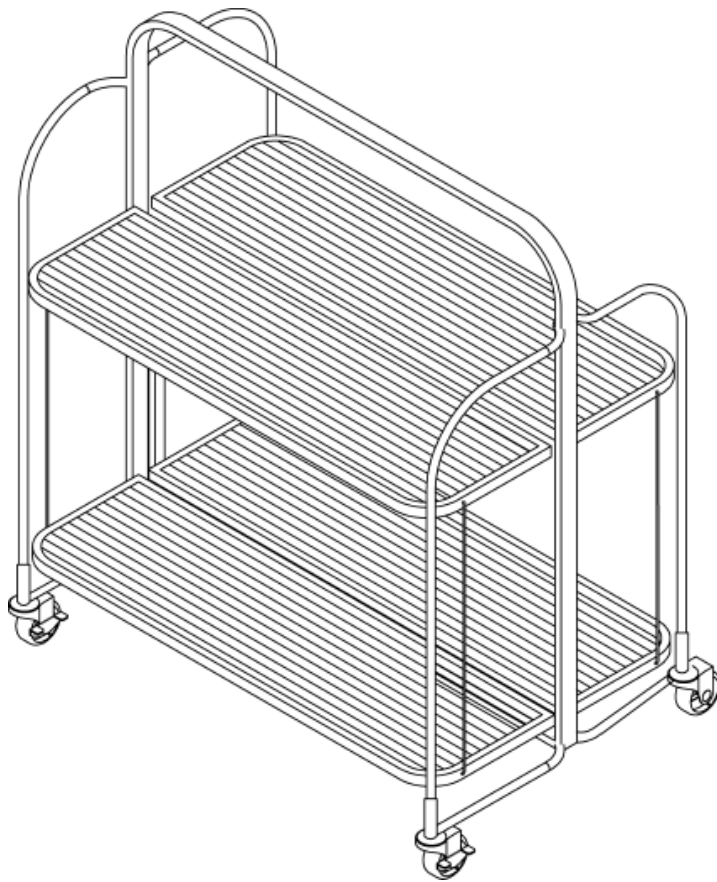


Seek & Ramble

GATSBY BAR CART/TROLLEY

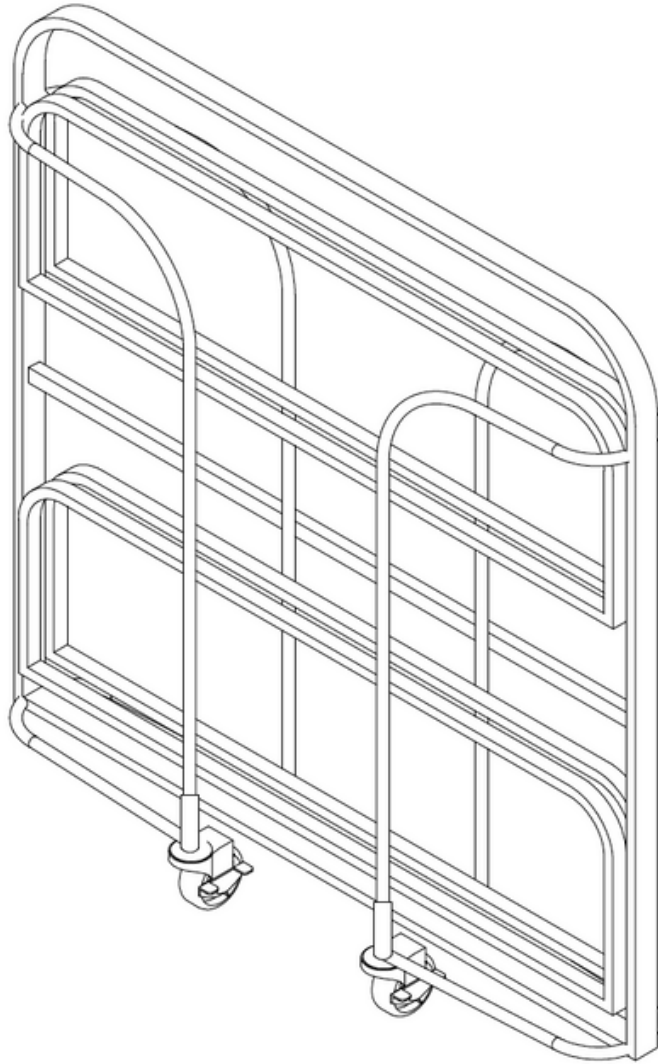


ASSEMBLY GUIDE



Seek & Ramble

CONTENTS



DESIGNED & IMPORTED BY REAL ROGUE IMPORTS FOR
SEEK & RAMBLE

Seek & Ramble

ASSEMBLY STEPS

ENSURE YOU PLACE A RUG OR PROTECTIVE SURFACE DOWN TO COMPLETE ASSEMBLY. PROTECT THE FLOOR AND THE PRODUCT FINISHES.

STEP 1

UNPACK THE GATSBY TROLLEY AND REMOVE THE PLASTIC WRAPPING.

STEP 2

UNFOLD THE SIDE SUPPORTS ON ONE SIDE OF THE TROLLEY. THEN UNFOLD BOTH SHELVES.

STEP 3

REPEAT STEP 2 ON THE REMAINING SIDE.

STEP 4

ONCE ALL SHELVES HAVE BEEN UNFOLDED, THE TROLLEY IS READY TO USE.

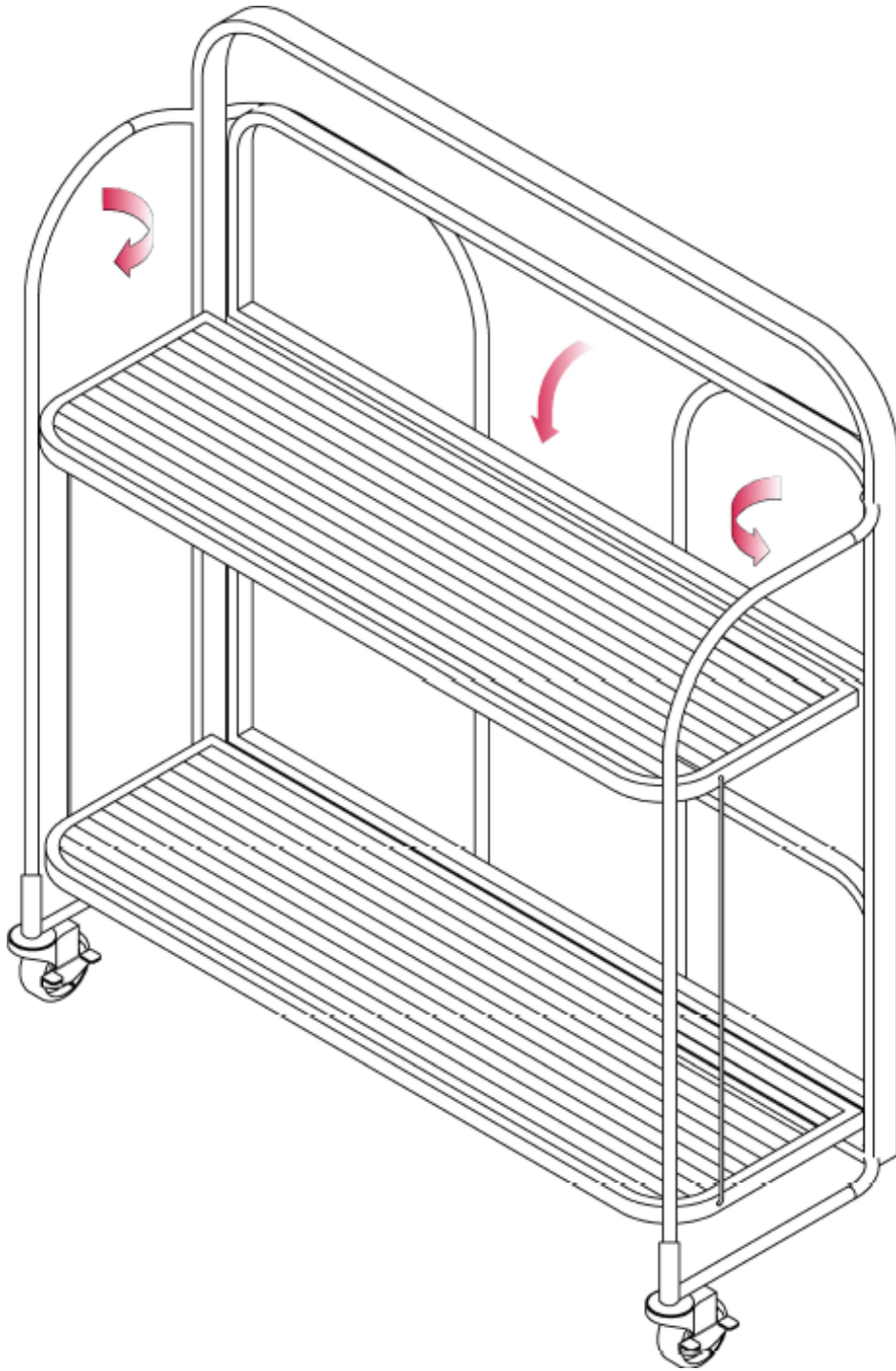
STEP 5

PLACE THE TROLLEY INTO POSITION AND STYLE IT WITH YOUR FAVOURITE TREASURES OR DÉCOR PIECES.



Seek & Ramble

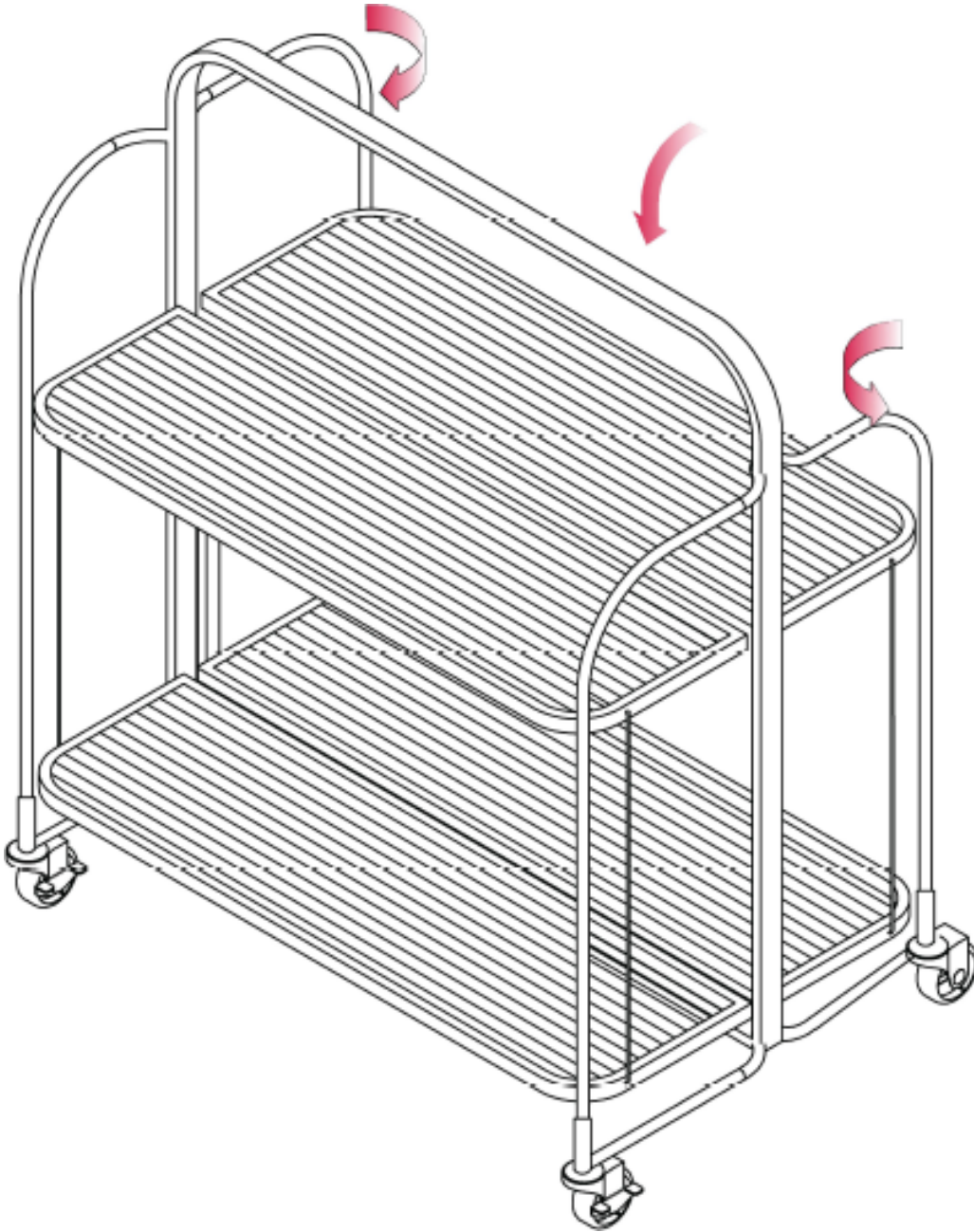
ASSEMBLY STEPS



DESIGNED & IMPORTED BY REAL ROGUE IMPORTS FOR
SEEK & RAMBLE

Seek & Ramble

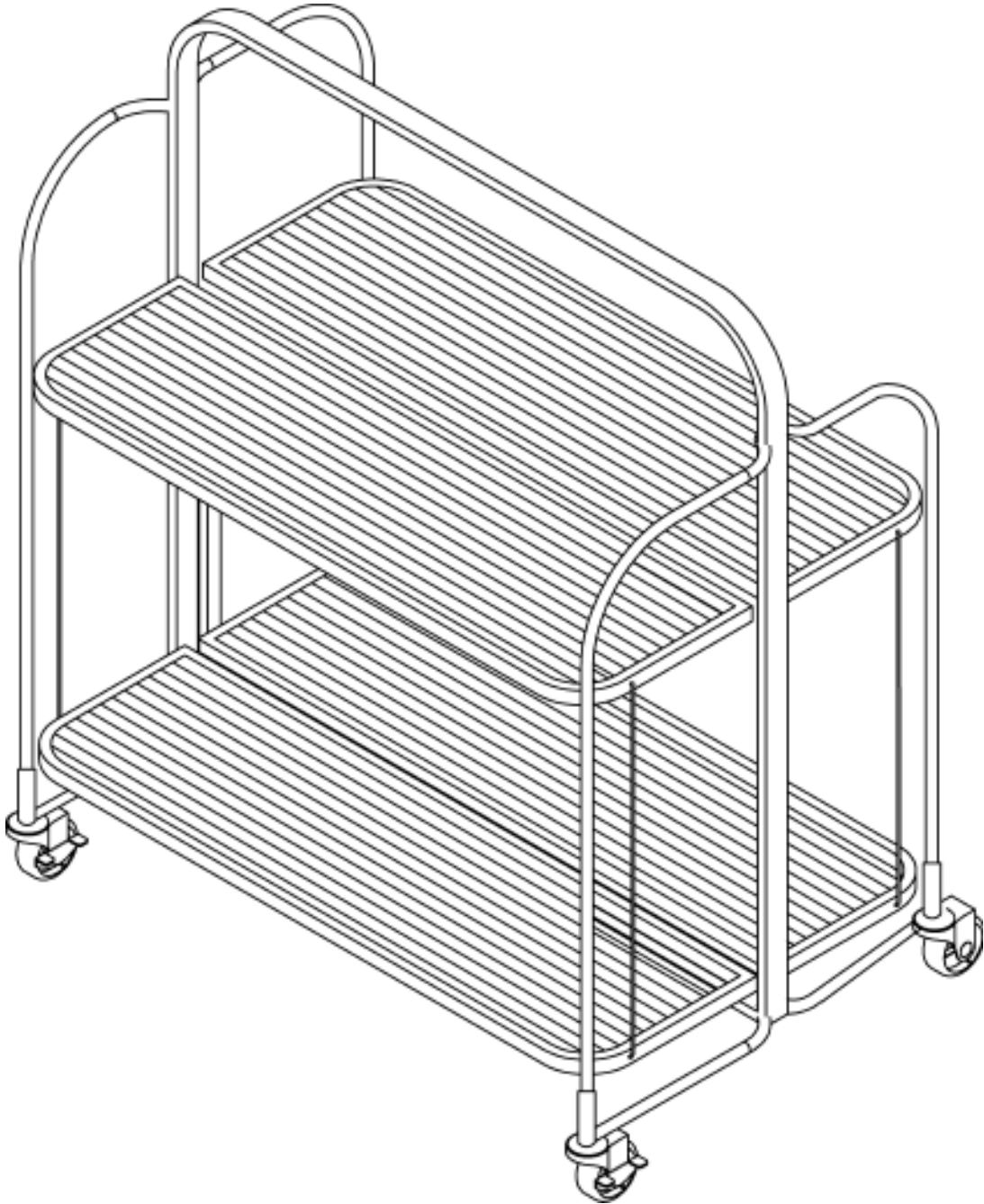
ASSEMBLY STEPS



DESIGNED & IMPORTED BY REAL ROGUE IMPORTS FOR
SEEK & RAMBLE

Seek & Ramble

ASSEMBLY STEPS



DESIGNED & IMPORTED BY REAL ROGUE IMPORTS FOR
SEEK & RAMBLE

Seek & Ramble

CARE TIPS

NOTE - USE NON-ABRASIVE FURNITURE CLEANERS TO ENSURE YOUR TABLE RECEIVES THE BEST CARE.

- ALWAYS READ THE LABEL OF CLEANING PRODUCTS TO ENSURE SUITABILITY BEFORE USING.
- MILD CLEANING PRODUCTS CAN BE SAFELY APPLIED TO THE METAL'S SURFACE. JUST BE SURE TO WIPE THE SOLUTION WITH A CLEAN, SOFT CLOTH.
- GLASS CAN BE CLEANED WITH A SOFT CLOTH AND GLASS CLEANER, OR WITH A MICROFIBER GLASS CLEANING CLOTH.
- USE COASTERS OR PLACEMATS TO PREVENT SCRATCHES ON THE GLASS.
- TAKE CARE WHEN HANDLING GLASS. DO NOT SIT, STAND OR LEAN ON THE GLASS. DO NOT PLACE THE GLASS DIRECTLY ONTO HARD SURFACES.

TIP - CHECK THE LEGS REGULARLY AND RETIGHTEN IF NECESSARY.



SCAN FOR MORE PRODUCT INFO



DESIGNED & IMPORTED BY REAL ROGUE IMPORTS FOR
SEEK & RAMBLE