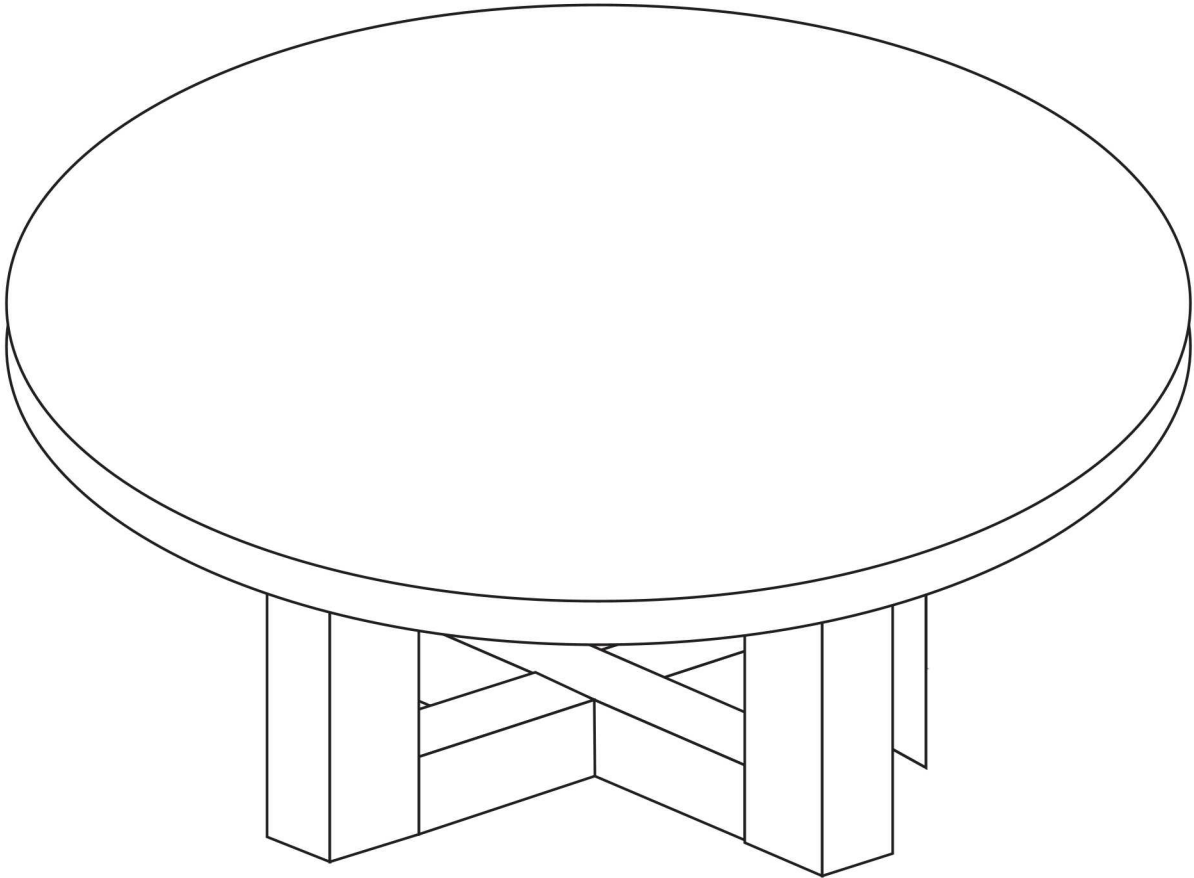


LUXA ROUND COFFEE TABLE

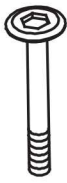


Hardware

① x 4



② x 4
Long



③ x 1



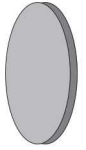
④ x 8
ø10x40mm



⑤ x 1
short

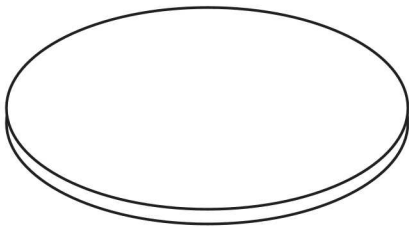


⑥ x 8

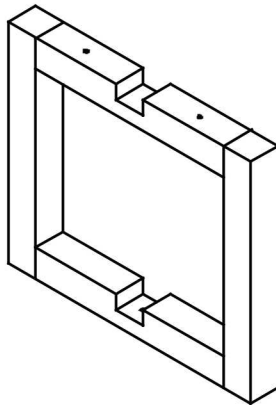


Parts

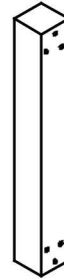
① x 1



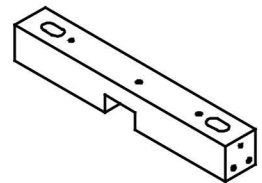
② x 1



③ x 2

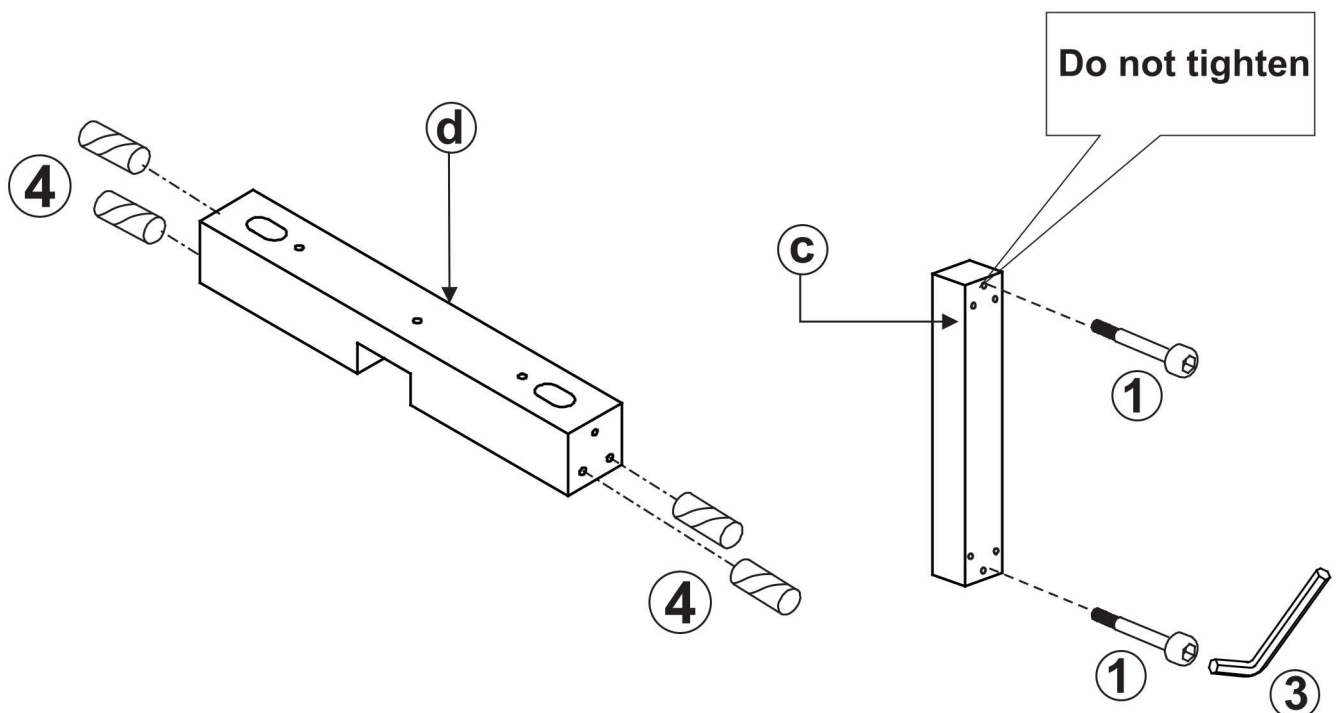


④ x 2

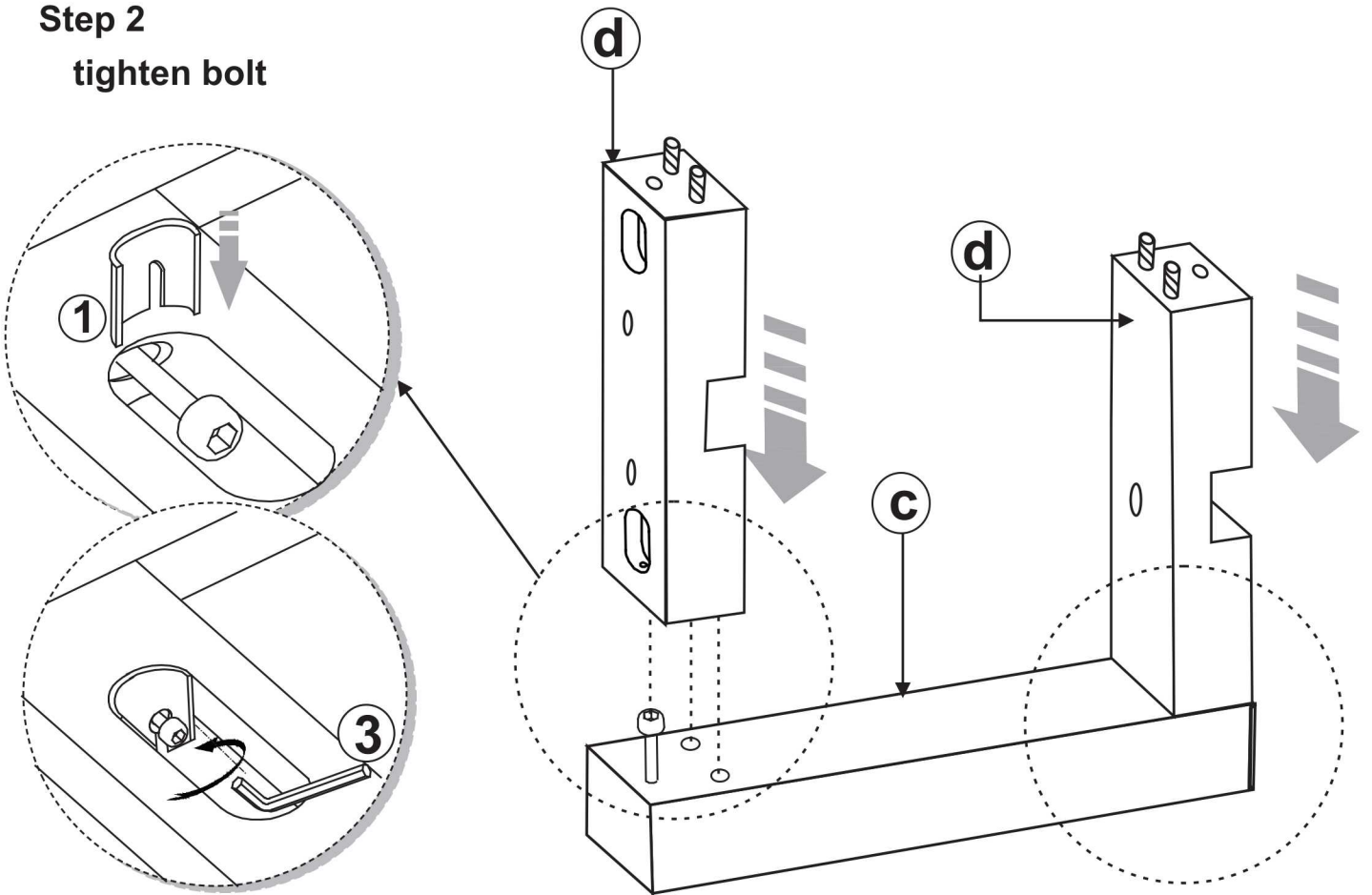


Step by step assembly instructions

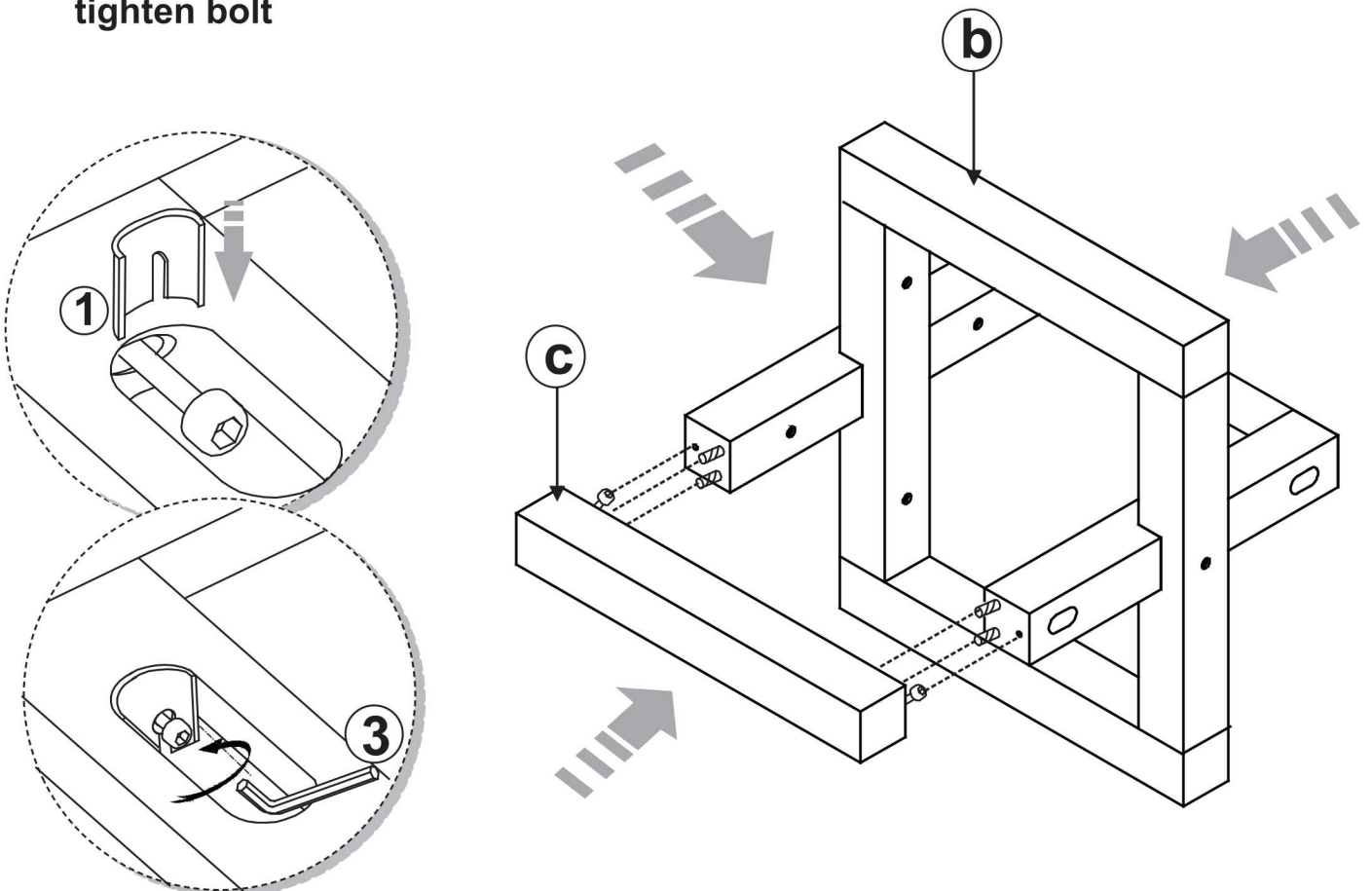
Step 1



Step 2
tighten bolt

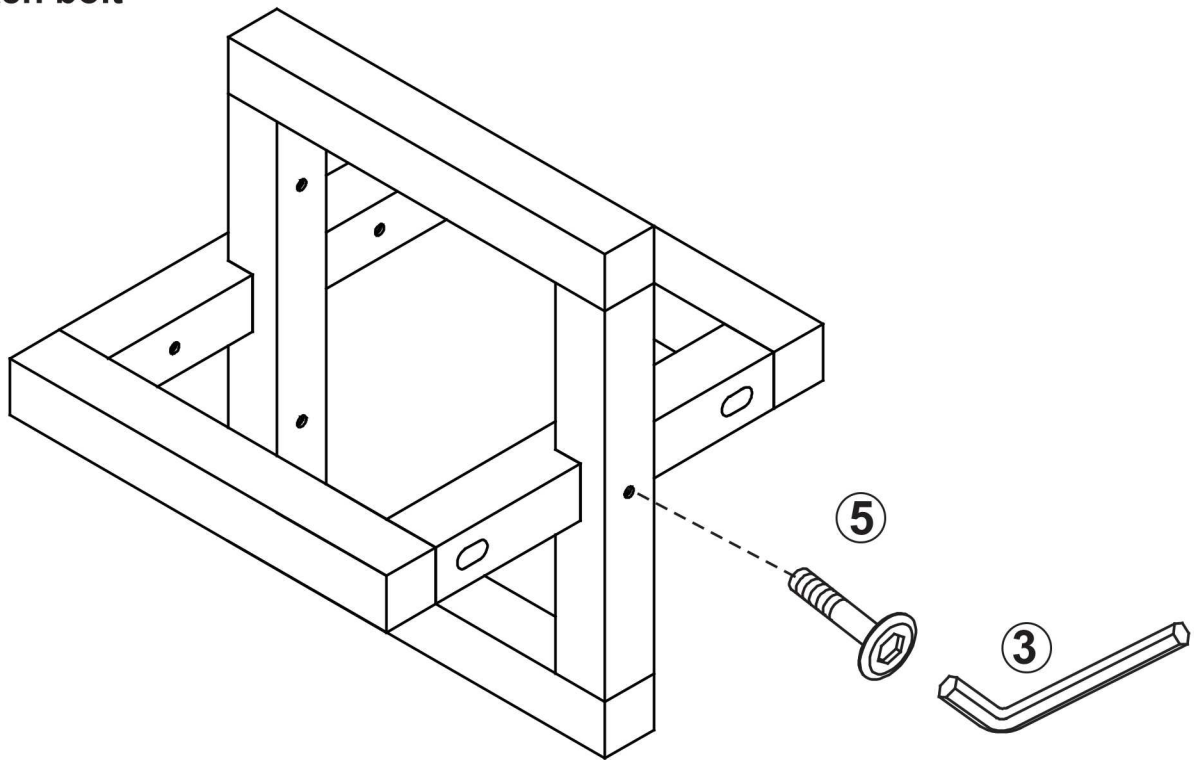


Step 3
tighten bolt

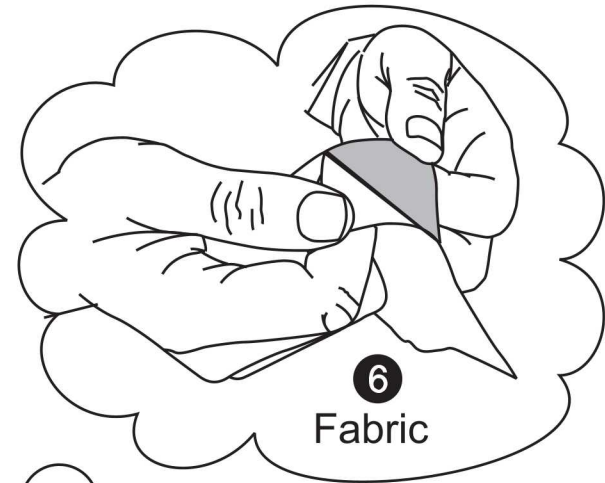
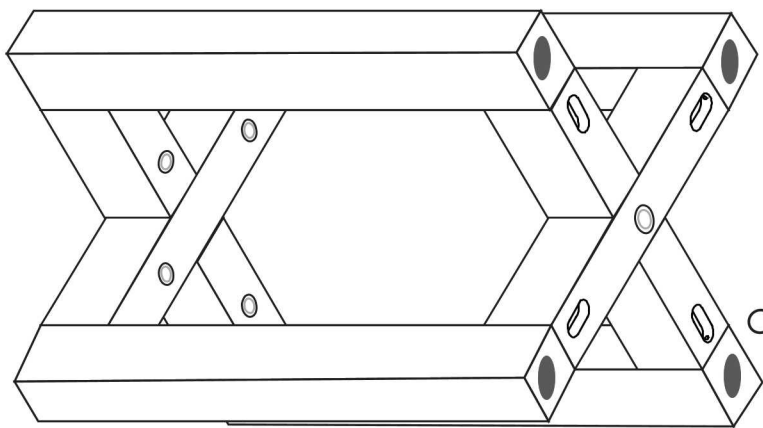


Step 4

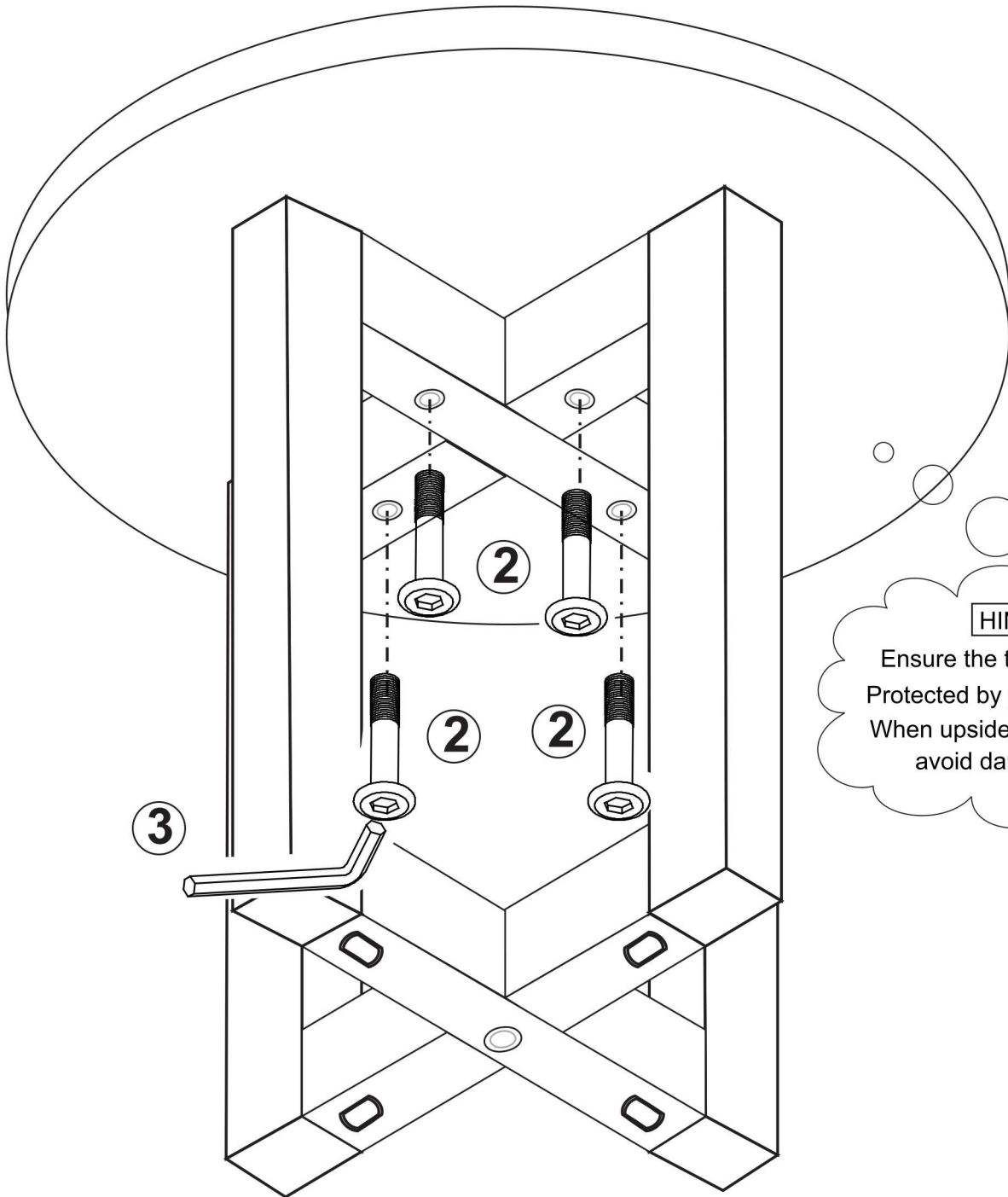
tighten bolt



Step 5



Step 6



HINT
Ensure the top is
Protected by packaging
When upside down to
avoid damage