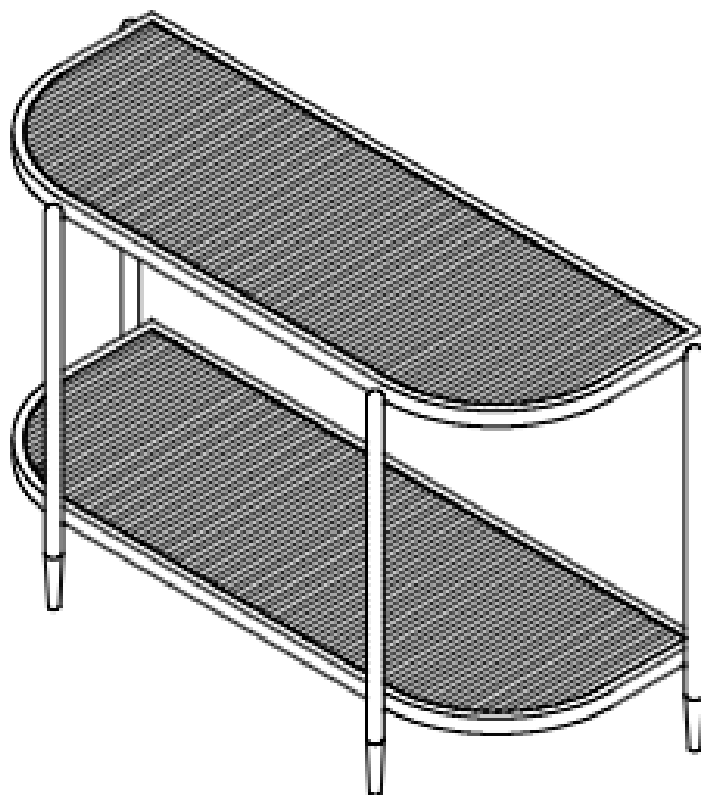


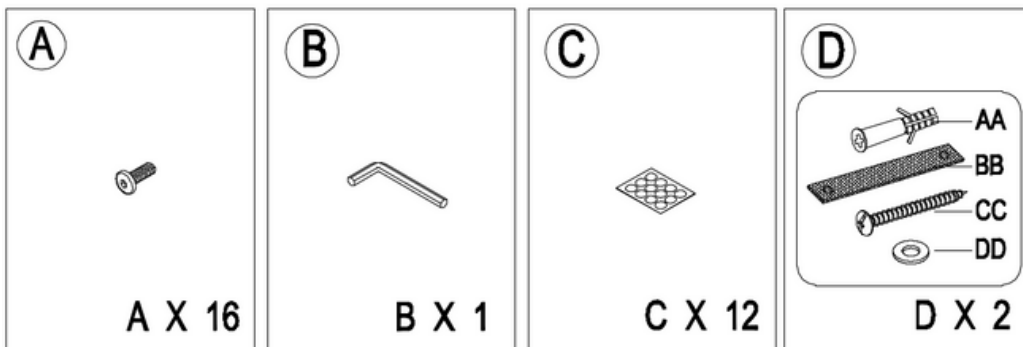
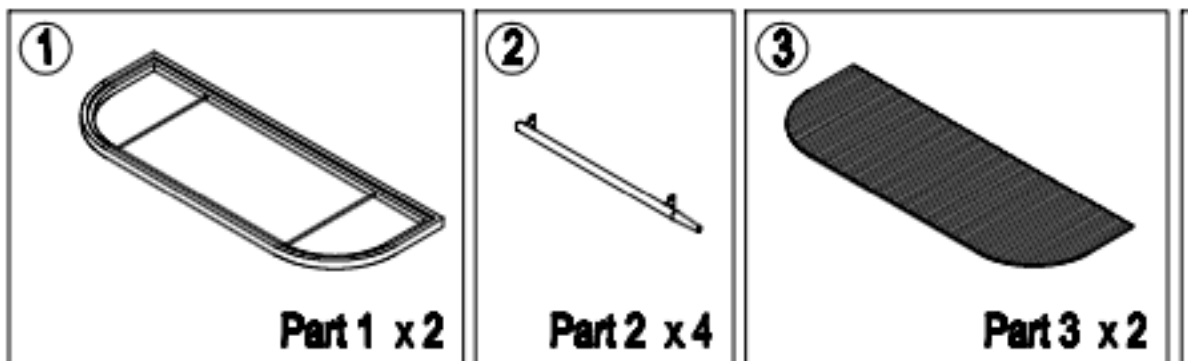
# GATSBY/LEO CONSOLE



## ASSEMBLY GUIDE

WE RECOMMEND SHARING THE ASSEMBLY  
WITH A SECOND PERSON

# CONTENTS

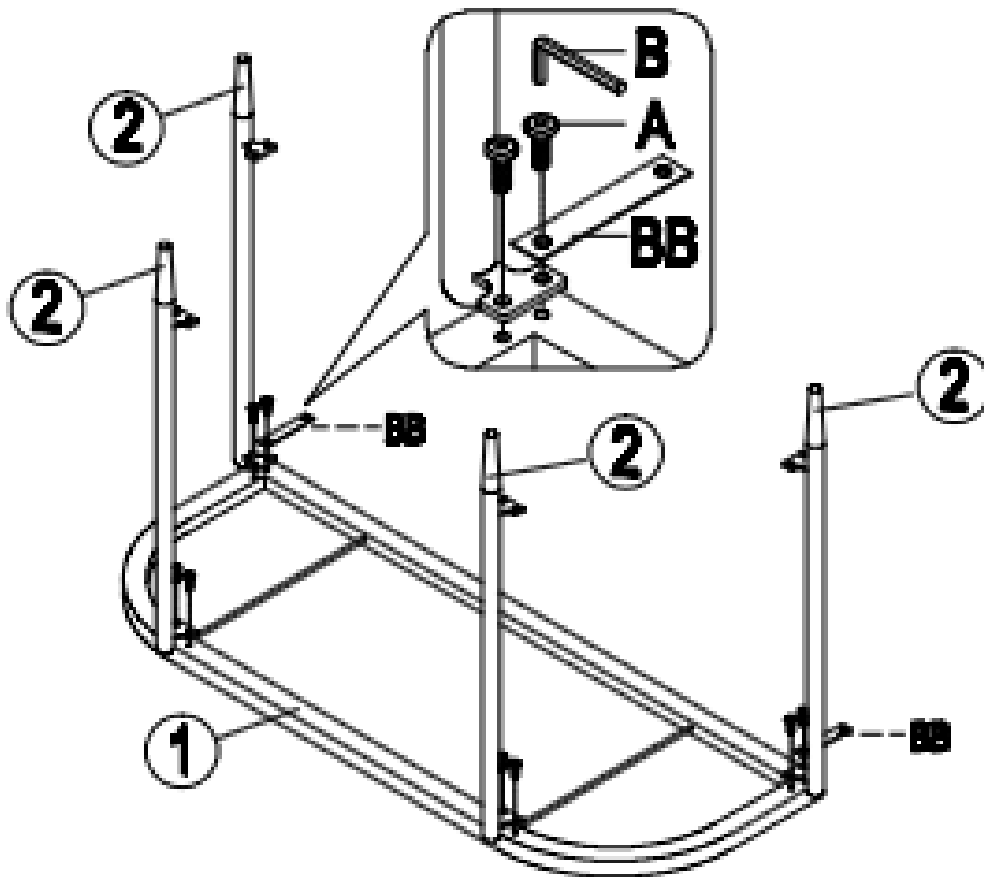


WE WANT TO BE KINDER TO THE  
ENVIRONMENT. THAT IS WHY WE HAVE  
CHOSEN TO USE LITTLE TO NO PLASTIC.

PLEASE REUSE OR RECYCLE ALL  
CARDBOARD PACKAGING.

# ASSEMBLY STEPS

## STEP 1

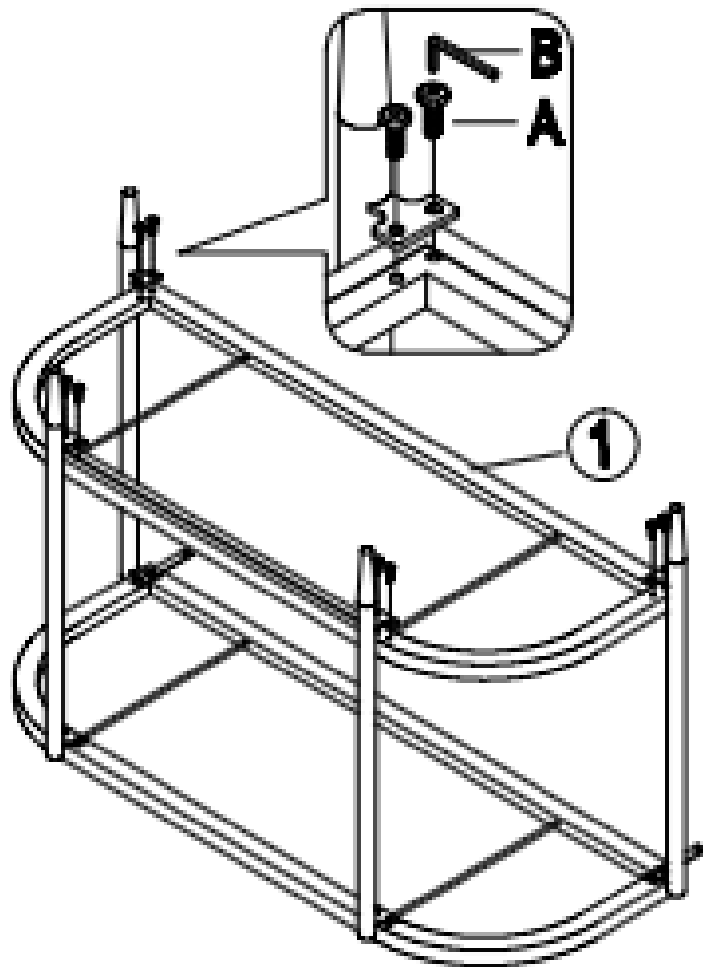


NOTE: ALWAYS USE A CLEAN AND PROTECTIVE SURFACE TO PREVENT DAMAGING THE TABLE TOP.

ONLY TIGHTEN SCREWS 50% UNTIL ALL SCREWS ARE IN PLACE

# ASSEMBLY STEPS

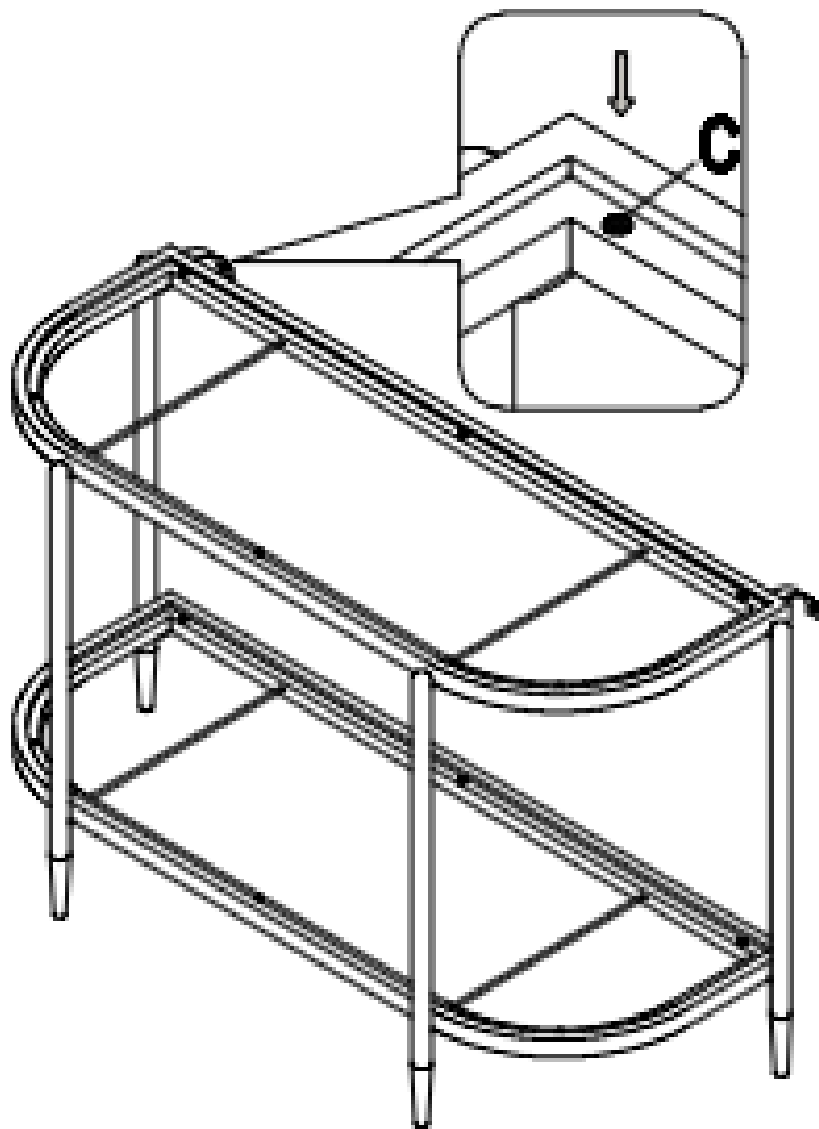
## STEP 2



NOTE: LAST STEP.  
TIGHTEN SCREWS 100% WHEN ALL IN PLACE

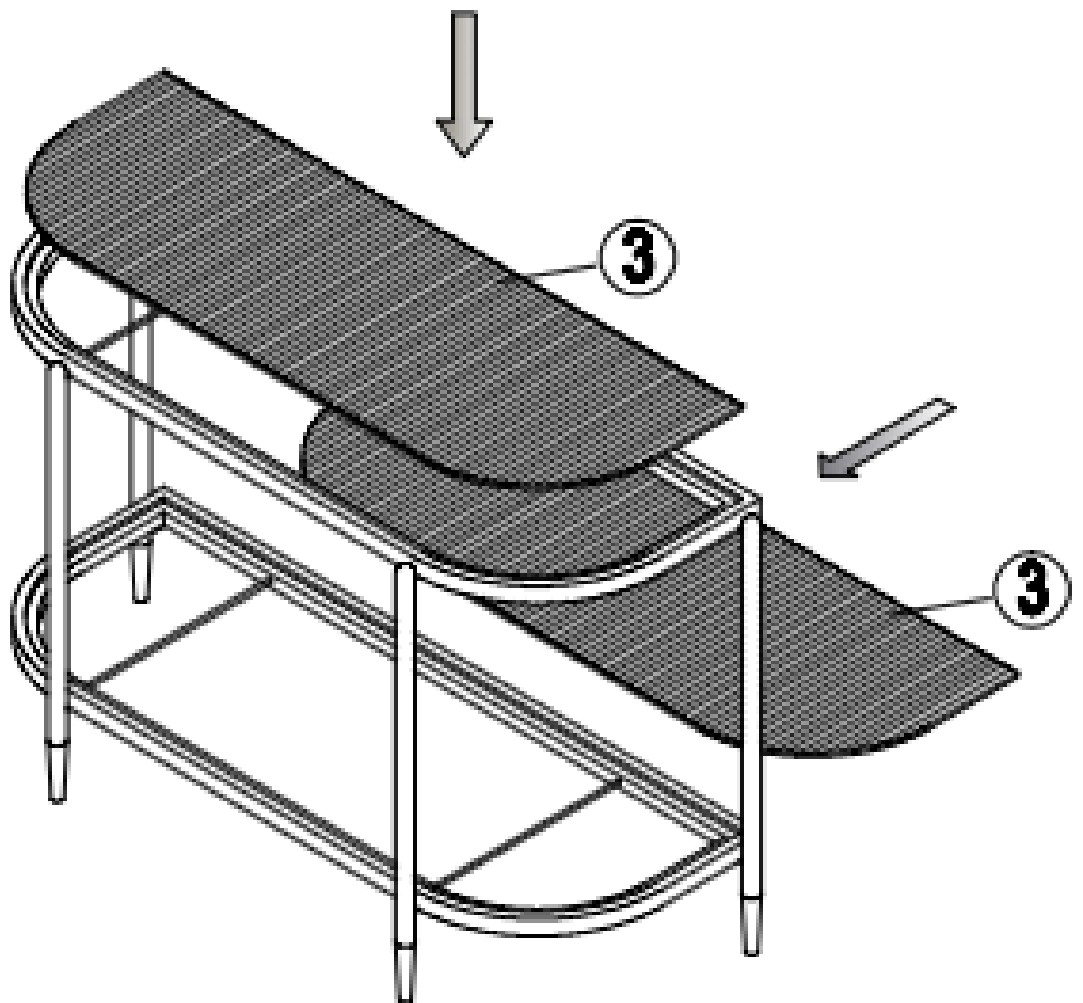
# ASSEMBLY STEPS

## STEP 3



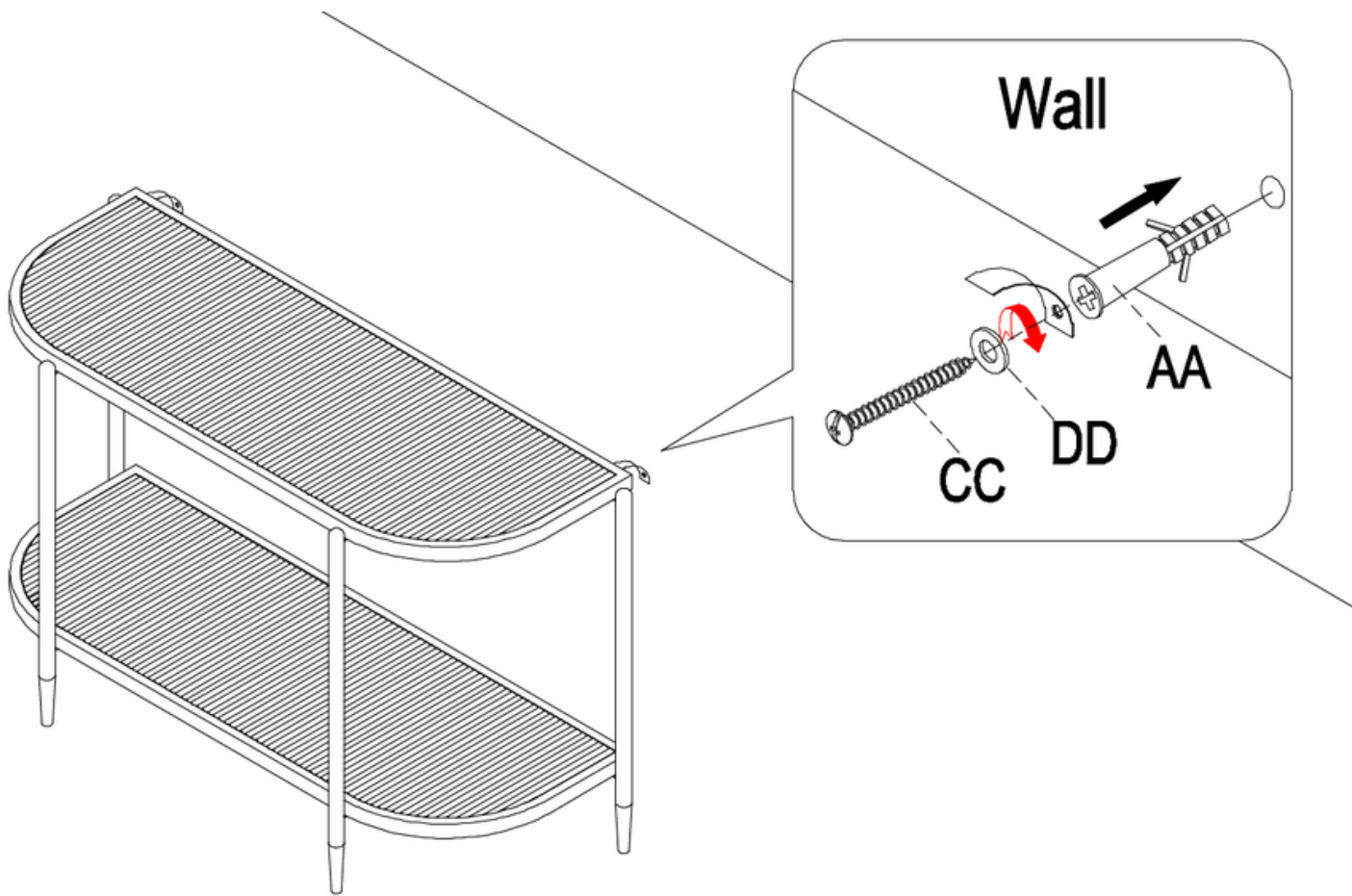
# ASSEMBLY STEPS

## STEP 4



# ASSEMBLY STEPS

## STEP 5



**NOTE: PREVENT TOPPLING BY FASTENING YOUR BOOKCASE TO THE WALL. ALTERNATE WALL ANCHORS MAY BE NEEDED DEPENDING ON THE WALL TYPE.**

# CARE TIPS

NOTE - USE NON-ABRASIVE FURNITURE CLEANERS TO ENSURE YOUR TABLE RECEIVES THE BEST CARE.

- ALWAYS READ THE LABEL OF CLEANING PRODUCTS TO ENSURE SUITABILITY BEFORE USING.
- MILD CLEANING PRODUCTS CAN BE SAFELY APPLIED TO THE METAL'S SURFACE. JUST BE SURE TO WIPE THE SOLUTION WITH A CLEAN, SOFT CLOTH.
- GLASS CAN BE CLEANED WITH A SOFT CLOTH AND GLASS CLEANER, OR WITH A MICROFIBER GLASS CLEANING CLOTH.
- USE COASTERS OR PLACEMATS TO PREVENT SCRATCHES ON THE GLASS.
- TAKE CARE WHEN HANDLING GLASS. DO NOT SIT, STAND OR LEAN ON THE GLASS. DO NOT PLACE THE GLASS DIRECTLY ONTO HARD SURFACES.

TIP - CHECK THE LEGS REGULARLY AND RETIGHTEN IF NECESSARY.