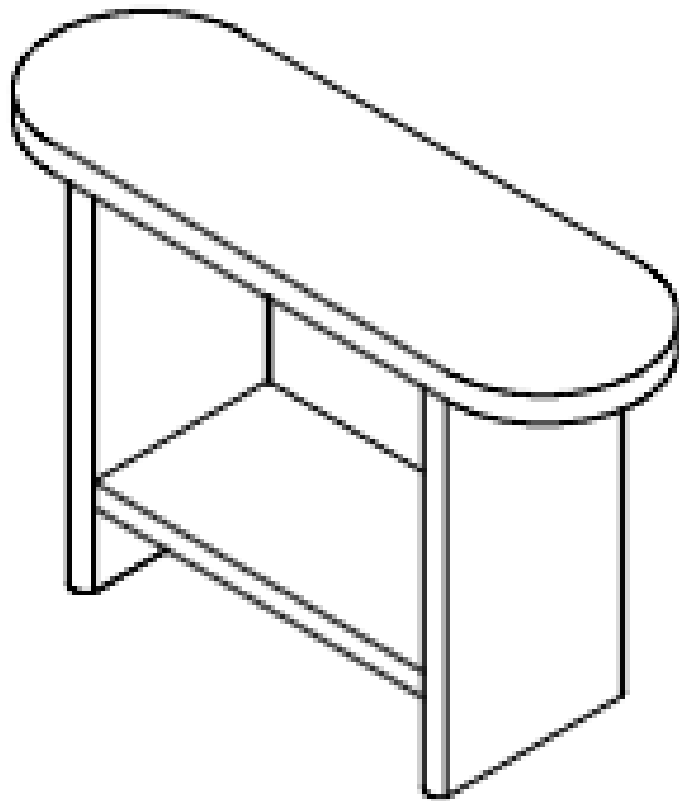


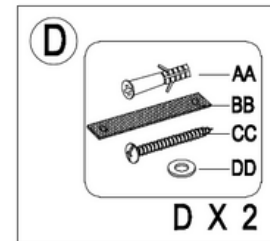
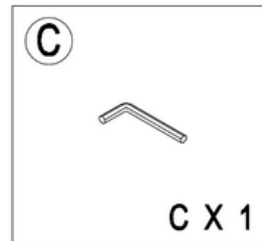
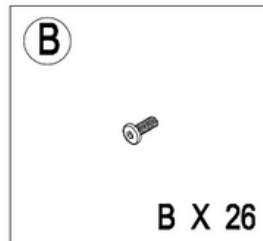
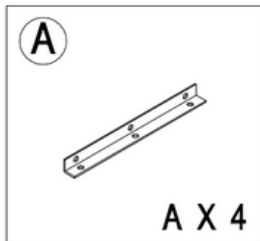
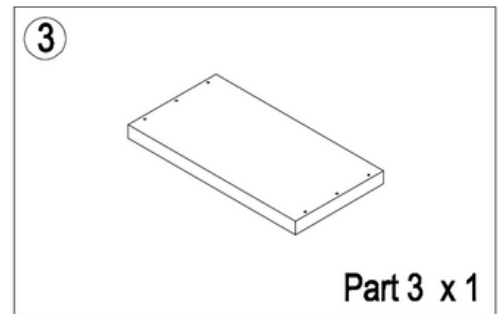
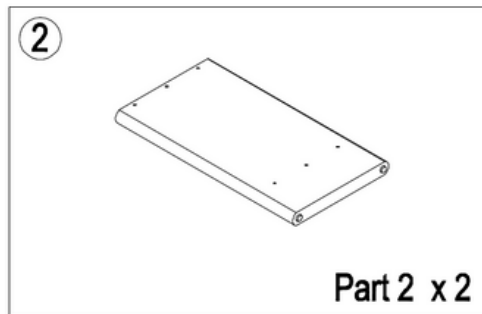
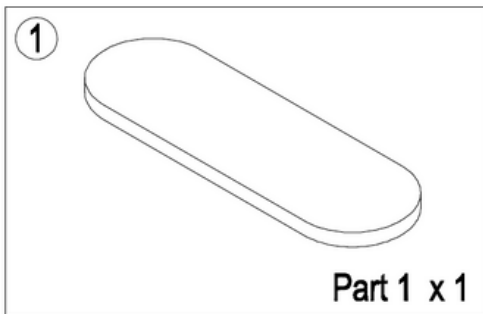
# DELOS CONSOLE TABLE



## ASSEMBLY GUIDE

WE RECOMMEND SHARING THE ASSEMBLY  
WITH A SECOND PERSON

# CONTENTS

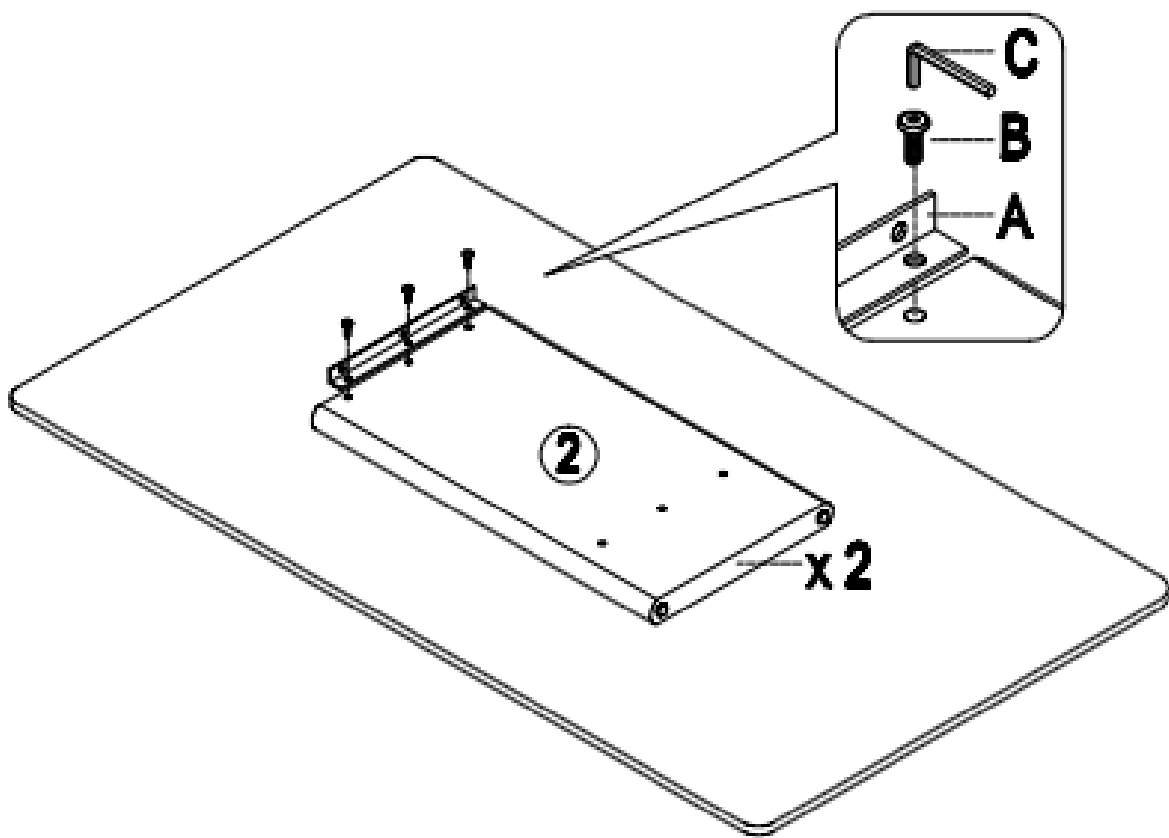


WE WANT TO BE KINDER TO THE  
ENVIRONMENT. THAT IS WHY WE HAVE  
CHOSEN TO USE LITTLE TO NO PLASTIC.

PLEASE REUSE OR RECYCLE ALL  
CARDBOARD PACKAGING.

# ASSEMBLY STEPS

## STEP 1

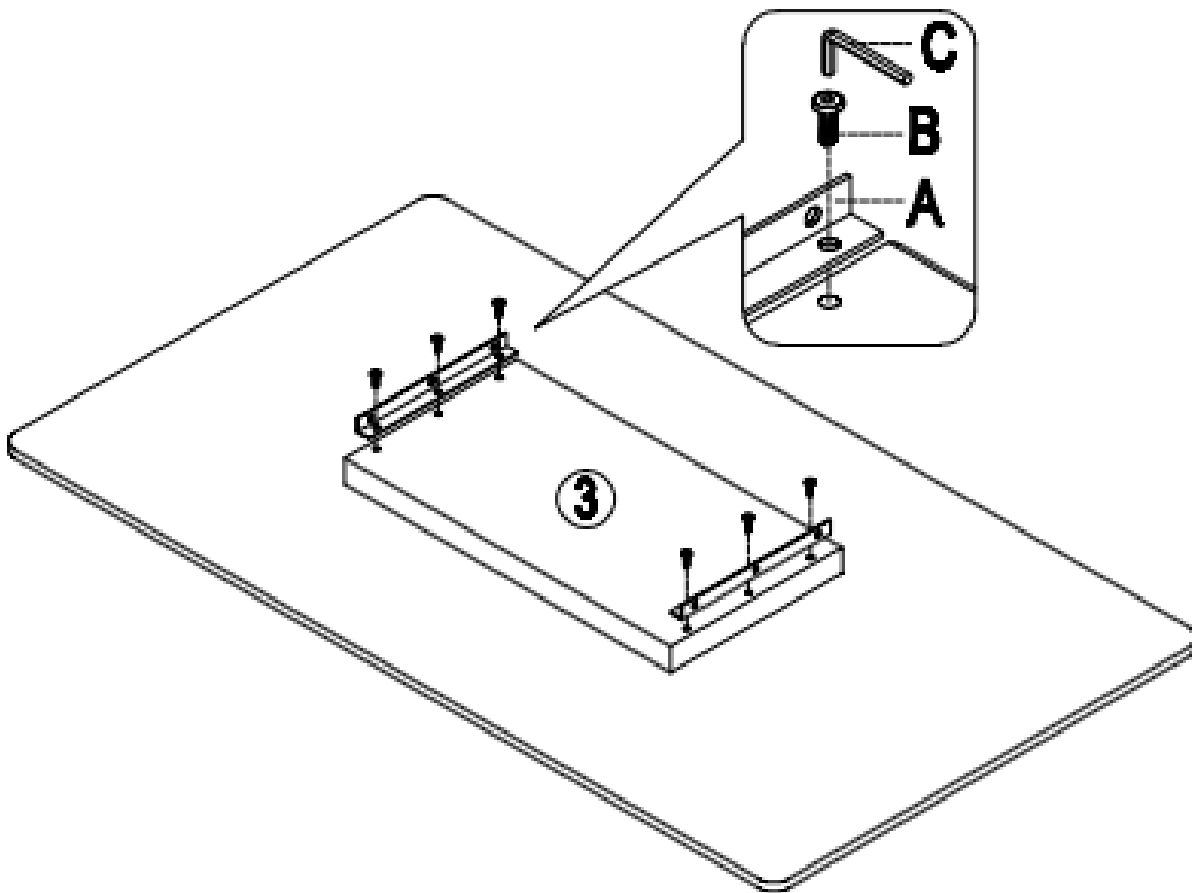


NOTE: ALWAYS USE A CLEAN AND PROTECTIVE SURFACE TO PREVENT DAMAGING THE TABLE TOP.

ONLY TIGHTEN SCREWS 50% UNTIL ALL SCREWS ARE IN PLACE

# ASSEMBLY STEPS

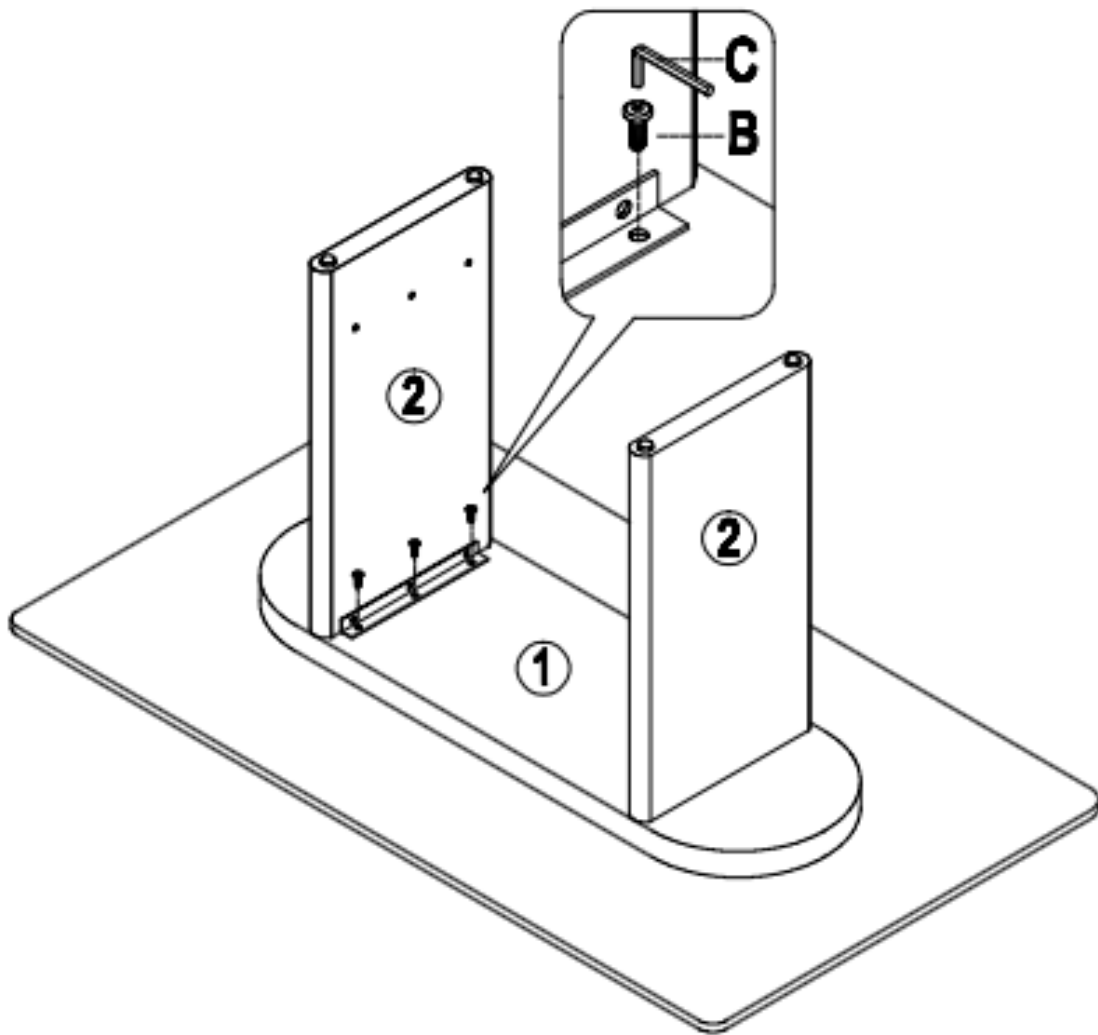
## STEP 2



NOTE: LAST STEP.  
TIGHTEN SCREWS 100% WHEN ALL IN PLACE

# ASSEMBLY STEPS

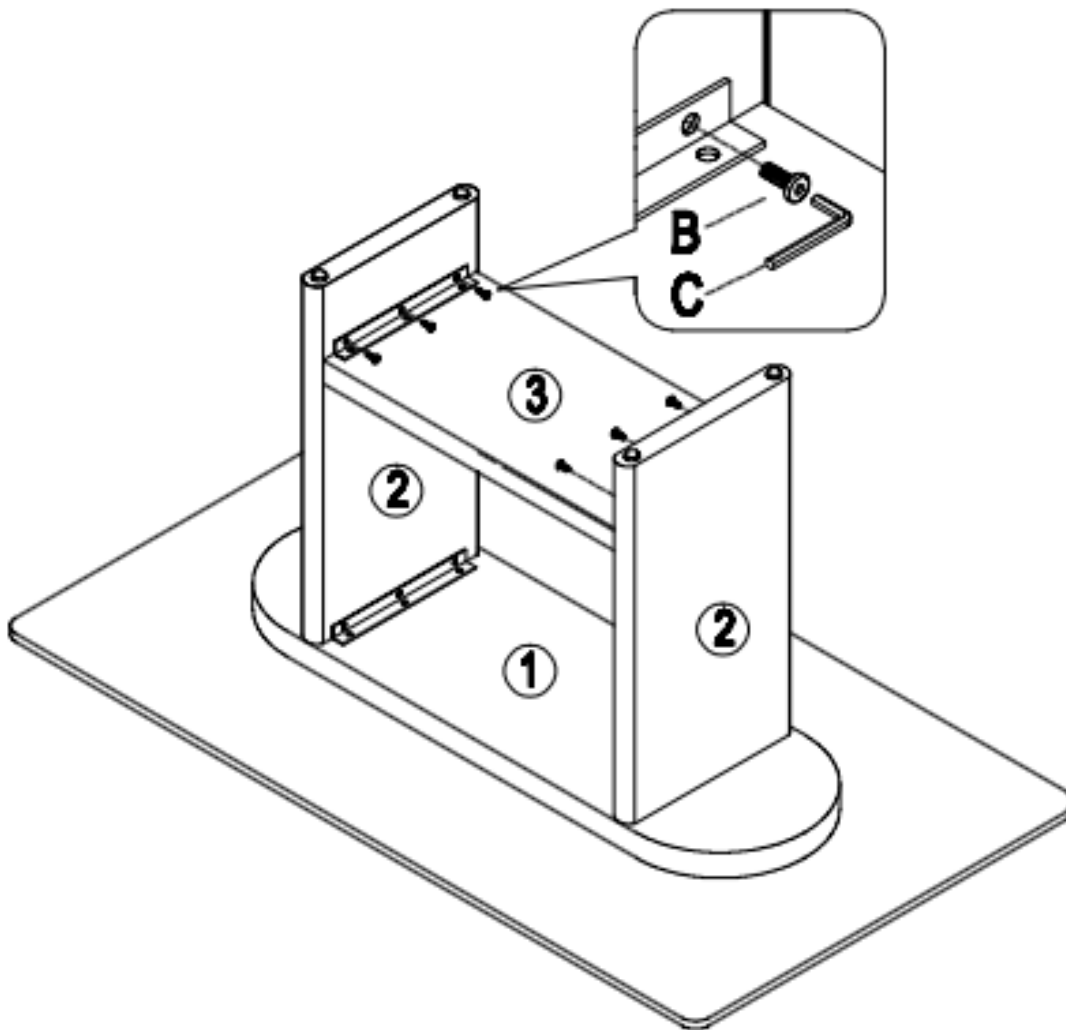
## STEP 3



NOTE: LAST STEP.  
TIGHTEN SCREWS 100% WHEN ALL IN PLACE

# ASSEMBLY STEPS

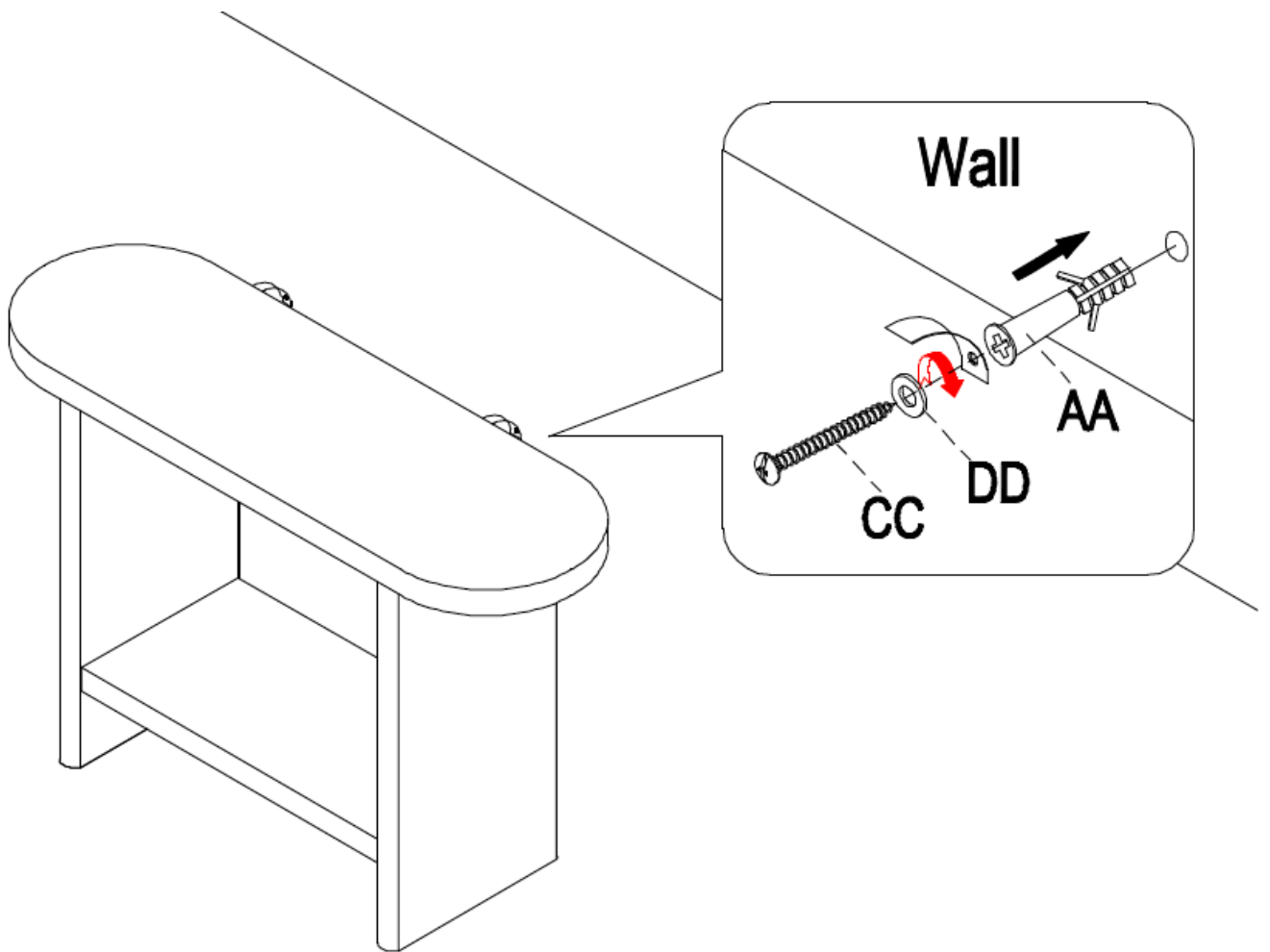
## STEP 4



NOTE: LAST STEP.  
TIGHTEN SCREWS 100% WHEN ALL IN PLACE

# ASSEMBLY STEPS

## STEP 5



**NOTE: PREVENT TOPPLING BY FASTENING YOUR BOOKCASE TO THE WALL. ALTERNATE WALL ANCHORS MAY BE NEEDED DEPENDING ON THE WALL TYPE.**

# Seek & Ramble

## CARE TIPS

NOTE - USE NON-ABRASIVE FURNITURE CLEANERS TO ENSURE YOUR TABLE RECEIVES THE BEST CARE.

- ALWAYS READ THE LABEL OF CLEANING PRODUCTS TO ENSURE SUITABILITY BEFORE USING.
- SPILLS SHOULD BE SOAKED UP IMMEDIATELY WITH A CLEAN, ABSORBENT SOFT CLOTH OR PAPER TOWEL.
- MILD CLEANING PRODUCTS CAN BE SAFELY APPLIED TO THE TABLE SURFACE. JUST BE SURE TO WIPE THE SOLUTION WITH A CLEAN, SOFT CLOTH.
- AVOID PUTTING ACIDIC MATERIAL, SUCH AS LEMON JUICE, ONTO YOUR TABLETOP.
- KEEP PRODUCT OUT OF DIRECT SUNLIGHT. THE FINISH MAY LIGHTEN OR DEGRADE IF EXPOSED TO HARSH SUNLIGHT.
- WIPE SURFACE WITH A DAMP CLOTH. AVOID THE USE OF HOUSEHOLD CHEMICALS AND CLEANERS.
- SPILLS MUST BE SOAKED UP IMMEDIATELY WITH A CLEAN ABSORBENT CLOTH OR PAPER TOWEL.
- WE RECOMMEND THE USE OF COASTERS AND PLACEMATS TO PREVENT DAMAGE.