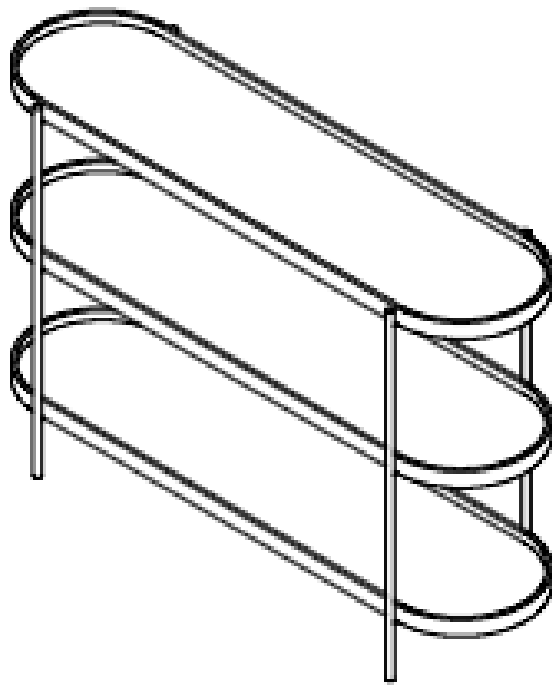


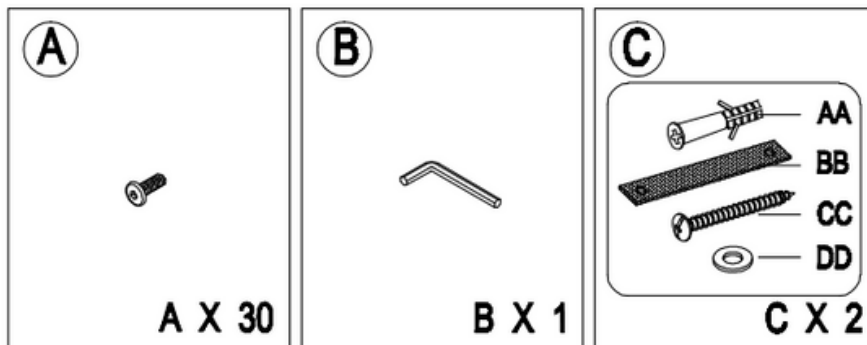
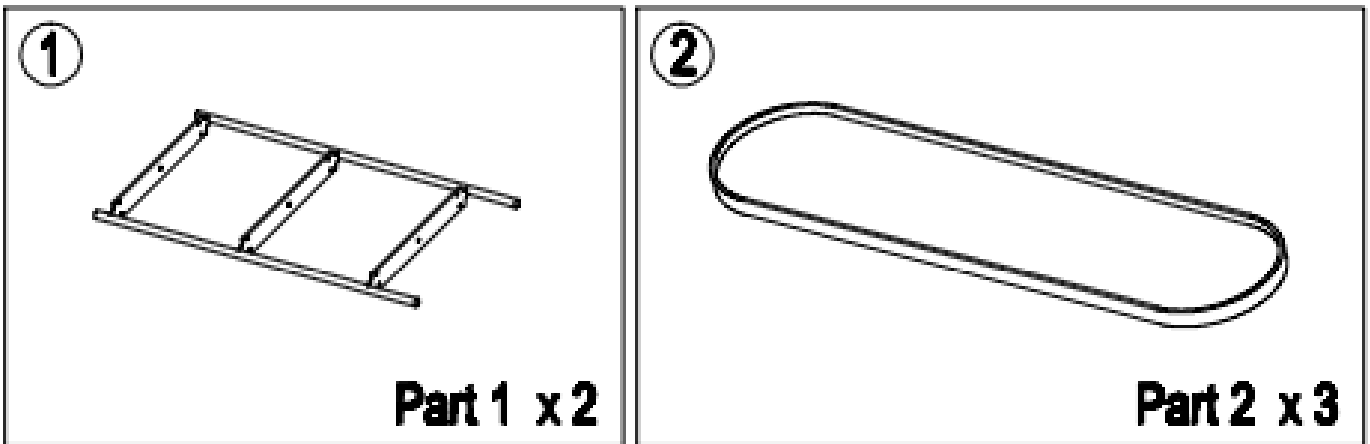
CLEO
BOOKCASE
3-TIER



ASSEMBLY
GUIDE

WE RECOMMEND SHARING THE ASSEMBLY
WITH A SECOND PERSON

CONTENTS

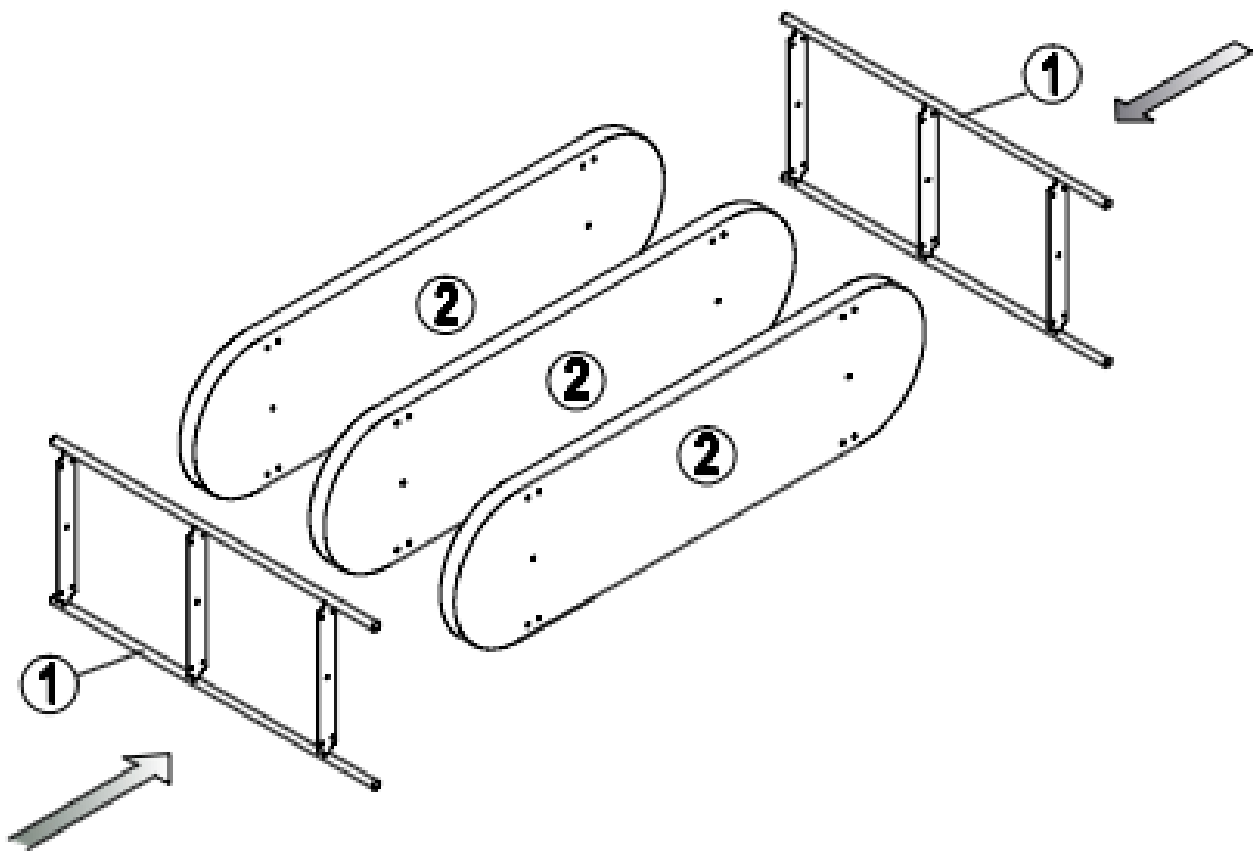


WE WANT TO BE KINDER TO THE
ENVIRONMENT. THAT IS WHY WE HAVE
CHOSEN TO USE LITTLE TO NO PLASTIC.

PLEASE REUSE OR RECYCLE ALL
CARDBOARD PACKAGING.

ASSEMBLY STEPS

STEP 1

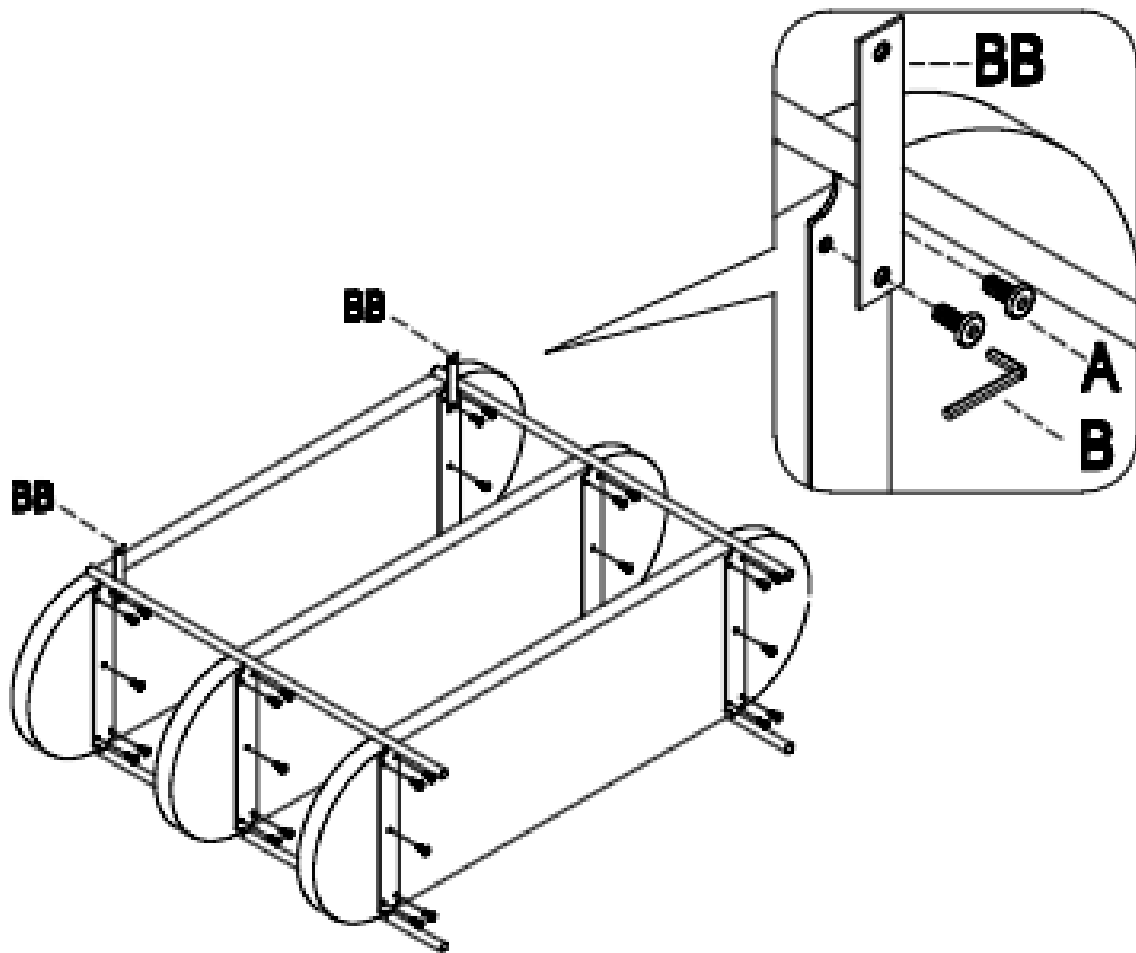


NOTE: ALWAYS USE A CLEAN AND PROTECTIVE SURFACE TO PREVENT DAMAGING THE TABLE TOP.

ONLY TIGHTEN SCREWS 50% UNTIL ALL SCREWS ARE IN PLACE

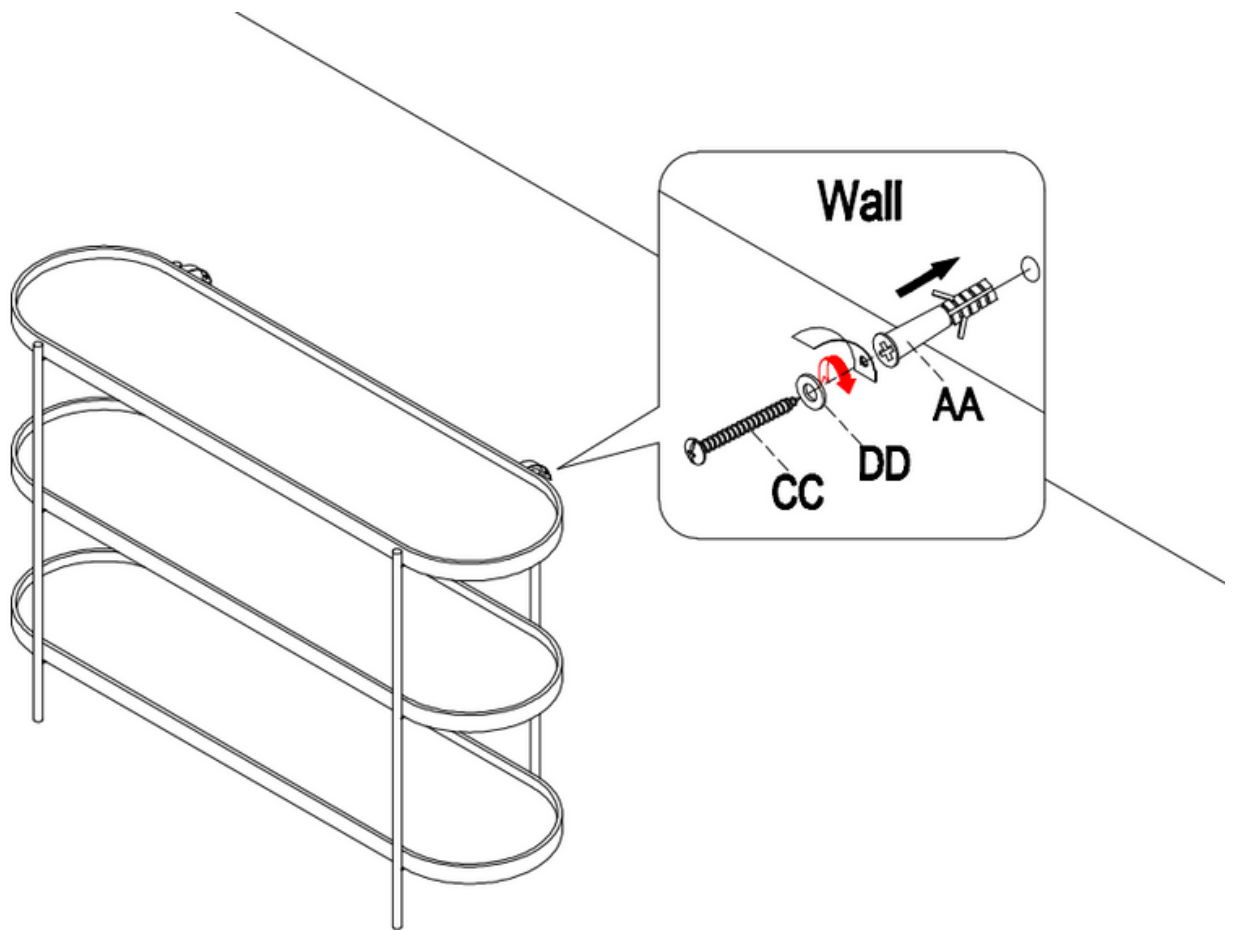
ASSEMBLY STEPS

STEP 2



NOTE: LAST STEP.
TIGHTEN SCREWS 100% WHEN ALL IN PLACE

STEP 3



**NOTE: PREVENT TOPPLING BY FASTENING YOUR BOOKCASE TO THE WALL.
ALTERNATE WALL ANCHORS MAY BE NEEDED DEPENDING ON THE WALL TYPE.**

CARE TIPS

NOTE – USE NON-ABRASIVE FURNITURE CLEANERS TO ENSURE YOUR TABLE RECEIVES THE BEST CARE.

- ALWAYS READ THE LABEL OF CLEANING PRODUCTS TO ENSURE SUITABILITY BEFORE USING.
- SPILLS SHOULD BE SOAKED UP IMMEDIATELY WITH A CLEAN, ABSORBENT SOFT CLOTH OR PAPER TOWEL.
- MILD CLEANING PRODUCTS CAN BE SAFELY APPLIED TO THE METAL'S SURFACE. JUST BE SURE TO WIPE THE SOLUTION WITH A CLEAN, SOFT CLOTH.
- AVOID PUTTING ACIDIC MATERIAL, SUCH AS LEMON JUICE, ONTO YOUR TABLETOP.
- KEEP PRODUCT OUT OF DIRECT SUNLIGHT. THE TIMBER VENEER OR WOOD WILL LIGHTEN AND SURFACE FINISHES MAY DEGRADE IF EXPOSED TO BRIGHT SUNLIGHT.
- WIPE TIMBER VENEER OR WOOD WITH A DAMP CLOTH. AVOID THE USE OF HOUSEHOLD CHEMICALS AND CLEANERS.
- SPILLS MUST BE SOAKED UP IMMEDIATELY WITH A CLEAN ABSORBENT CLOTH OR PAPER TOWEL.
- WE RECOMMEND THE USE OF COASTERS AND PLACEMATS TO PREVENT DAMAGE.