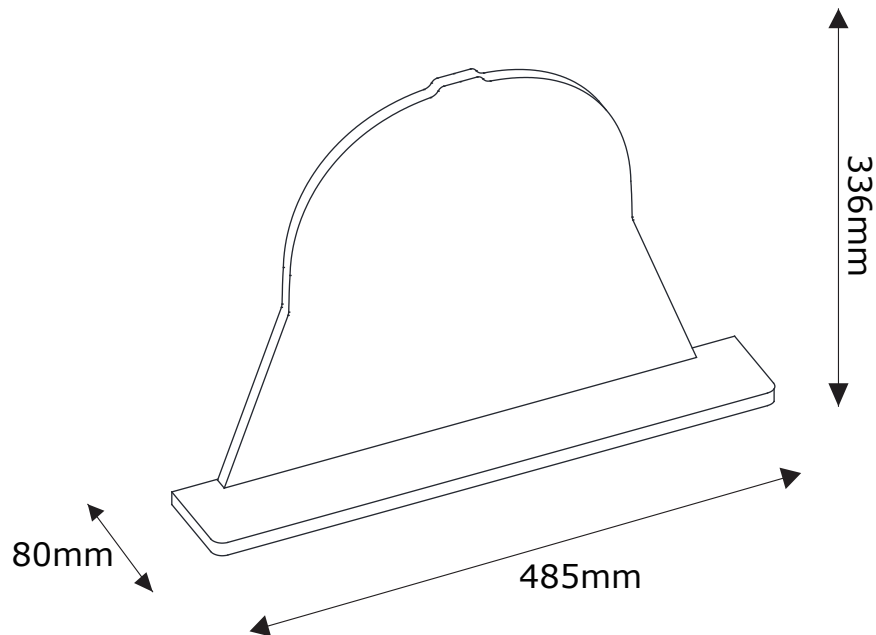


# Assembly Instructions

Star wars DARTH Vader Wall Shelf

521480



## **IMPORTANT!**

### **READ CAREFULLY AND KEEP FOR FUTURE REFERENCE**

Assembly to be carried out by a competent adult only.

During assembly children should be kept away from the product due to the possible risk of injury.

Do not use the furniture if any part is broken, torn or missing and use only spare parts approved by the manufacturer.

Assemble the furniture on a soft level surface to avoid damaging the product or your floor.

We recommend furniture be assembled near where they will be placed, to avoid moving the product unnecessarily once assembled.

If there is a need to move the furniture, please remove all loose items and have extra hands to help lift the furniture to the desired location. Dragging the furniture will damage both the furniture and the floor.

Ensure that fingers and legs are clear of all adjustments when adjusting this product.

Regularly check and re-tighten (if necessary) all bolts on furniture that you have assembled yourself.

This product is suitable for children in the age range 3-12 years.

Maximum weight allowed on product: 2 kg per shelf.

#### **Tools Required**



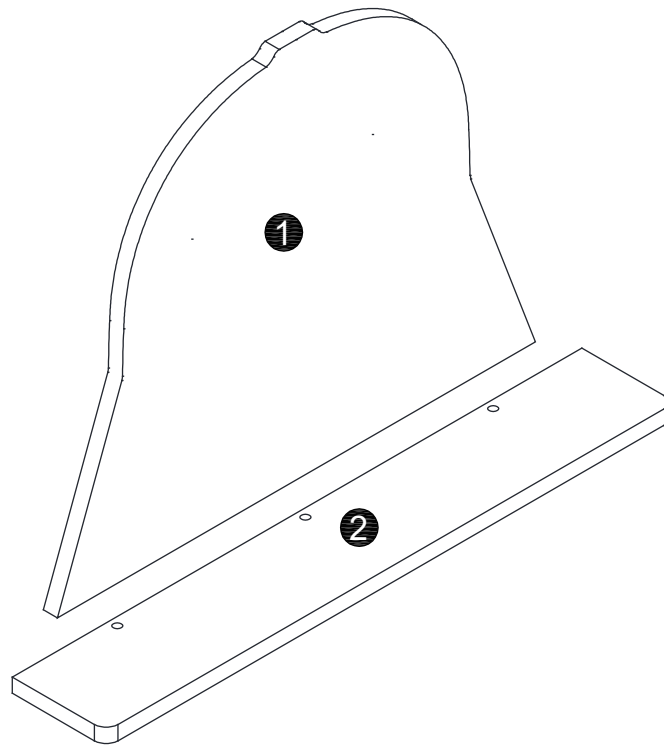
#### **Care and Maintenance of your Furniture**

As wall materials vary, screws for fixing to wall are not included. Please contact your DIY or hardware store for advice on the correct type of screws/rawl plugs for your type of wall.

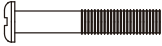



Use a soft cloth that has been dampened in water to clean the surface of this product. Do not use abrasive cleaners, furniture wax or polish on the surface of this product, as it may damage the surface.

**CAUTION: FREQUENT EXPOSURE TO DIRECT SUNLIGHT OR SIMILAR SOURCES MAY CAUSE THE SURFACE TO DISCOLOUR OR FADE.**

# PARTS LIST



# HARDWARE LIST

A x 3  6 x 40 mm	B x 3  10 x 10 mm	C x 2  $\phi$ 25mm	D x 4  3 x 10 mm
---	--	--	---

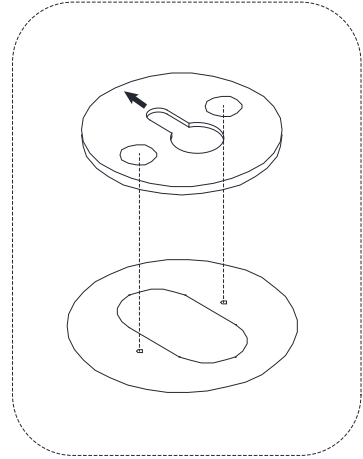
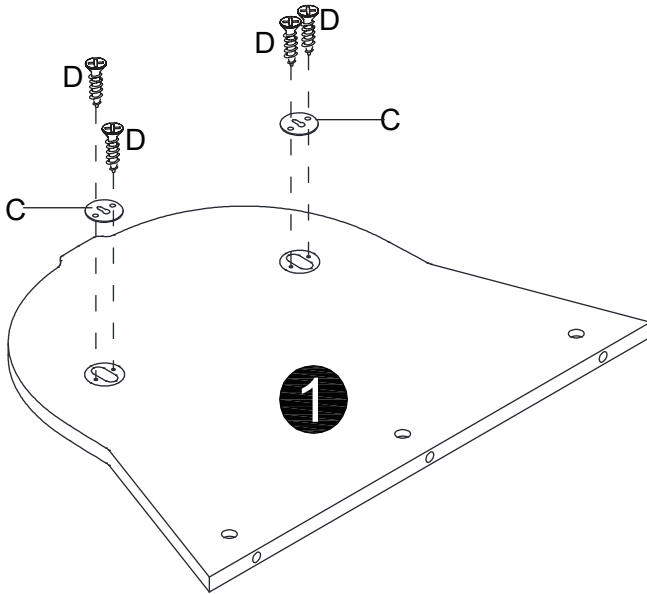
# 1



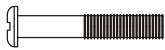
C x 2



D x 4



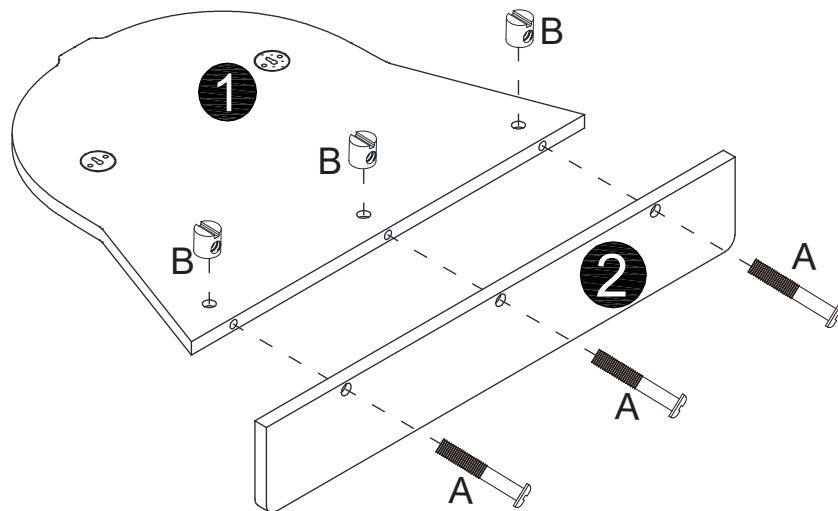
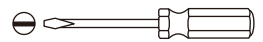
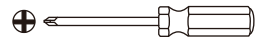
# 2



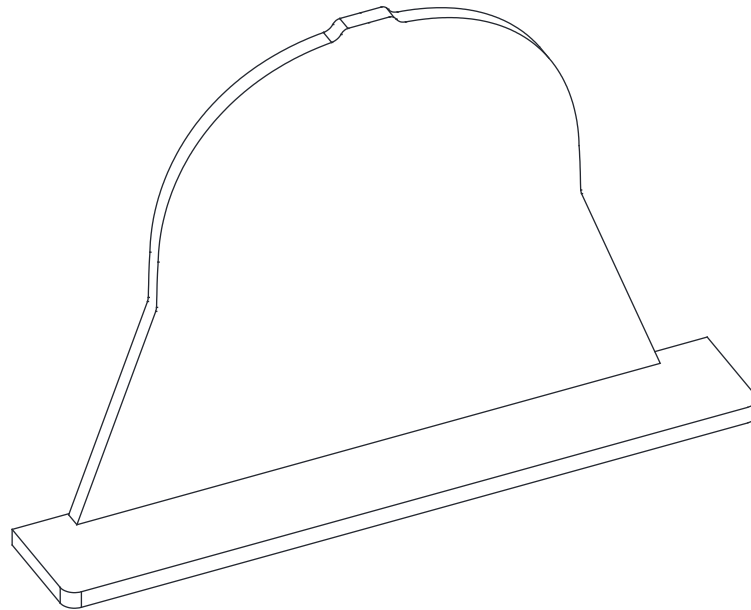
A x 3



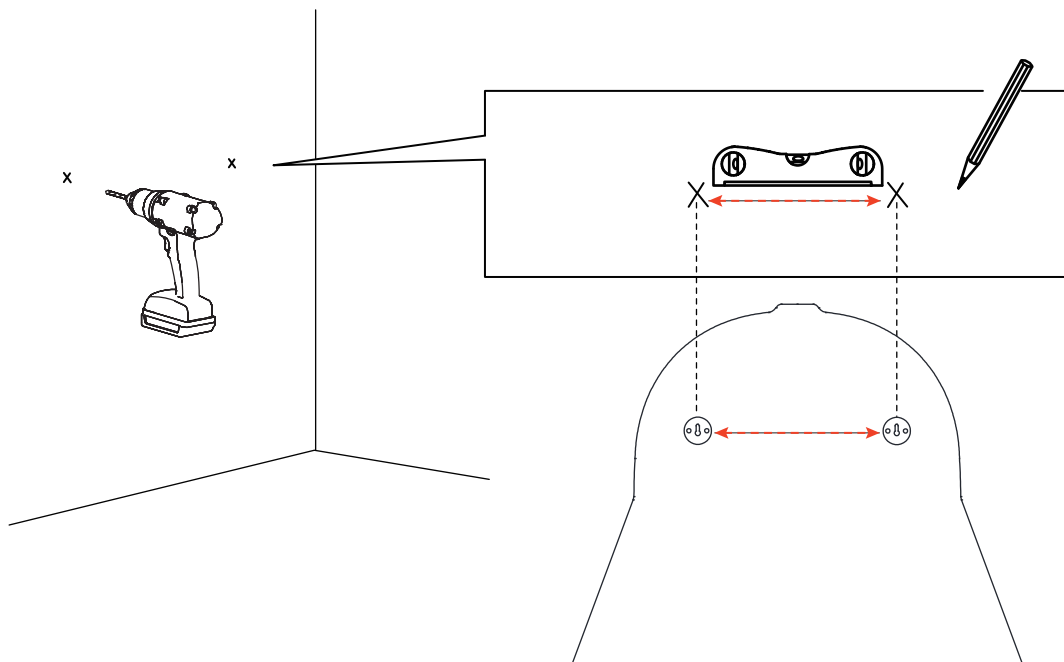
B x 3



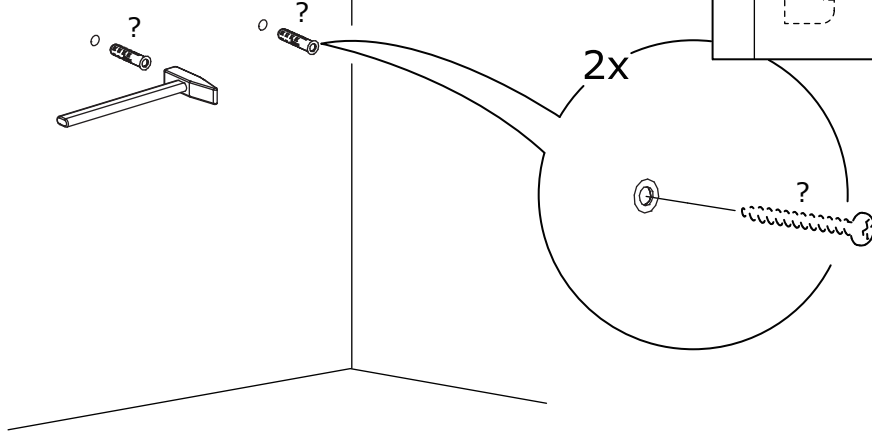
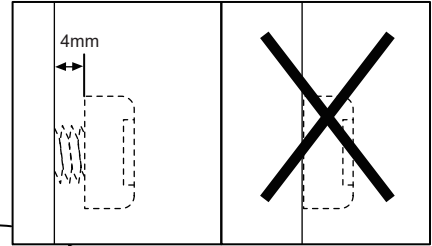
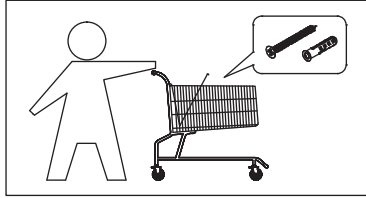
# 3



# 4

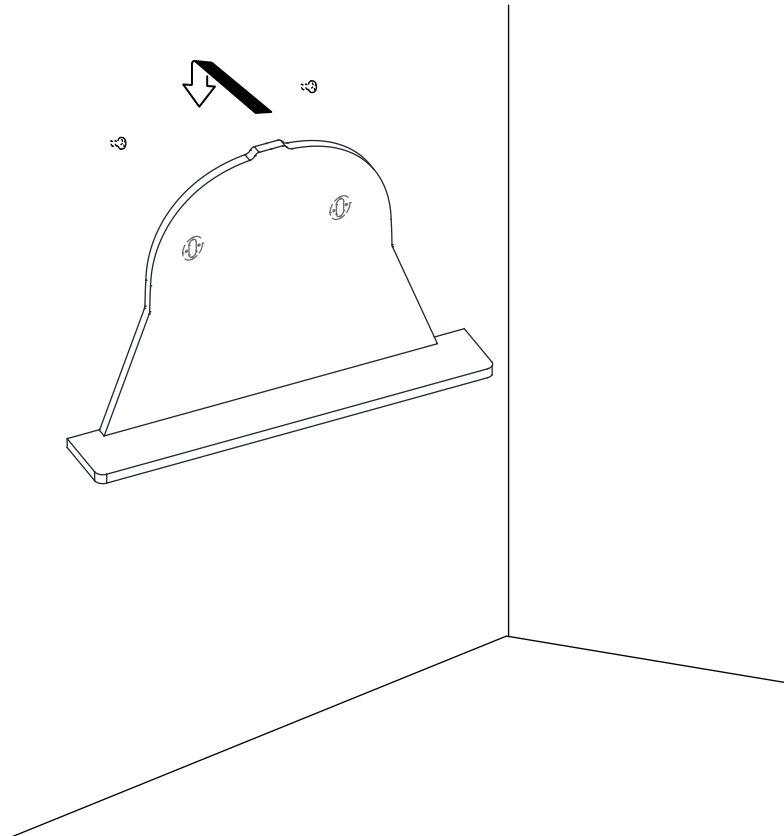


# 5



As wall materials vary, screws for fixing to wall are not included. Please contact your DIY or hardware store for advice on the correct type of screws/rawl plugs for your type of wall.

# 6



7

