

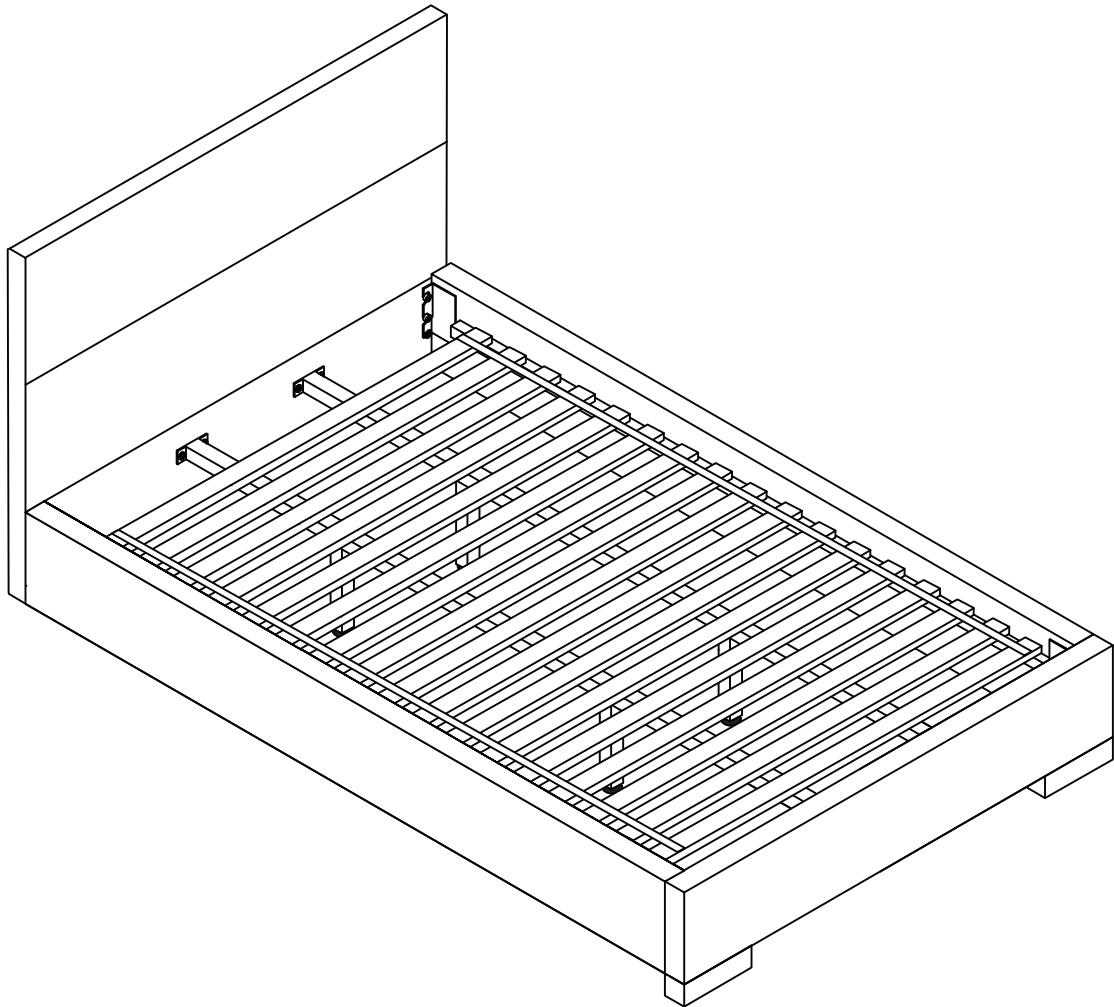
# Baxter Bed King

ASSEMBLY INSTRUCTION

DARCYANDDUKE.COM.AU

  @DARCYANDDUKE

DARCY  
& DUKE

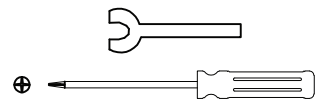


**45 MINS**

APPROXIMATE ASSEMBLY TIME



2 PERON ASSEMBLY



REQUIRED ASSEMBLY TOOLS

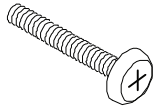
PLEASE NOTE: DO NOT FULLY TIGHTEN ALL SCREWS UNTIL THE ITEM IS ASSEMBLED. FULLY TIGHTEN SCREWS PRIOR TO STEP 5.

PAGE 1 OF 4

# ALL PARTS



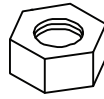
A. BOLTS X 20  
M8 X 40MM



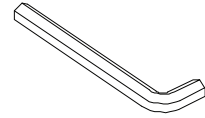
B. BOLTS X 8  
M8 X 45MM



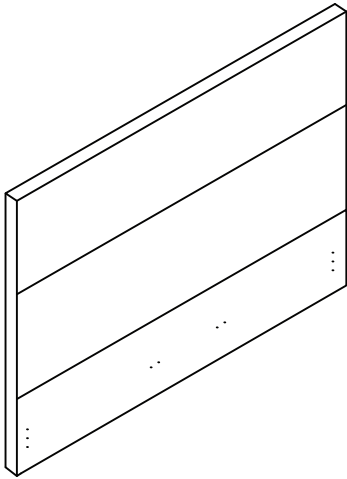
C. WASHER  
X 36 (M8)



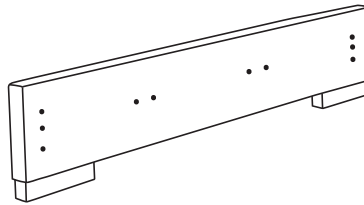
D. NUT X 8 (M8)



E. ALLEN KEY X 1 M8



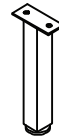
HEADBOARD X 1



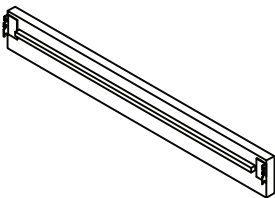
FOOTBOARD X 1



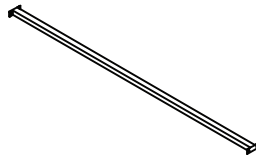
F. BOLTS X 8 M6 X 40MM



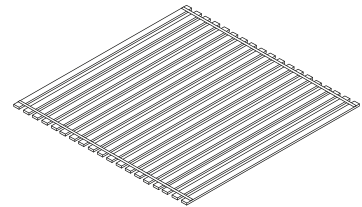
ADJUSTABLE SUPPORT LEG X 4



SIDE RAIL X 2 (R&L)

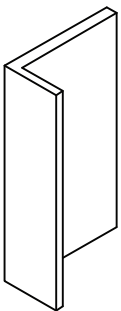


SUPPORT BAR X 2



SLATS X 1

## OPTIONAL PARTS (WITH WINGS ONLY)



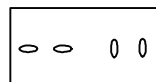
WING X 2 (R & L)



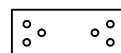
F. BOLTS X 8 X M6 X 40MM



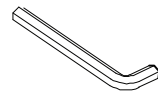
G. TAPPING SCREW X 12



H. WOOD CONNECTING  
BAR X 4

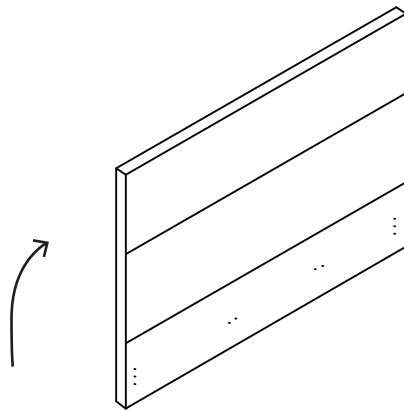


I. METAL CONNECTING  
PLATE X 2



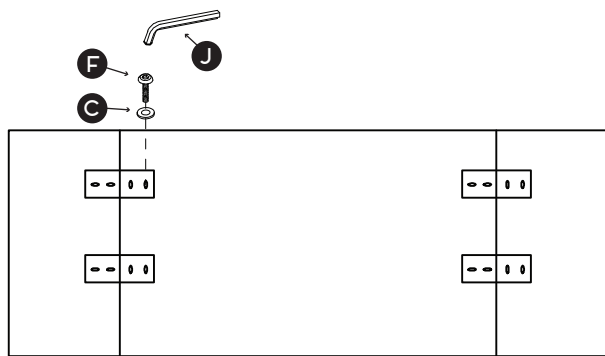
J. ALLEN KEY X 1 M6

**STEP 1**

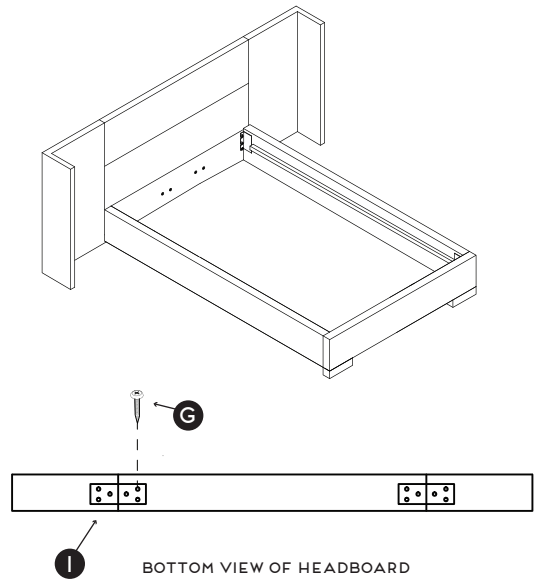


**STAND THE HEADBOARD UPRIGHT**

**STEP 1A (OPTIONAL WITH WINGS ONLY)**



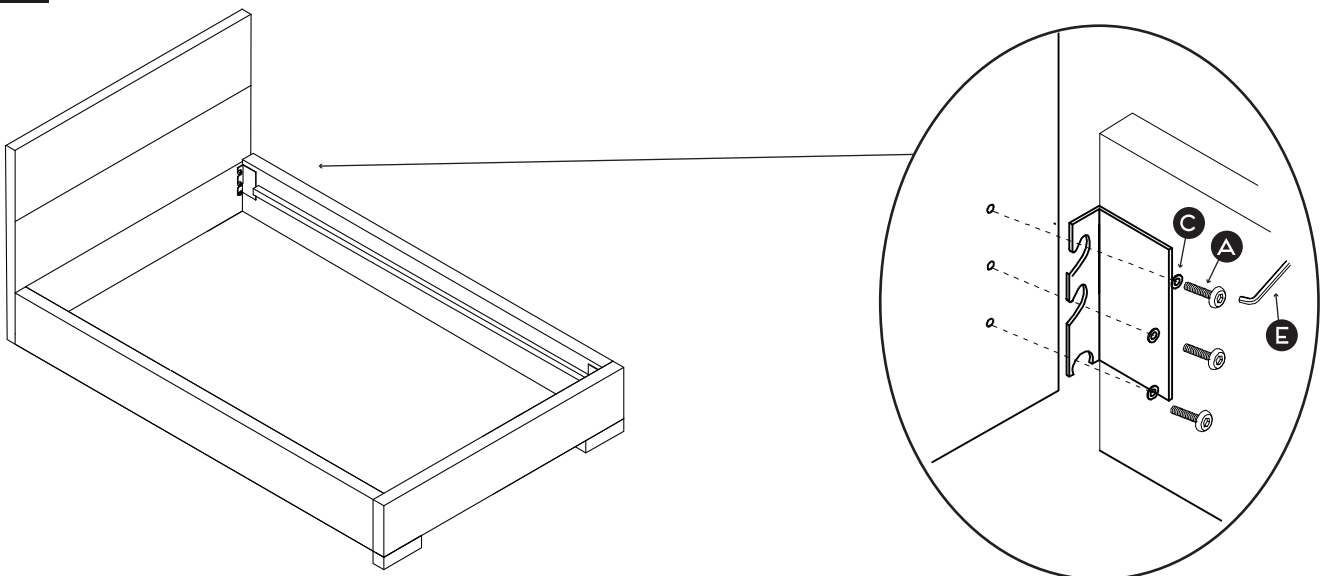
BACK SIDE VIEW OF HEADBOARD



BOTTOM VIEW OF HEADBOARD

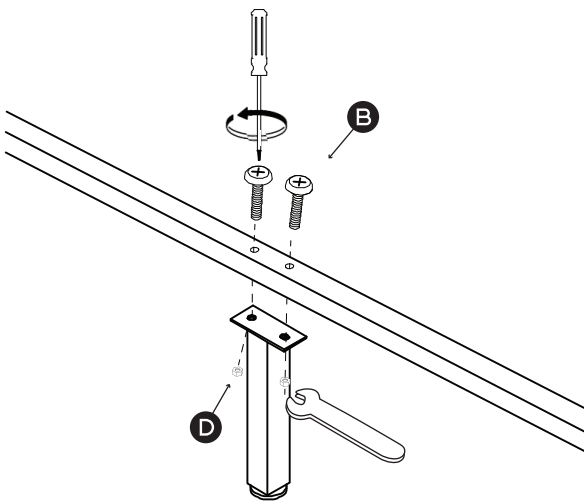
**CONNECT BOTH WINGS TO THE HEADBOARD.  
USE METAL PLATES UNDERNEATH TO STRENGTHEN THE CONNECTION.**

**STEP 2**



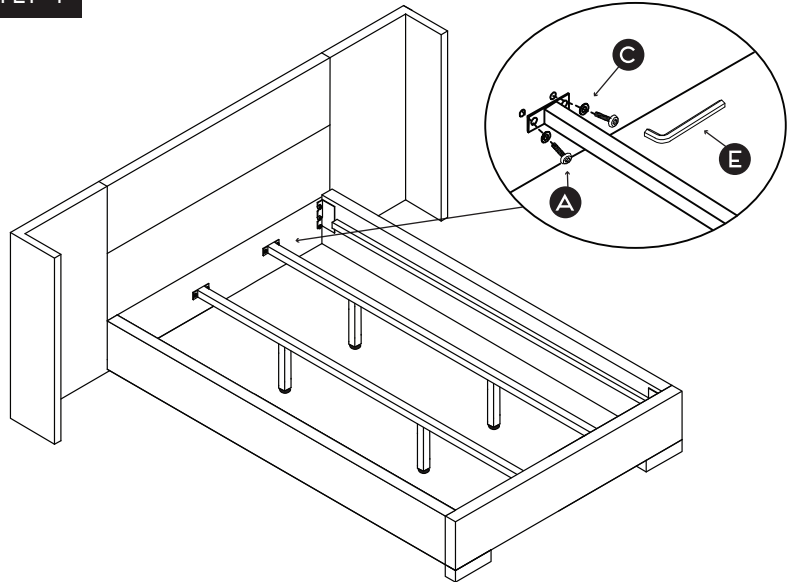
**FIX THE SIDERAILS TO THE HEADBOARD AND FOOTBOARD.**

**STEP 3**



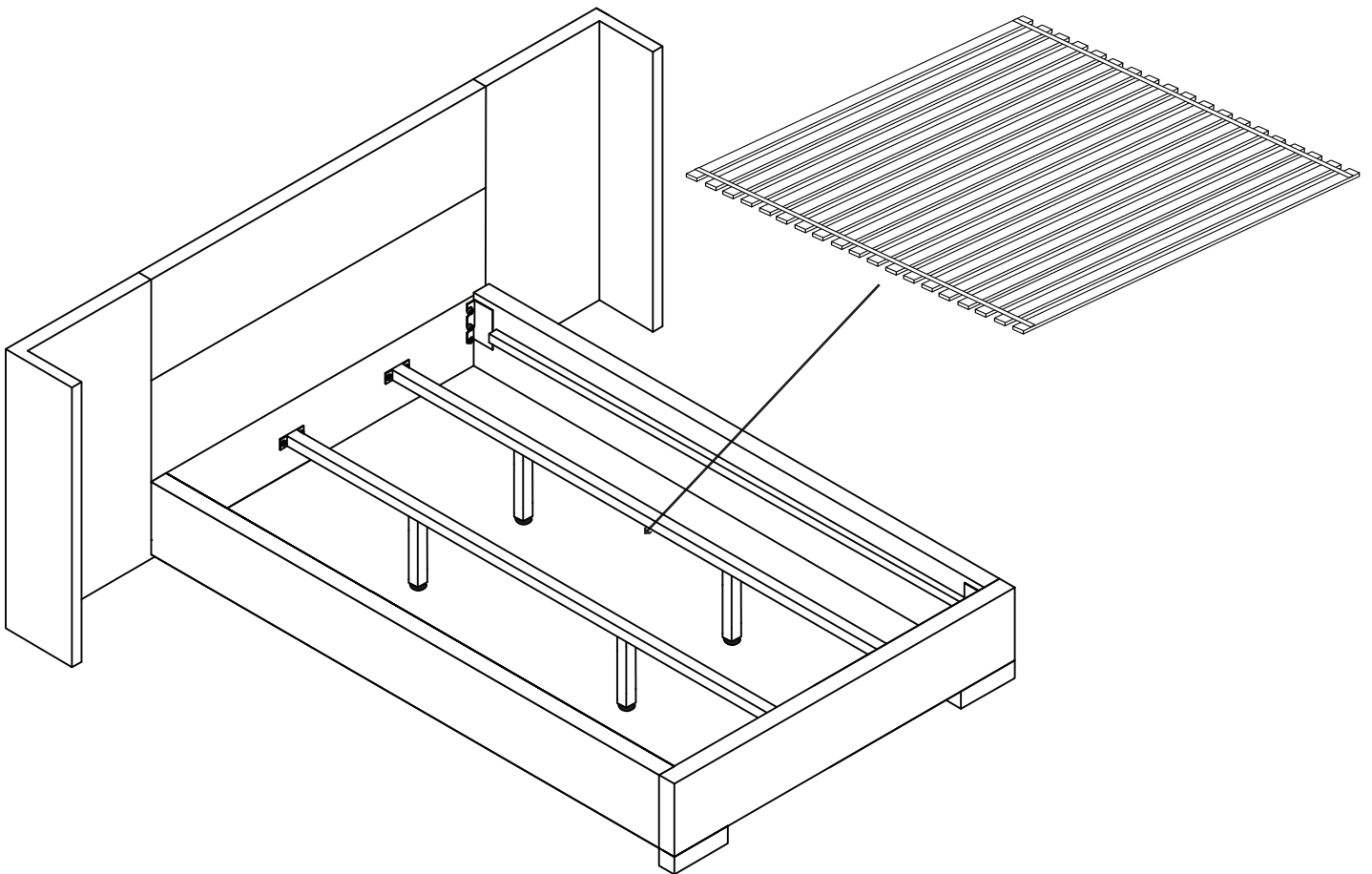
**FIX THE ADJUSTABLE SUPPORT LEGS TO THE SUPPORT BARS.**

**STEP 4**



**FIX THE SUPPORT BARS TO THE HEADBOARD AND FOOTBOARD.**

**STEP 5**



**TIGHTEN ALL BOLTS AND PLACE DOWN SLATS.**