

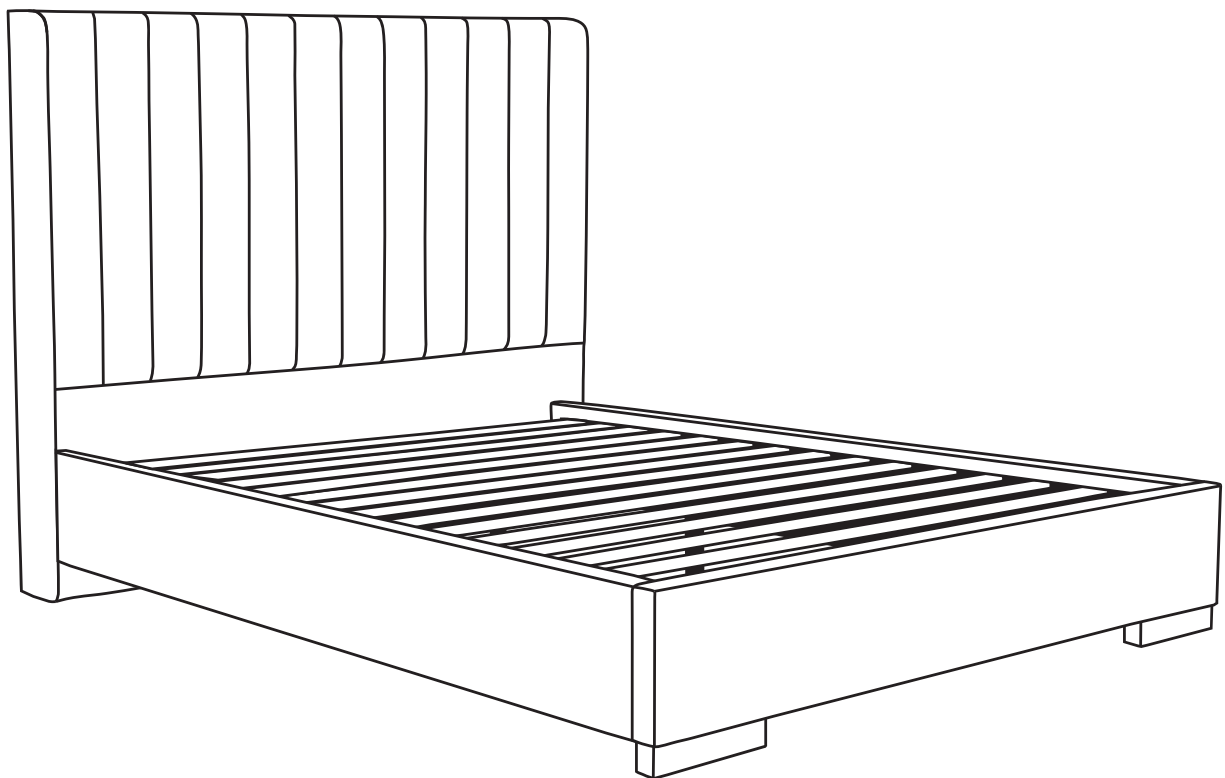
Renee Bed Queen

ASSEMBLY INSTRUCTION

DARCYANDDUKE.COM.AU

  @DARCYANDDUKE

DARCY
& DUKE

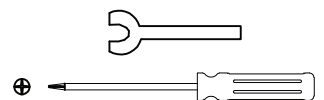


45 MINS

APPROXIMATE ASSEMBLY TIME



2 PERON ASSEMBLY



REQUIRED ASSEMBLY TOOLS

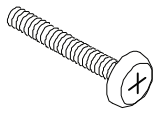
PLEASE NOTE: DO NOT FULLY TIGHTEN ALL SCREWS UNTIL THE ITEM IS ASSEMBLED. FULLY TIGHTEN SCREWS PRIOR TO STEP 5.

PAGE 1 OF 4

ALL PARTS



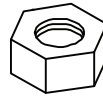
A. BOLTS X 16
M8 X 40MM



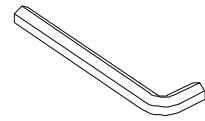
B. BOLTS X 4
M8 X 45MM



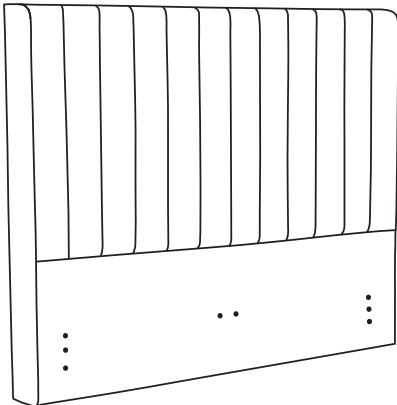
C. WASHER
X 16 (M8)



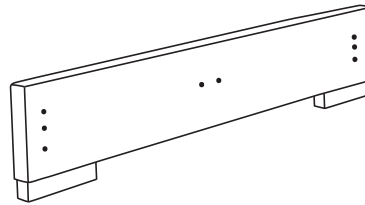
D. NUT X 4 (M8)



E. ALLEN KEY X 1 M8



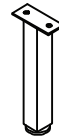
HEADBOARD X 1



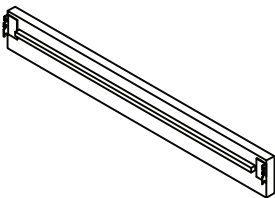
FOOTBOARD X 1



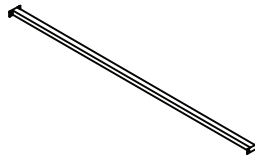
F. BOLTS X 8 M6 X 40MM



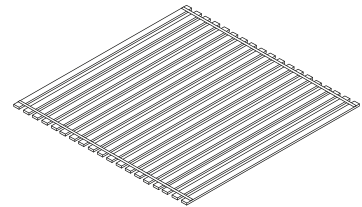
ADJUSTABLE SUPPORT LEG X 2



SIDE RAIL X 2 (R&L)

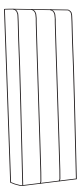


SUPPORT BAR X 1



SLATS X 1

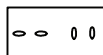
OPTIONAL PARTS (WITH RENEE WINGS ONLY)



(8) WING X 2 (R & L)



F. BOLTS X 8 X M6 X 40MM



H. WOOD CONNECTING
BAR X 4



G. TAPPING SCREW X 12



I. METAL CONNECTING
PLATE X 2



J. ALLEN KEY X 1 M6

OPTIONAL PARTS (WITH LULU WINGS ONLY)



(8) WING X 2 (R & L)



F. BOLTS X 8 X M6 X 40MM

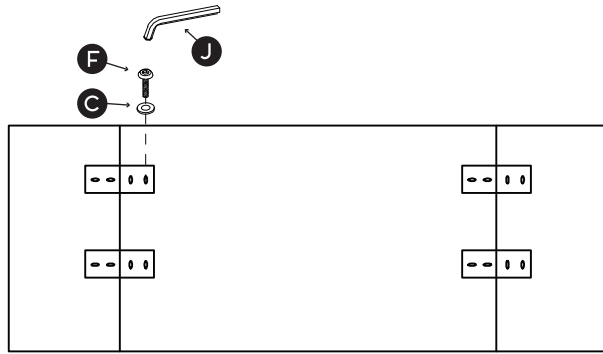


K. METAL CONNECTING
BAR X 4

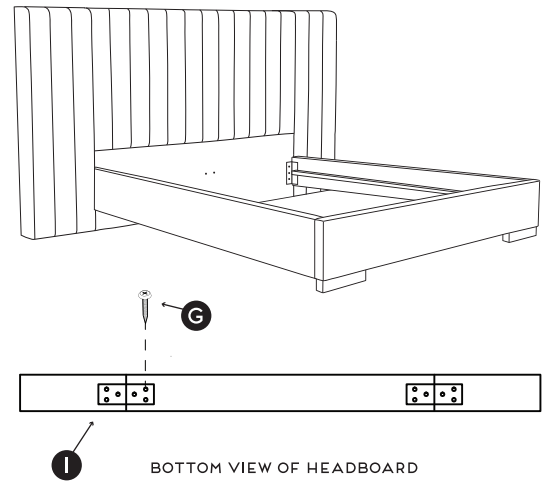


J. ALLEN KEY X 1 M6

STEP 1A (OPTIONAL RENEE WINGS ONLY)



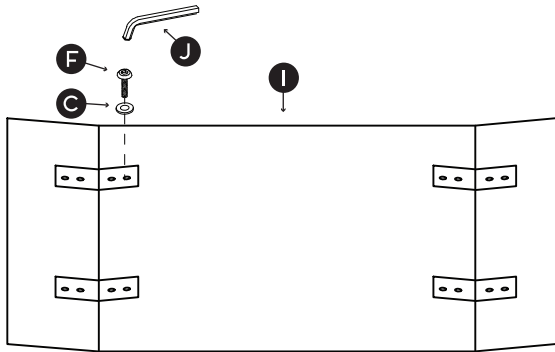
BACK SIDE VIEW OF HEADBOARD



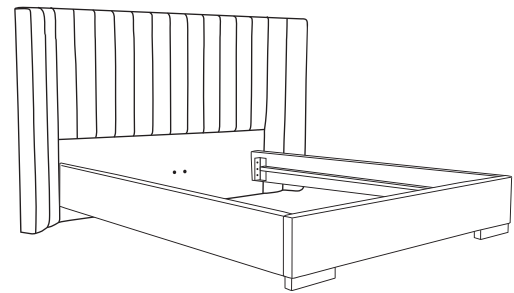
BOTTOM VIEW OF HEADBOARD

**CONNECT BOTH WINGS TO THE HEADBOARD.
USE METAL PLATES UNDERNEATH TO STRENGTHEN THE CONNECTION.**

STEP 1A (OPTIONAL LULU WINGS ONLY)

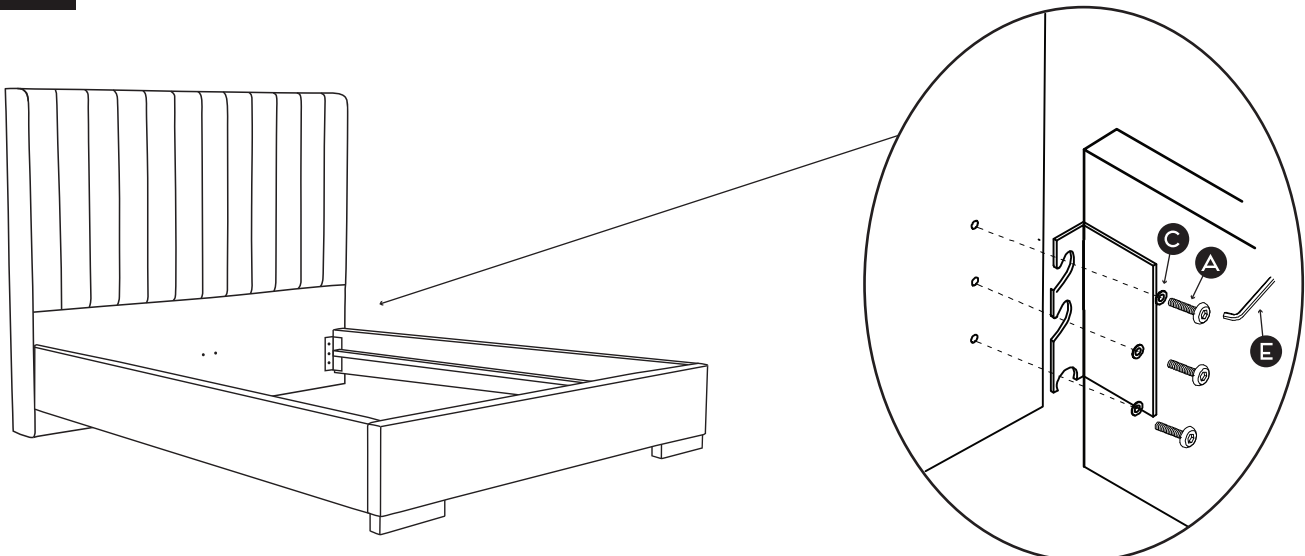


BACK SIDE VIEW OF HEADBOARD



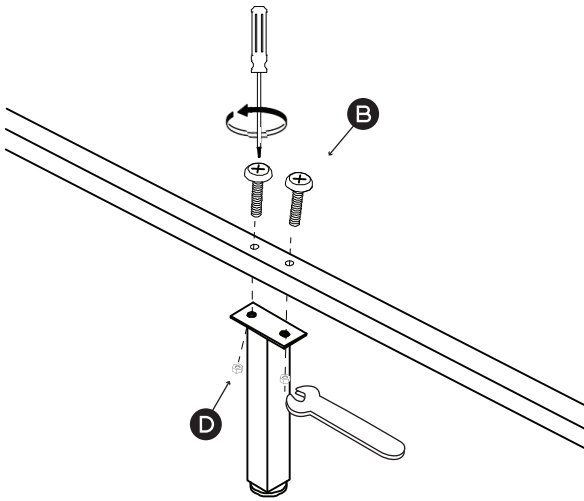
**CONNECT BOTH WINGS TO THE HEADBOARD.
USE METAL PLATES UNDERNEATH TO STRENGTHEN THE CONNECTION.**

STEP 2



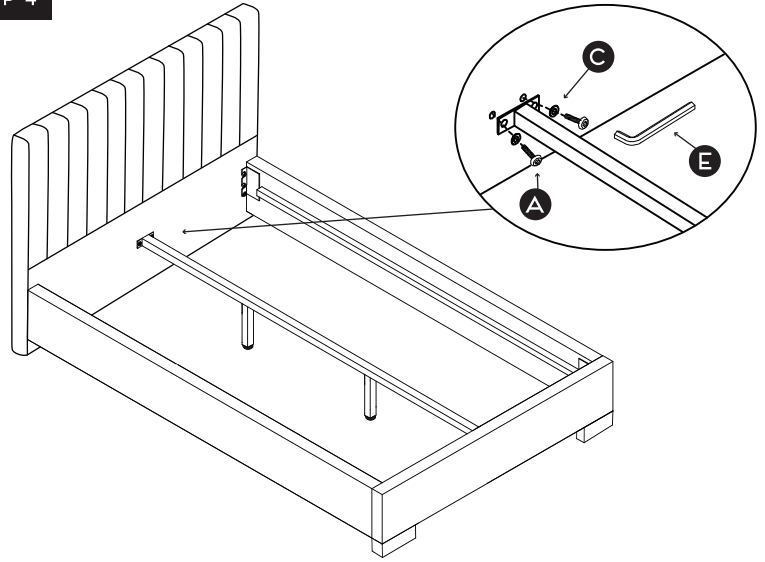
FIX THE SIDERAILS TO THE HEADBOARD AND FOOTBOARD.

STEP 3



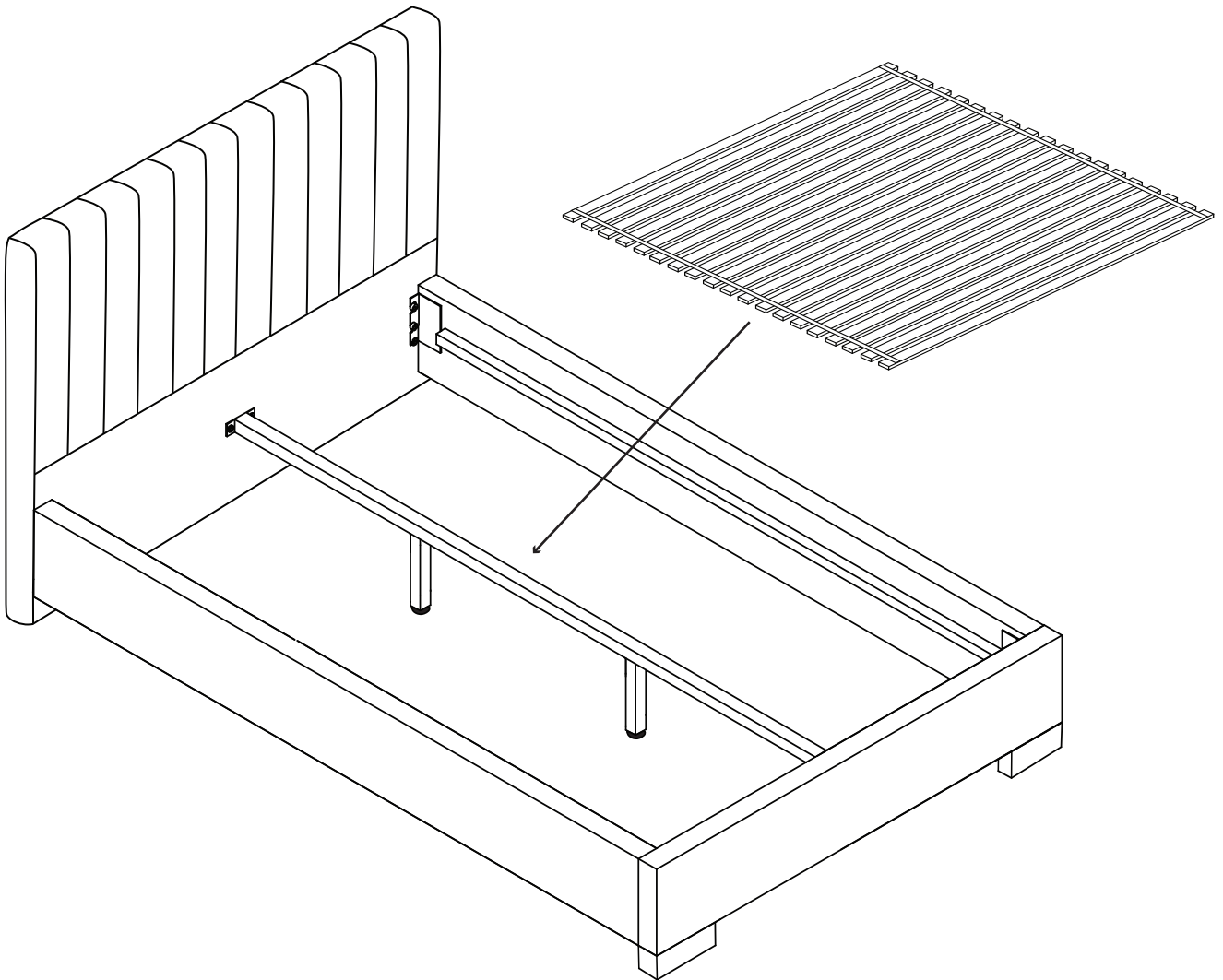
FIX THE ADJUSTABLE SUPPORT LEGS TO THE SUPPORT BARS.

STEP 4



FIX THE SUPPORT BARS TO THE HEADBOARD AND FOOTBOARD.

STEP 5



TIGHTEN ALL BOLTS AND PLACE DOWN SLATS.