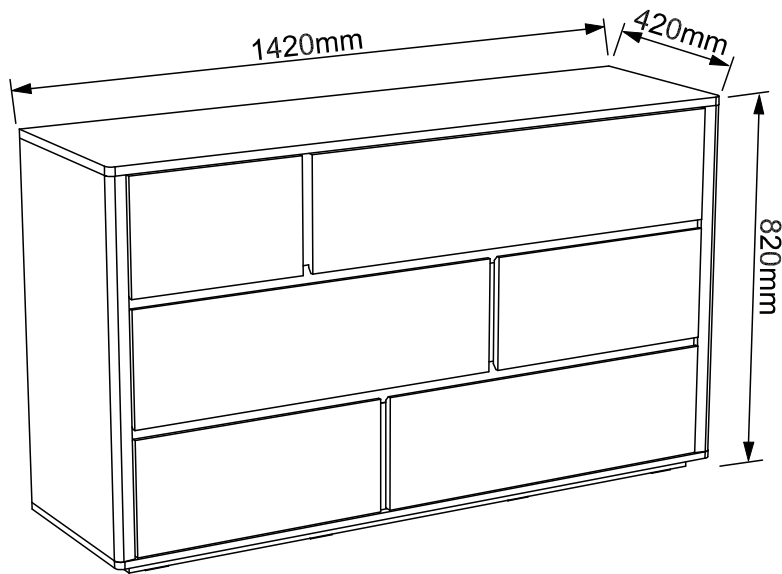


Assembly Instructions

Andi 6 Drawer Chest - Natural



WARNING

FAILURE TO FOLLOW THESE BASIC STEPS CAN LEAD TO DAMAGE THAT IS NOT COVERED BY YOUR WARRANTY

1. Read instructions carefully. Check no parts are missing.
2. The drawers may become misaligned after the transportation. The drawers may misaligned if the floor is not eve. If adjustment is necessary, please follow the adjustment steps.
3. **DO NOT** fully tighten screws (leave slightly loose). When the item is fully assembled tighten the screws - but do not over tighten.

Warning: In order to prevent overturning this product must be used with the wall attachment device provided.

THIS PRODUCT MUST BE WALL MOUNTED BY A QUALIFIED TRADESMAN/TECHNICIAN

Daily Care :

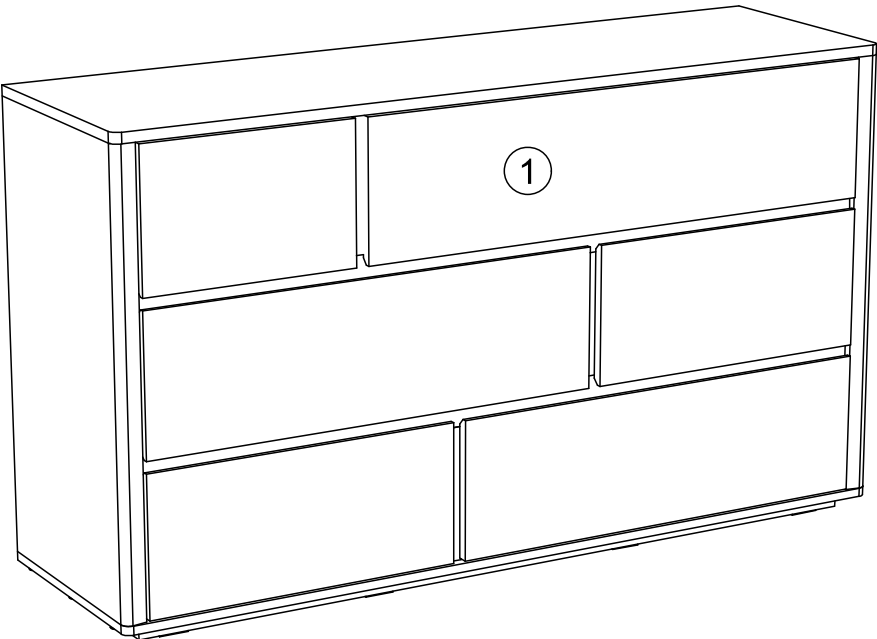
Water and other liquids can cause discoloration and damage to the surface. In case any liquids are spilled on the surface, remove immediately with a clean cloth. Avoid rubbing the spilled liquid into the veneer, but wipe gently, using a clean, firmly wrung damp cloth. If stains or marks persist, seek professional help and advice.

Wood expands and contracts according to the surrounding humidity and temperature. In case of temperature and humidity fluctuations, the wood might warp and/or crack. To avoid this, do not place the furniture near a radiator or in hot surroundings.

Take care when moving the furniture across the floor. Do not drag the furniture, as this can cause damage to both the furniture and the floor.

What you need

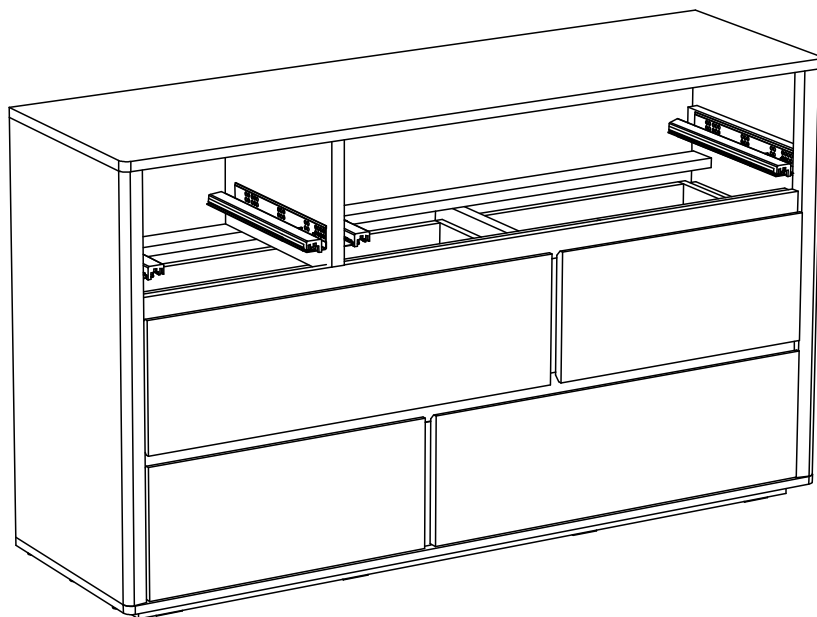
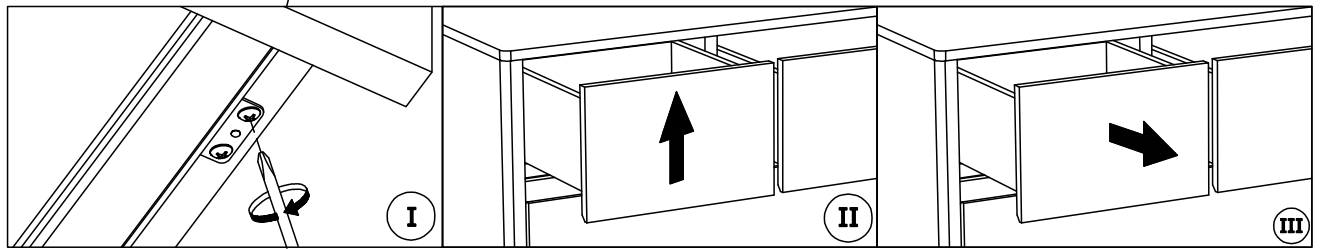
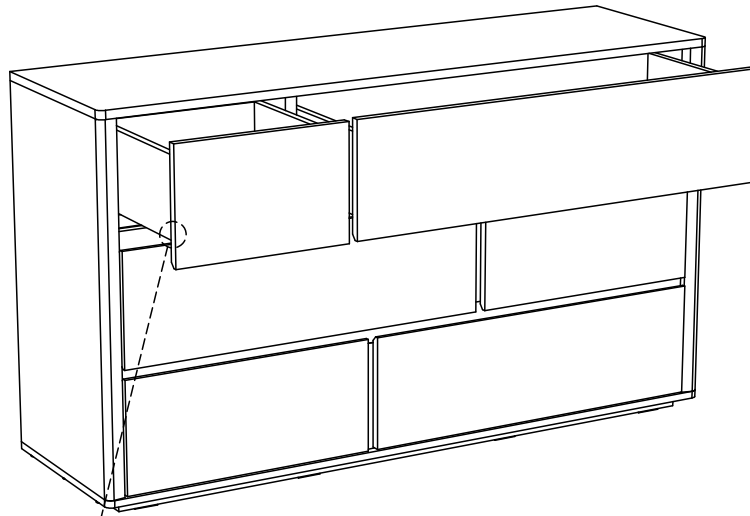
to assemble the product



NO.	PARTS LIST	QTY
(1)	Drawer Chest	1

Please make sure you have all these parts before you start.

Step 1



Step 2

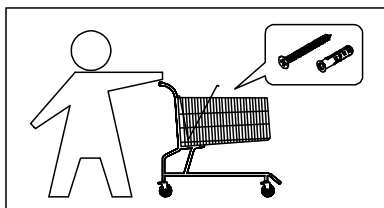
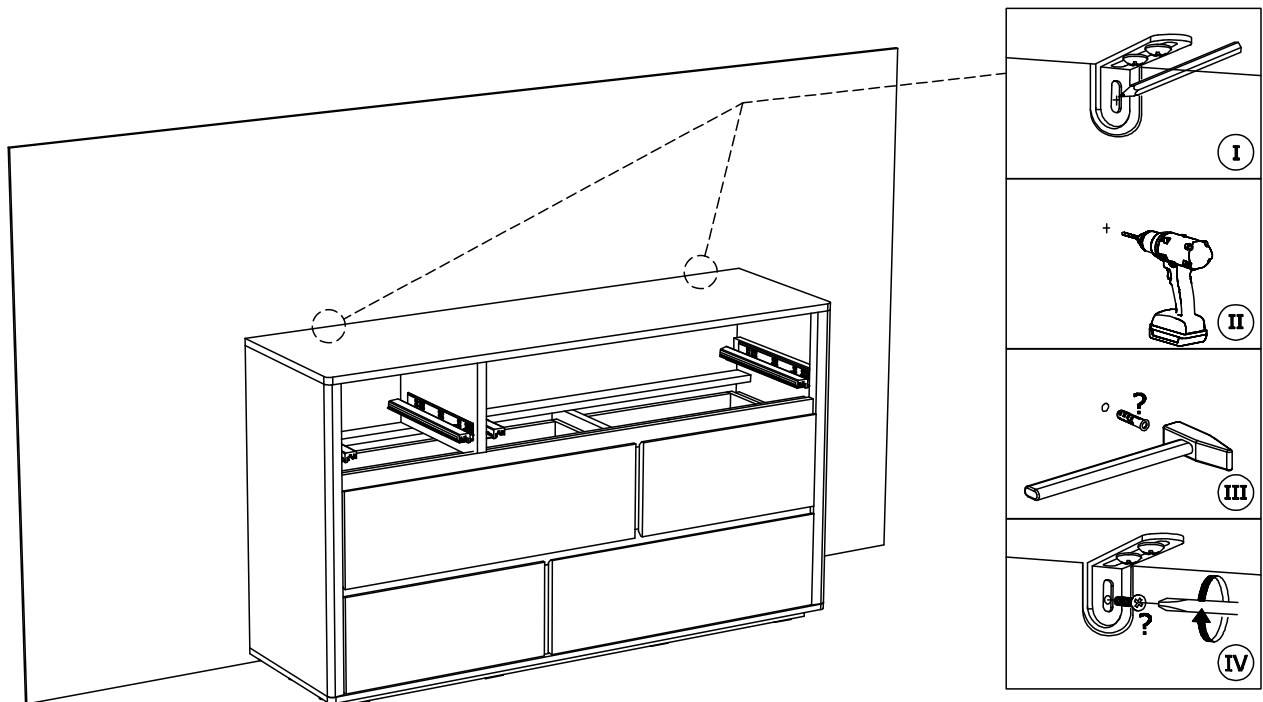
Anti-toppling warning:

Children have died from furniture tipover.

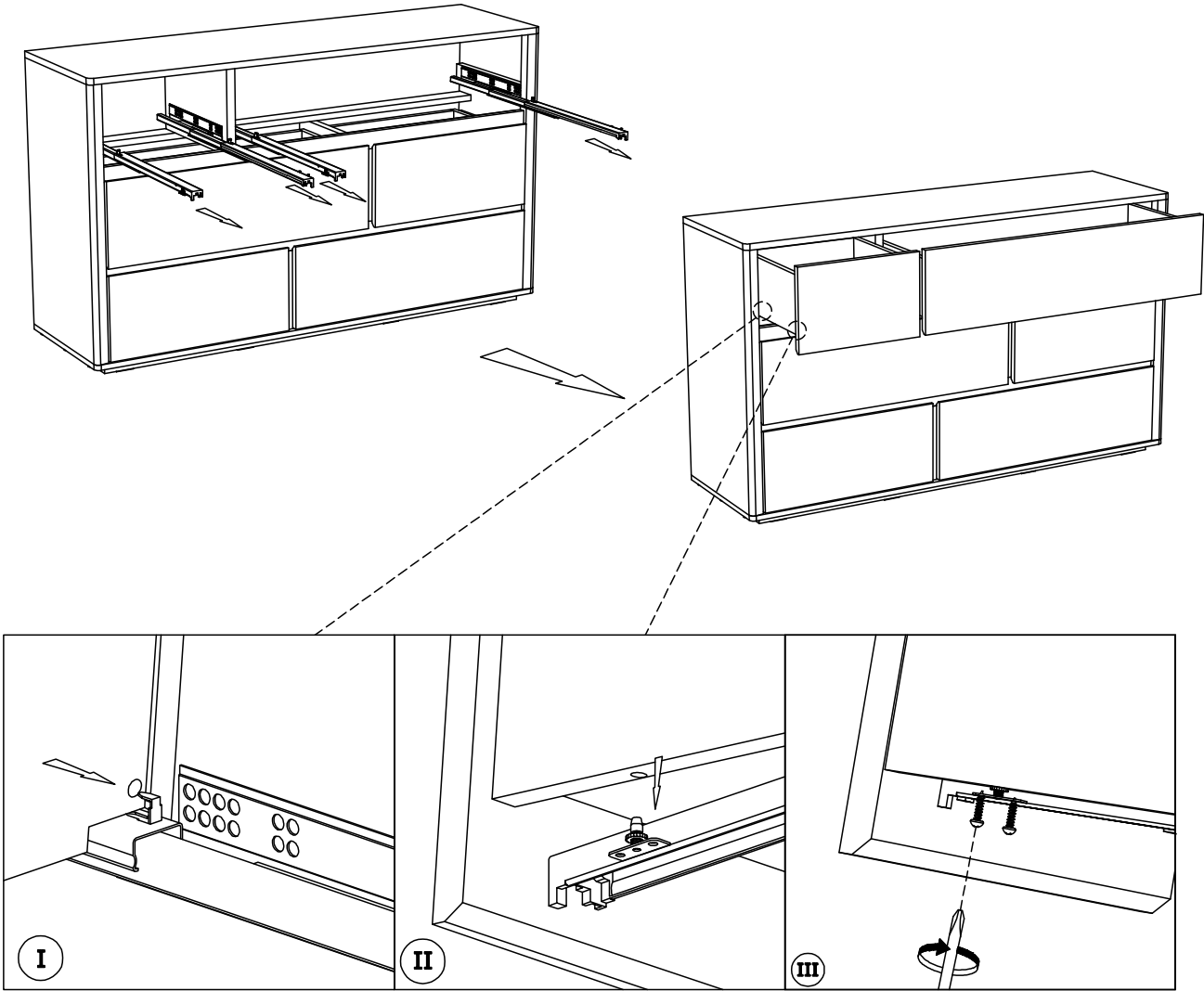
- ALWAYS secure it with an anchor device.
- NEVER allow children to stand, climb or hang on drawers, doors or shelves.
- NEVER open more than one drawer at a time
- Place heavy items down low.
- For advice on suitable fastening devices, contact your local specialized dealer.



For more information, visit <https://www.productsafety.gov.au>

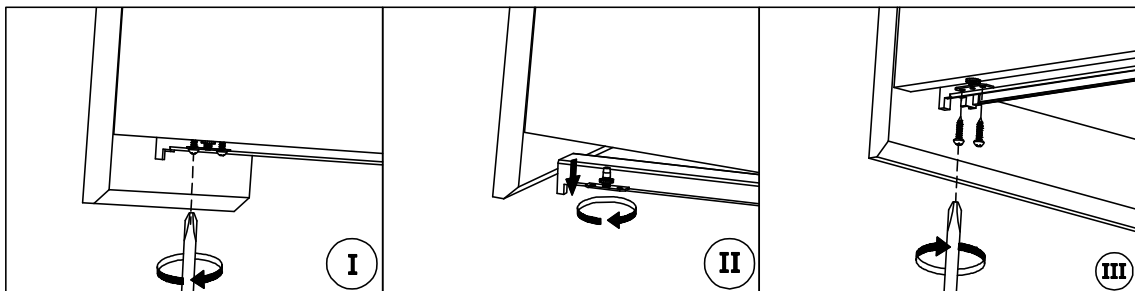
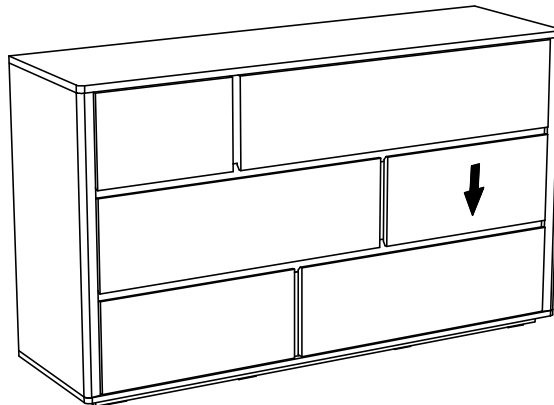
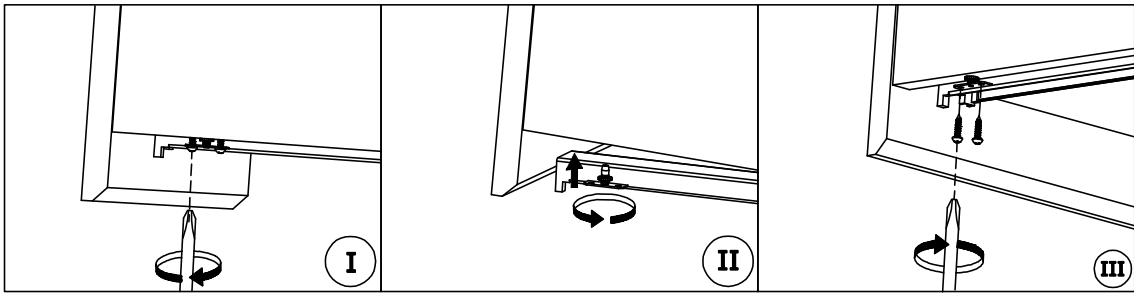
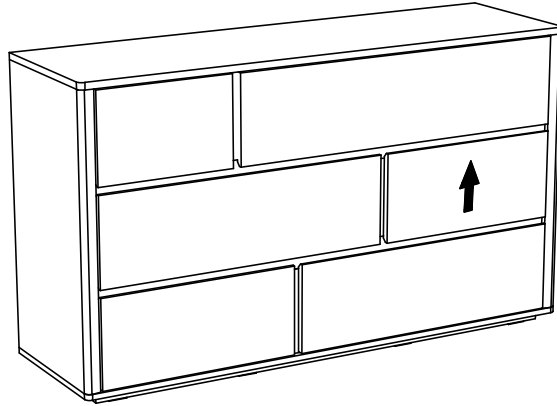


Step 3

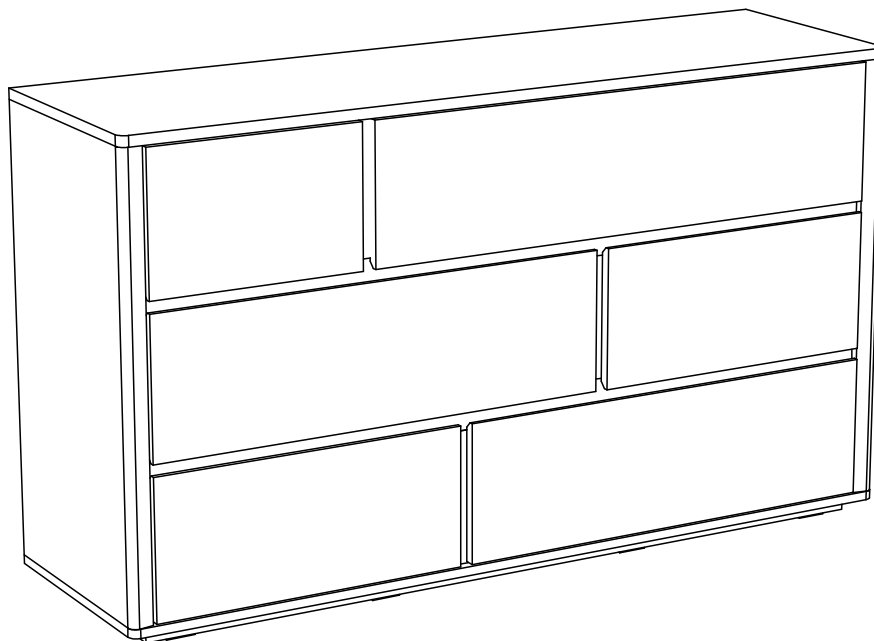


Step 4

The drawer may become misaligned after the transportation.
The drawer may misaligned if the floor is not eve.
If adjustment is necessary, please follow the steps below:



Step 5



Job Complete !

In the interest of our environment Please dispose of all packaging thoughtfully.