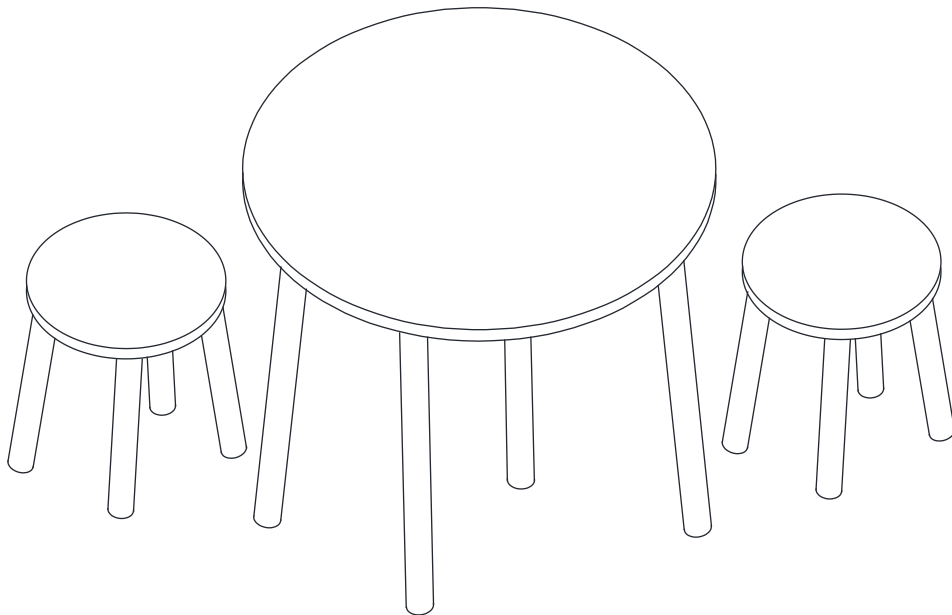


Assembly Instructions

Round Table and 2 Stools

520930



IMPORTANT!

READ CAREFULLY AND KEEP FOR FUTURE REFERENCE

Assembly to be carried out by a competent adult only.

During assembly children should be kept away from the product due to the possible risk of injury.

Assemble the furniture on a soft level surface to avoid damaging the product or your floor.

We recommend furniture be assembled near where they will be placed, to avoid moving the product unnecessarily once assembled.

If there is a need to move the furniture, please remove all loose items and have extra hands to help lift the furniture to the desired location. Dragging the furniture will damage both the furniture and the floor.

Ensure that fingers and legs are clear of all adjustments when adjusting this product.

Regularly check and re-tighten (if necessary) all bolts on furniture that you have assembled yourself.

This product is suitable for children in the age range 3-7 years.

Maximum weight allowed on product: Table 15kg and Stool 30kg.

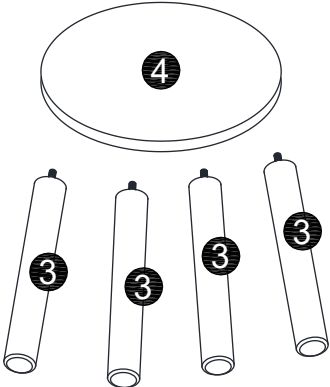
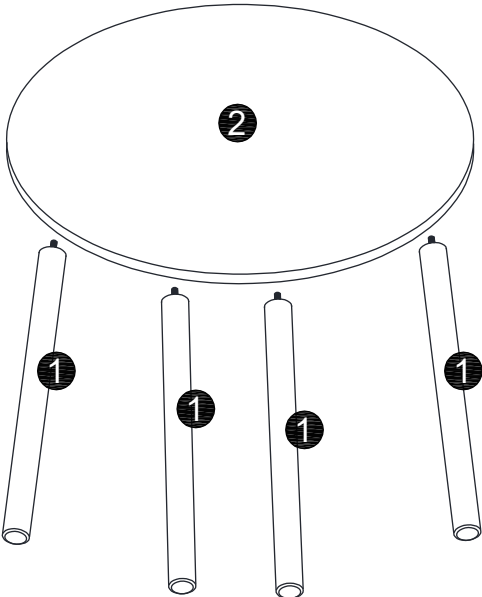
Care and Maintenance of your Furniture

Avoid placing hot items directly onto the surface unless using a thick insulation material such as placemats or coasters. Heat may lead to discolouration or other damage to the surface of the product.

Use a soft cloth that has been dampened in water to clean the surface of this product. Do not use abrasive cleaners, furniture wax or polish on the surface of this product, as it may damage the surface.

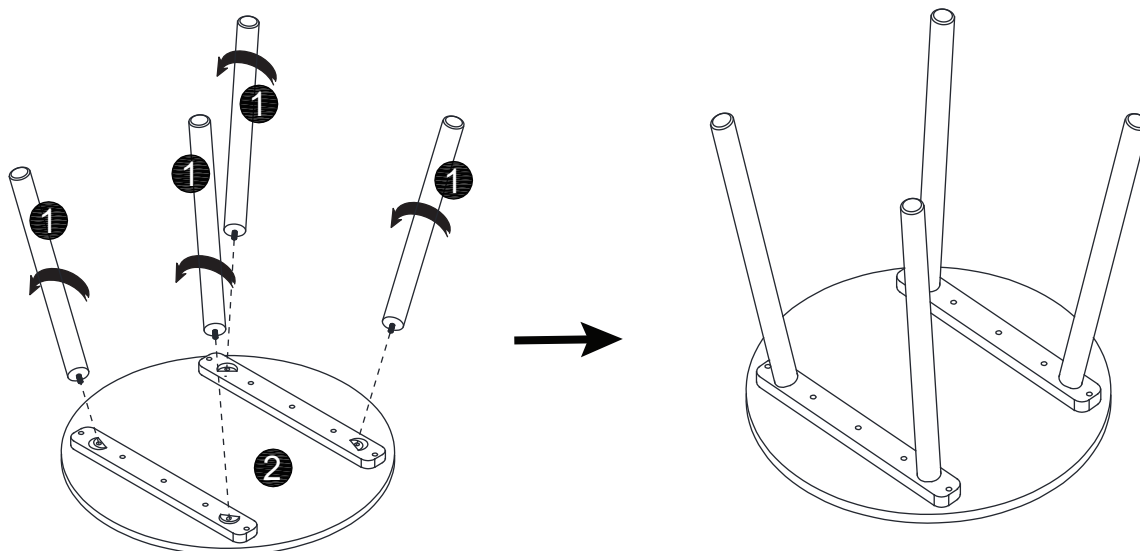
CAUTION: FREQUENT EXPOSURE TO DIRECT SUNLIGHT OR SIMILAR SOURCES MAY CAUSE THE SURFACE TO DISCOLOUR OR FADE.

PARTS LIST

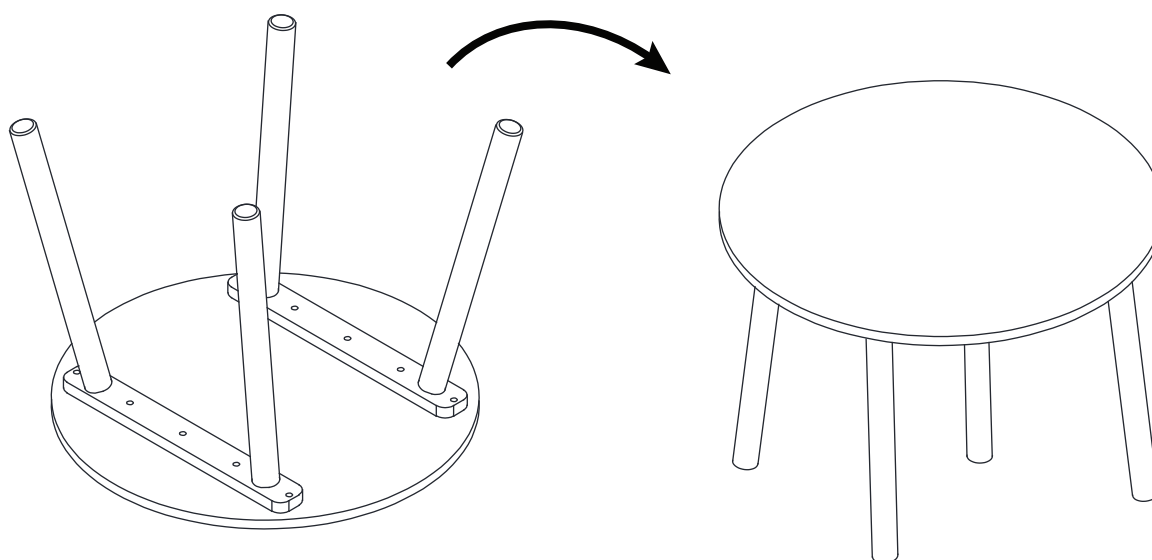


x2

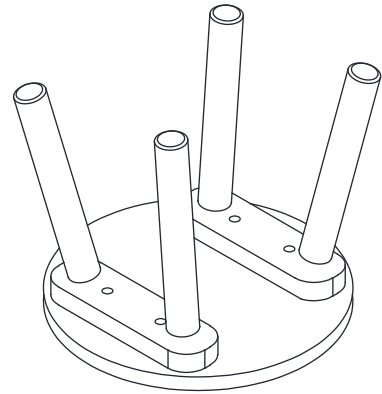
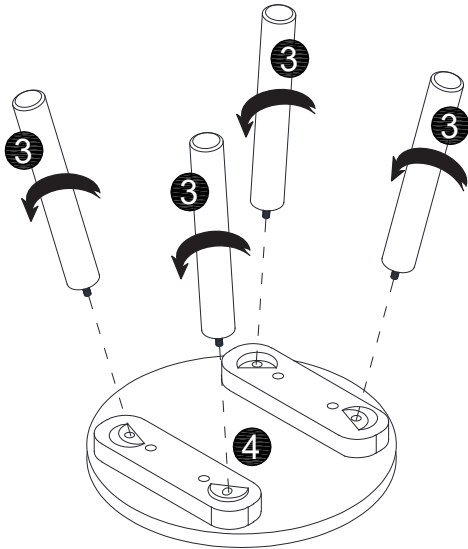
1



2

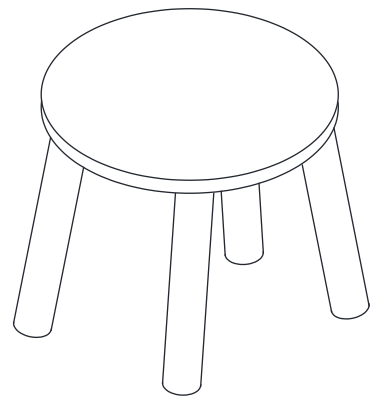
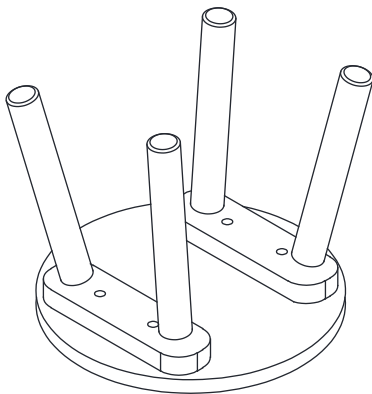


3



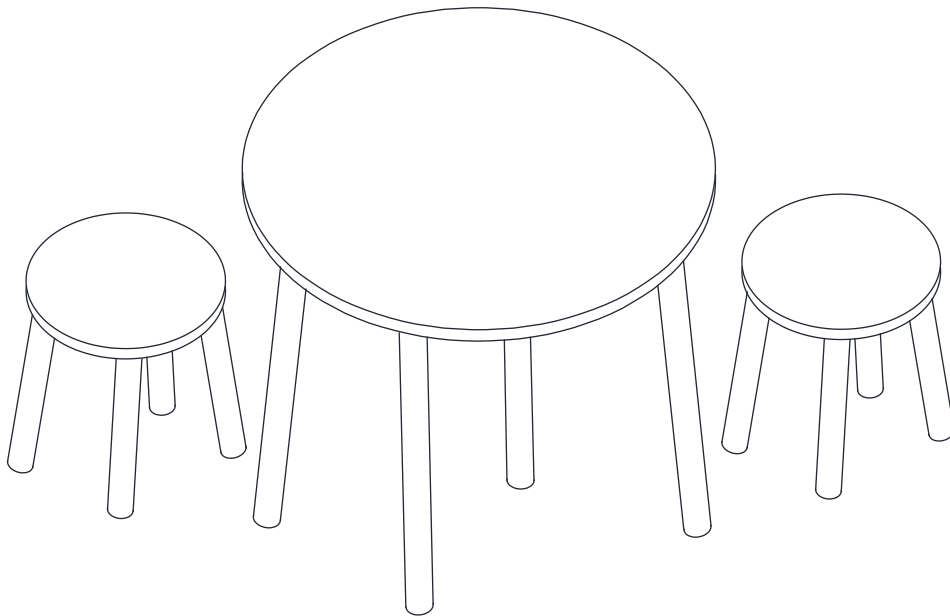
x2

4



x2

5



WARNING!

Do NOT place this product near a window as it can be used as a step by the child and cause the child to fall out of the window.

Be aware of the risk of open fires and other sources of strong heat in the vicinity of the product.

DO NOT place this product near a window where cords from blinds or curtains may strangle a child.

Do not use the product if any part is broken, torn or missing and use only spare parts approved by the manufacturer.