

# LARSSON BUFFET

23418271

freedom 

Thank you for purchasing the **LARSSON BUFFET**. Before you begin to assemble your new piece of furniture, please check to ensure that all hardware and parts have been supplied. This page lists all contents included in the carton(s).

Follow instructions closely as deviation from them may present a possible safety risk and may void your warranty.

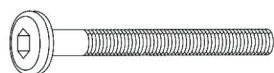
It is recommended that assembly is done on a soft surface such as carpet to avoid any damage.

If you experience any problems with your new purchase please phone Freedom Customer Service (FCS) on 1300 135 588. Customers outside Australia should contact their closest Freedom store.

## Care Information

Periodically check and re-tighten any fasteners. Dust weekly using a soft, clean cloth. Do not use harsh abrasives, chemicals or polishes containing silicone. Avoid direct sunlight as this will cause the timber to change colour. It is important to remove moist substances immediately. Use coasters, placemats and table runners to assist in prolonging the life of your product.

## Hardware (Supplied)



4 x Part A



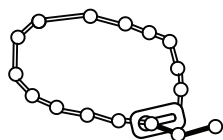
4 x Part B



4 x Part C



1 x Part D



2 x Part E



2 x Part F

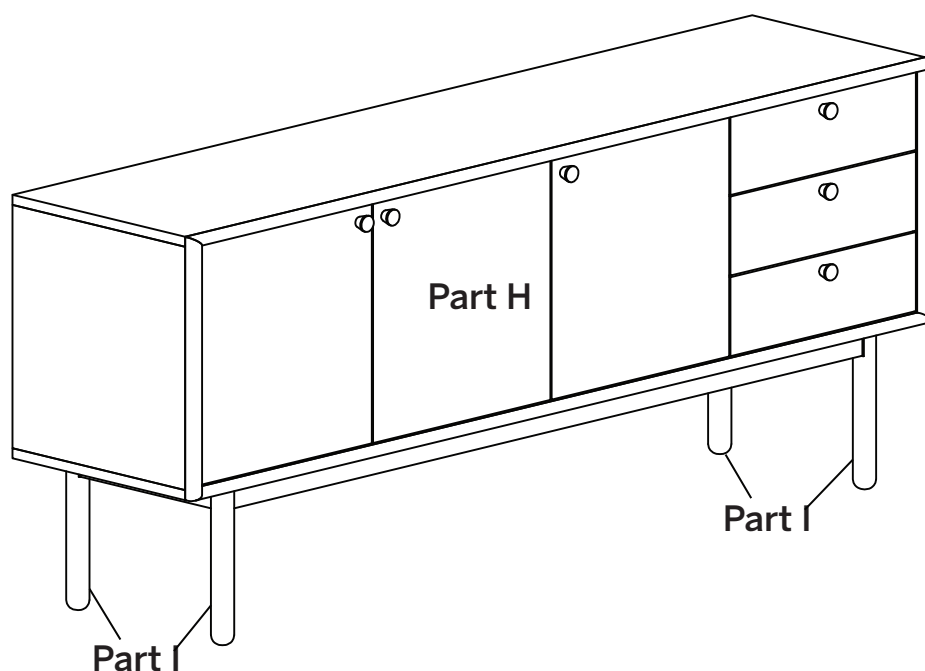


4 x Part G

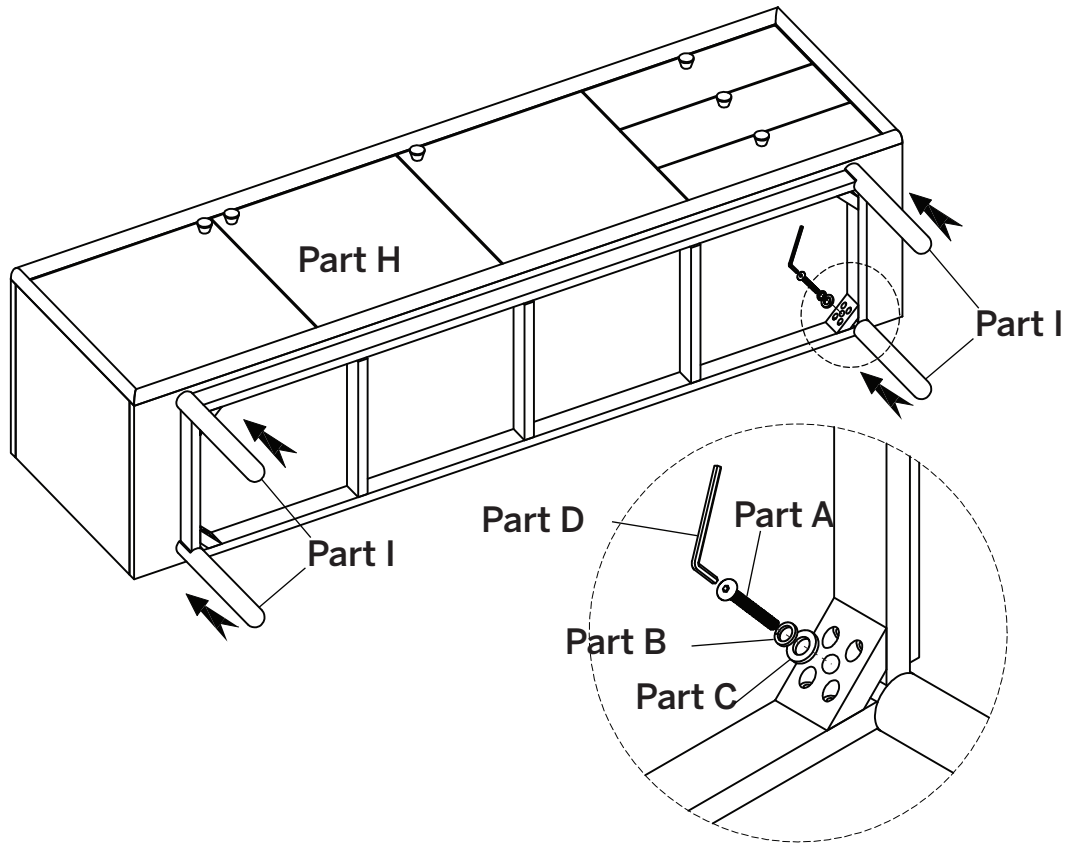
## Tools Required (Not Supplied)



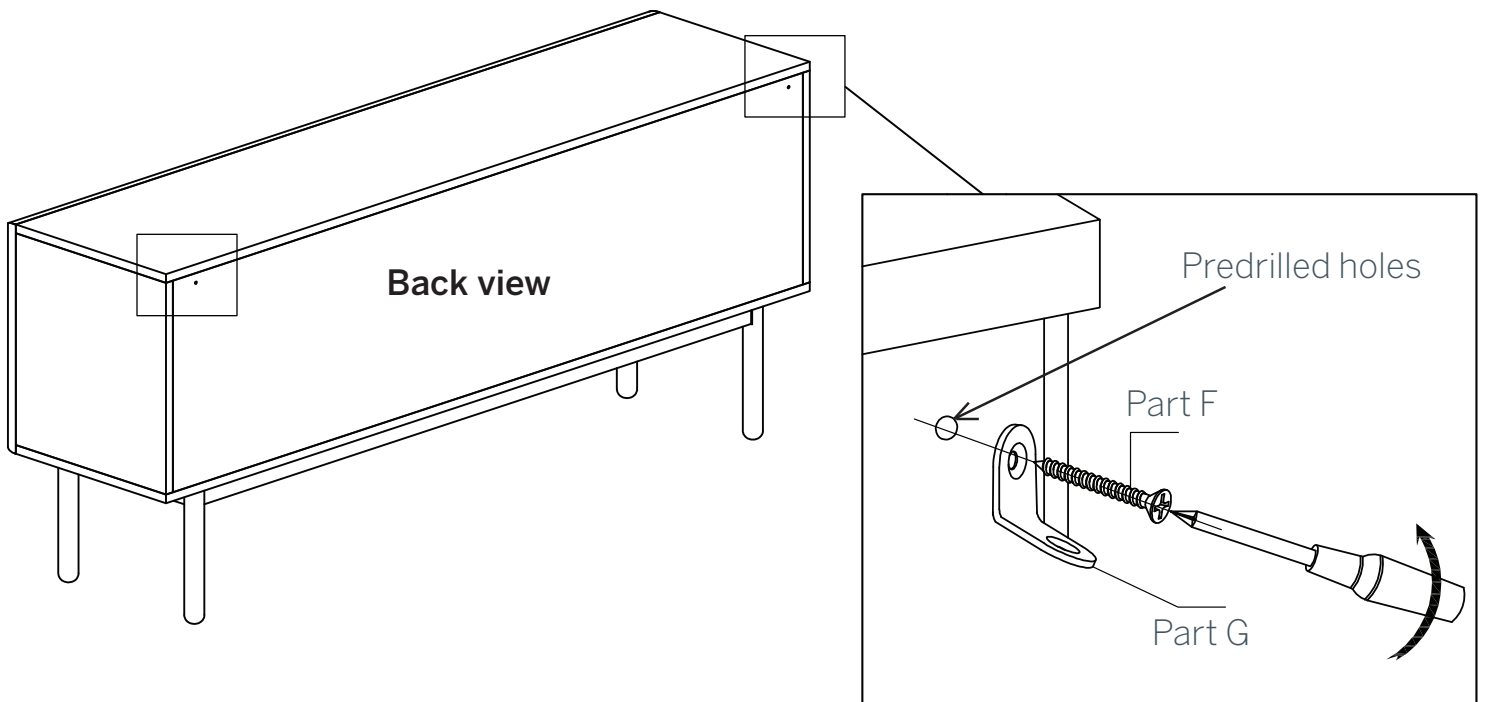
## Parts



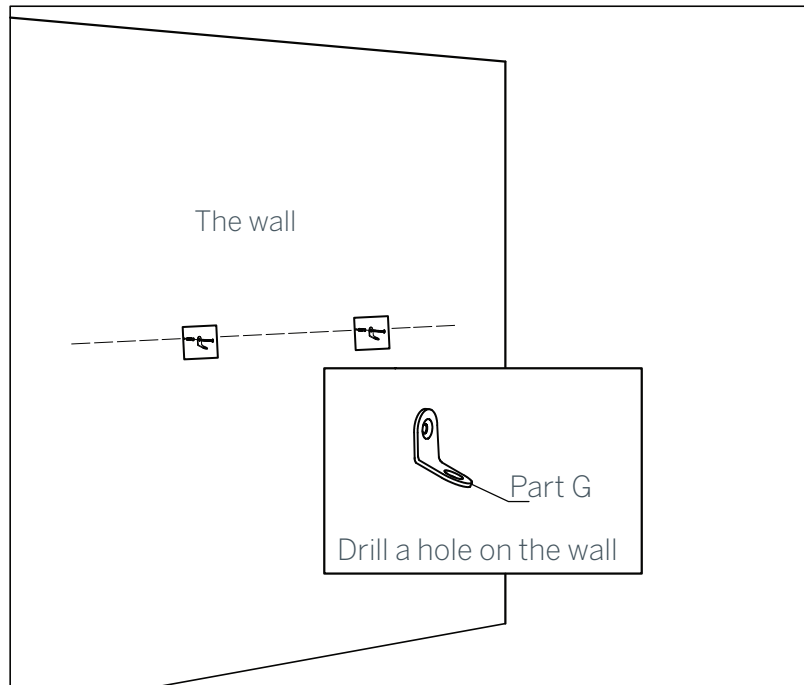
Step 1



Step 2

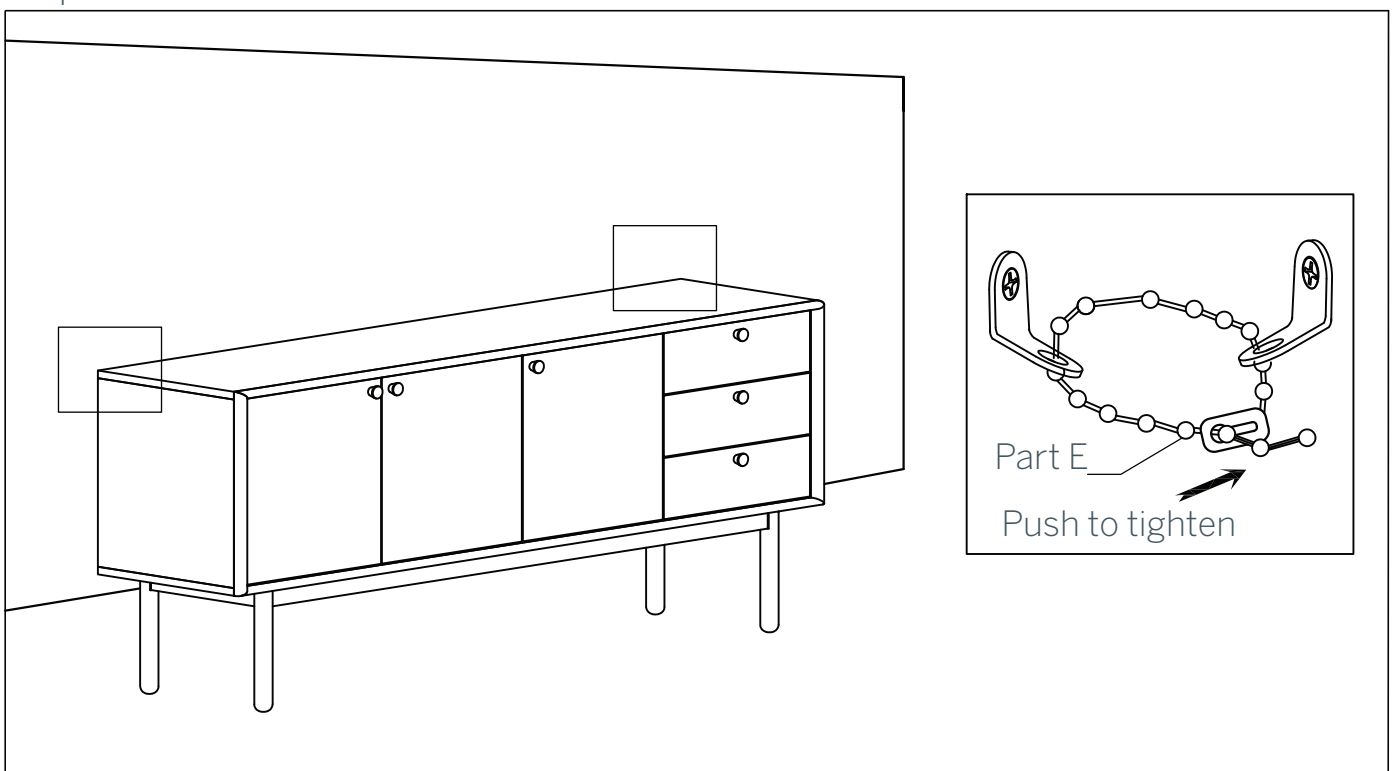


Step 3



**IMPORTANT:** The screw supplied with the anti-tilt strap is to be used only for fixing the anti-tilt strap to the furniture. In addition to this you will need to choose a screw or wall fitting which is suitable for your wall type to secure the strap to the kind of wall that you have. If you are unsure about what type of screw or wall fitting to use, please contact your local hardware store.

Step 4

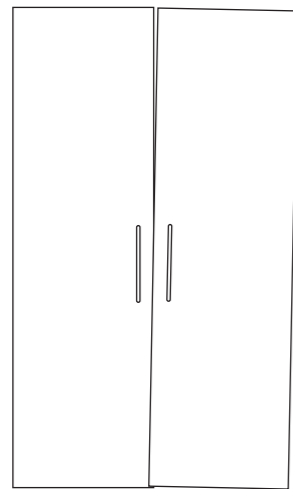


# Assembly Instructions

## Hinge Adjustment

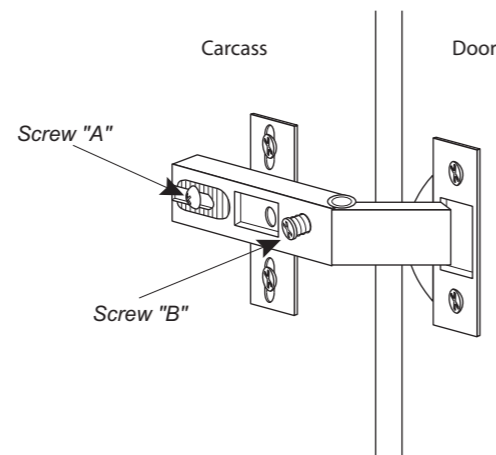
- Follow instructions closely as deviation from them may void your warranty and present a possible safety risk.
- If you experience any problems with your new purchase please phone Freedom Customer Service (FCS) on 1300 135 588 (Customers outside Australia should contact their closest Freedom store.)

### Lateral Movement



#### What it looks like

- The door will not be flush with the side panel.



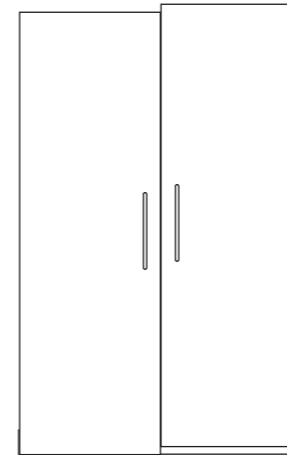
#### How to fix it

- To move the door towards the centre of the unit, loosen Screw "A". Adjust the door and then tighten Screw "B".
- To move the door away from the centre of the unit, loosen Screw "B". Adjust the door and then tighten Screw "A".

# Assembly Instructions

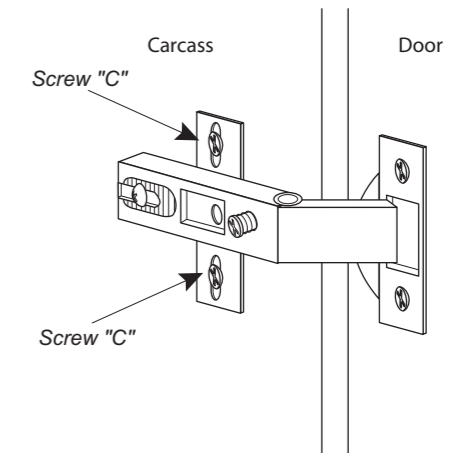
## Hinge Adjustment

### Vertical Movement



#### What it looks like

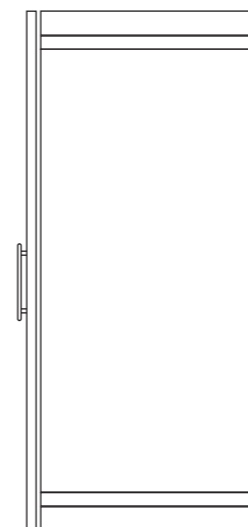
- The door will not be flush with the vertical panel.



#### How to fix it

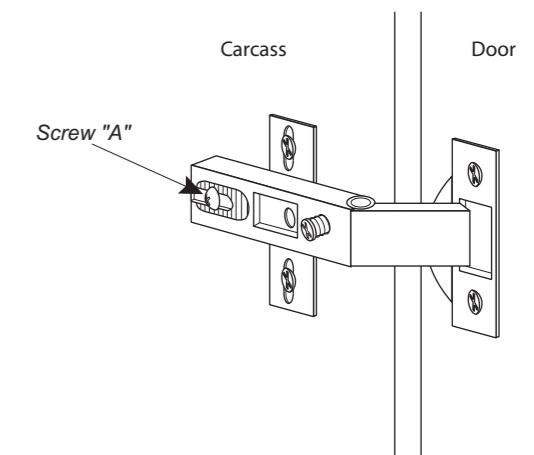
- To move the door towards or away from the horizontal panels, loosen Screws "C". Adjust the door and then tighten Screws "C".

### Horizontal Movement



#### What it looks like

- The door will appear too far or too close from the front edge of the side panel.



#### How to fix it

- To move the door towards or away from the unit, loosen Screw "A". Adjust the door forwards or backwards until there is an even gap between the door and the front edge of the side panel.
- Tighten Screw "A" once the adjustment has been made.