

LARSSON BUFFET OAK NATURAL

23418271

Thank you for purchasing the **Larsson Buffet Oak Natural**. Before you begin to assemble your new piece of furniture, please check to ensure that all hardware and parts have been supplied. This page lists all contents included in the carton(s).

Follow instructions closely as deviation from them may present a possible safety risk and may void your warranty.

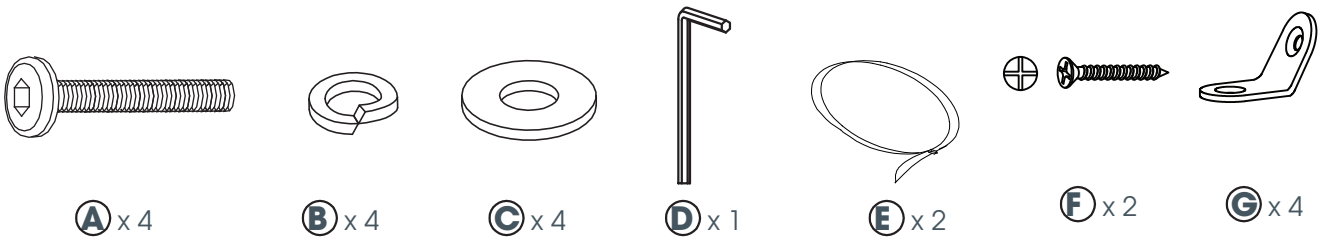
It is recommended that assembly is done on a soft surface such as carpet to avoid any damage.

If you experience any problems with your new purchase, please contact Customer Service via the website www.freedom.com.au or www.freedomfurniture.co.nz

Care Information

Dust weekly using a soft, clean cloth. Do not use harsh abrasives, chemicals or polishes containing silicone. Avoid direct sunlight.

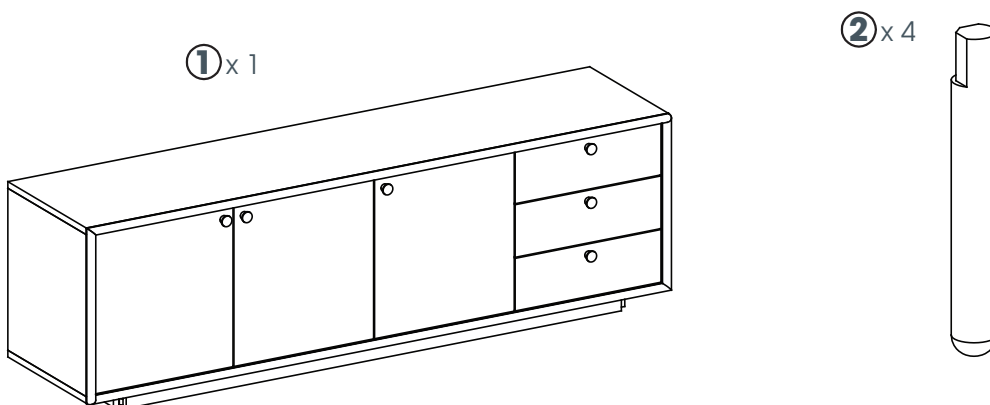
Hardware (Supplied)



Tools Required (Not Supplied)



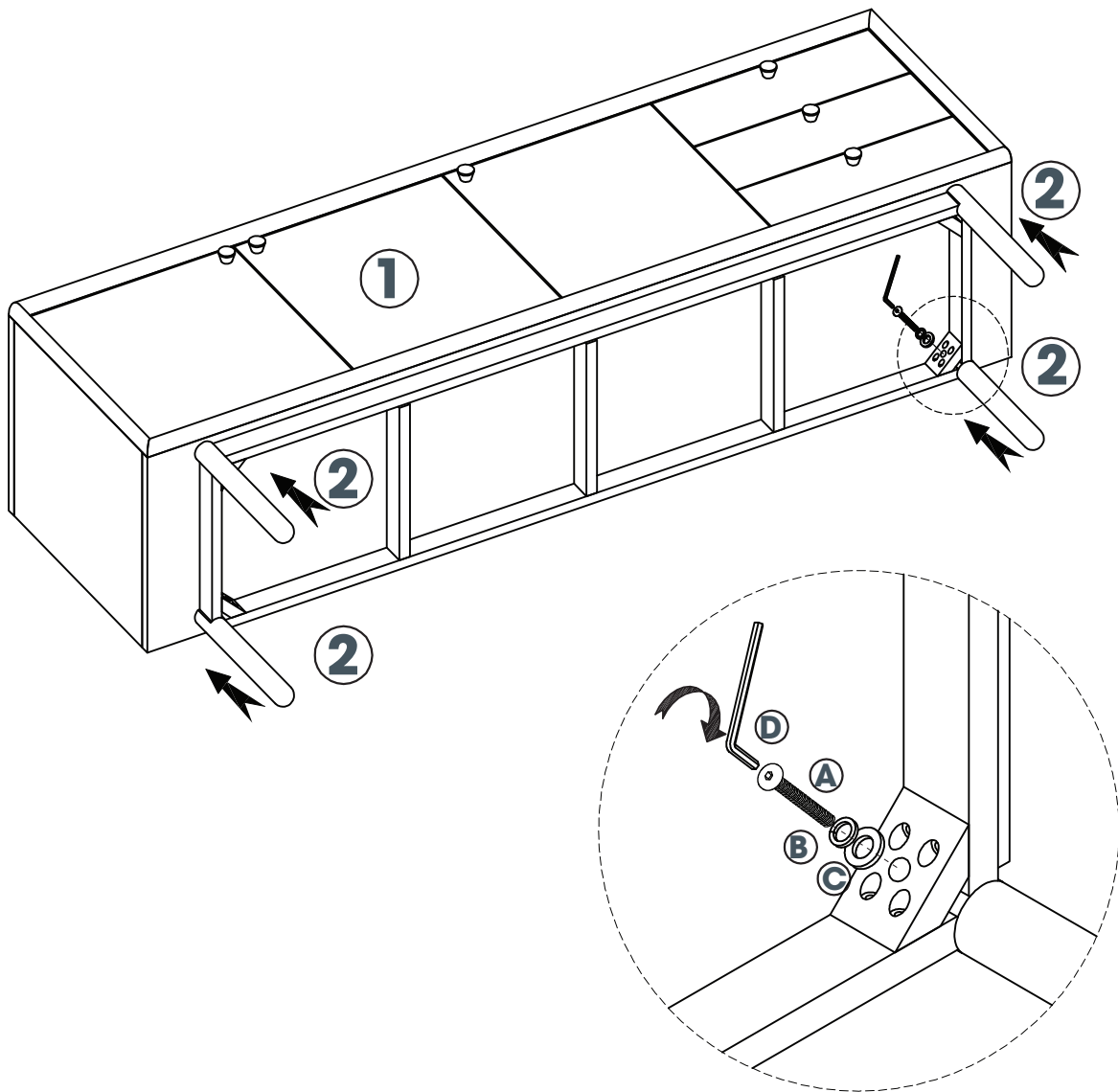
Parts



LARSSON BUFFET OAK NATURAL

23418271

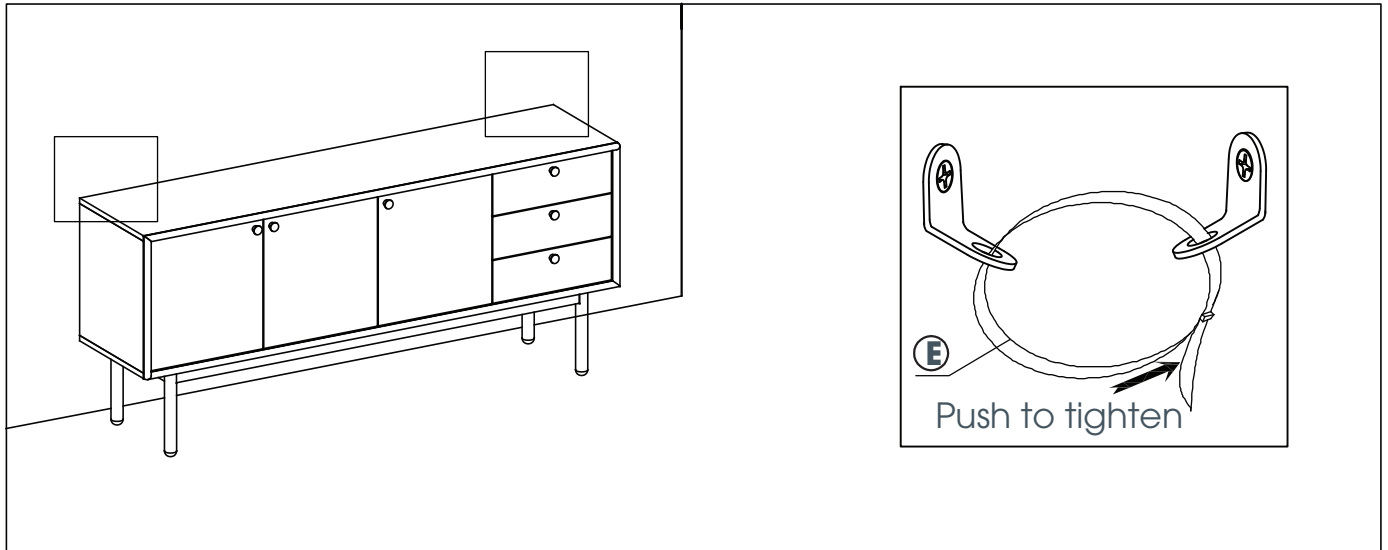
Step 1.



LARSSON BUFFET OAK NATURAL

23418271

Step 2.



FINAL Step: Attach anti tilt strap or bracket to wall

WARNING:

To prevent your furniture from falling forward and possibly causing property damage or personal injury it is recommended that you **Securely attach the anti-tilt straps or brackets provided to your wall using appropriate fixings**

IMPORTANT:

DO NOT place toys or other child appealing items on top of this furniture

AVOID fully opening all drawers at the same time

DO NOT ALLOW Small children to climb onto Drawers, shelves or to swing from open doors

CAUTION:

For your safety when attaching the anti - tilt fixings;

Check for any electrical wires or plumbing inside the wall before drilling any holes (if you are unsure please seek professional advice from a qualified tradesman)

Walls are constructed from different materials eg; Masonry (solid brick) or plaster board lined cavity walls (hollow).

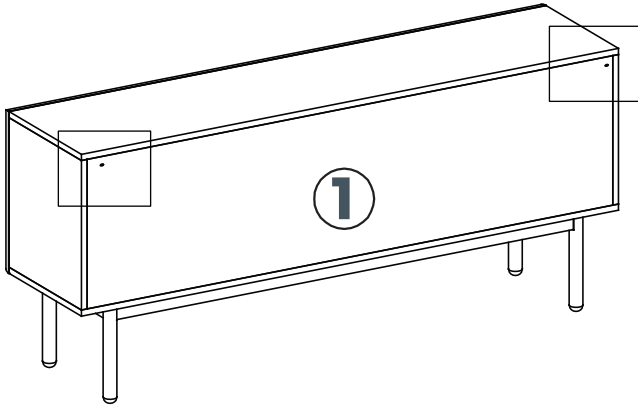
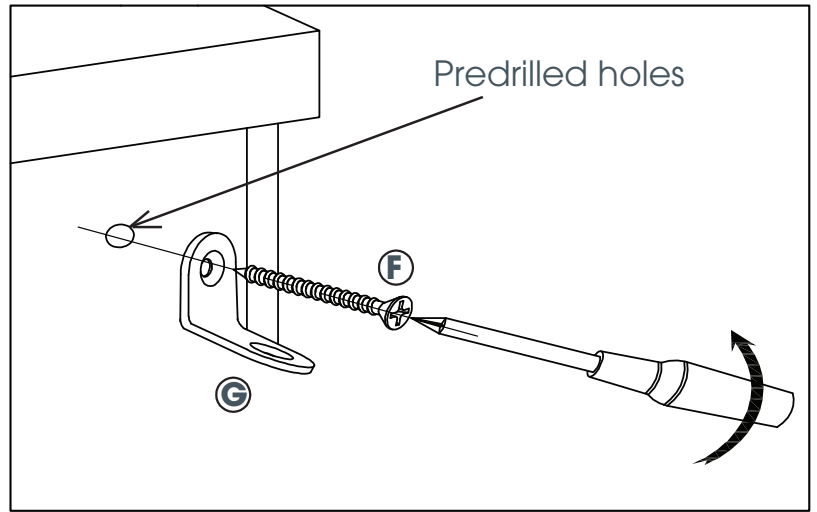
It is important that you use the appropriate wall fixings for your wall type.

(Your local hardware store will have the necessary drills and fixings and can offer advice if needed)

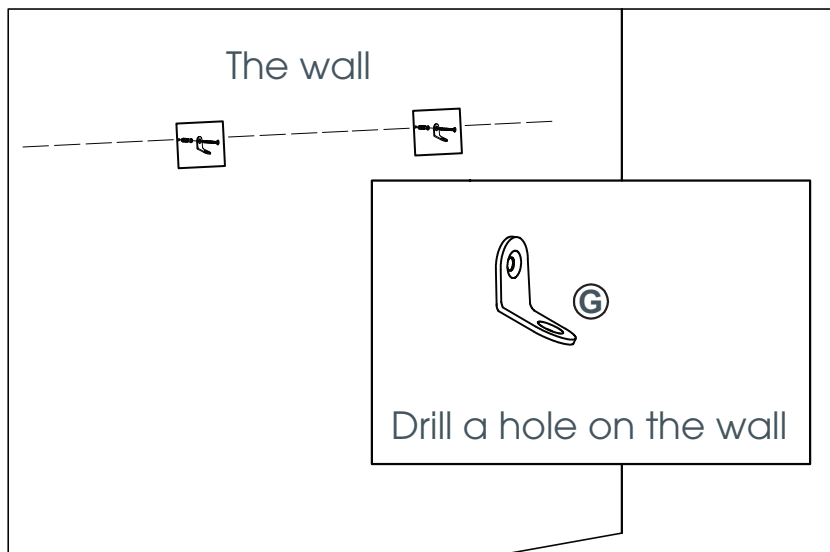
LARSSON BUFFET OAK NATURAL

23418271

Step 3.



Step 4.

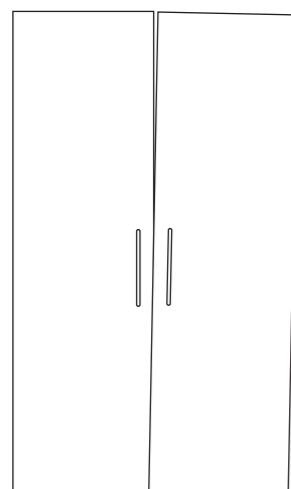


Assembly Instructions

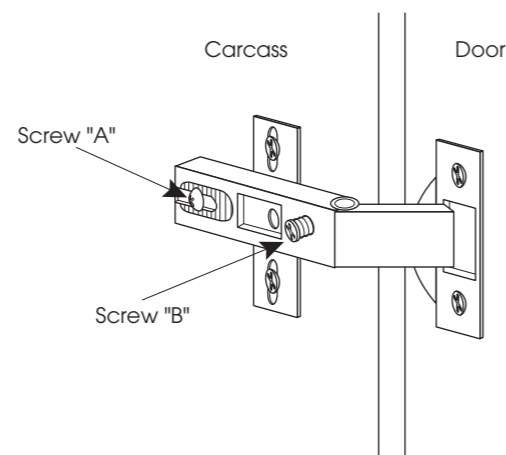
Hinge Adjustment

- Follow instructions closely as deviation from them may void your warranty and present a possible safety risk.
- If you experience any problems with your new purchase, please contact Customer Service via the website www.freedom.com.au or www.freedomfurniture.co.nz

Lateral Movement



- What it looks like**
- The door will not be flush with the side panel.

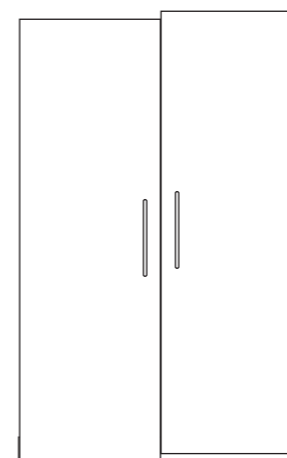


- How to fix it**
- To move the door towards the centre of the unit, loosen Screw "A". Adjust the door and then tighten Screw "B".
 - To move the door away from the centre of the unit, loosen Screw "B". Adjust the door and then tighten Screw "A".

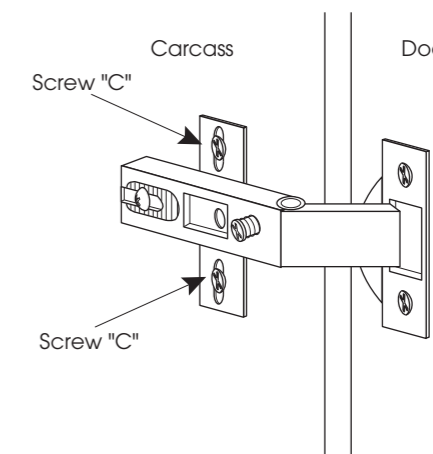
Assembly Instructions

Hinge Adjustment

Vertical Movement

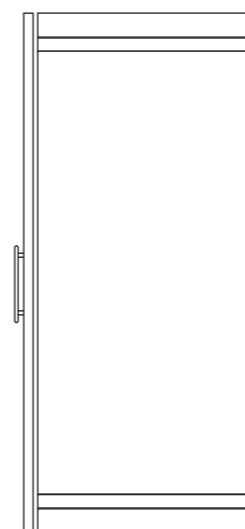


- What it looks like**
- The door will not be flush with the vertical panel.

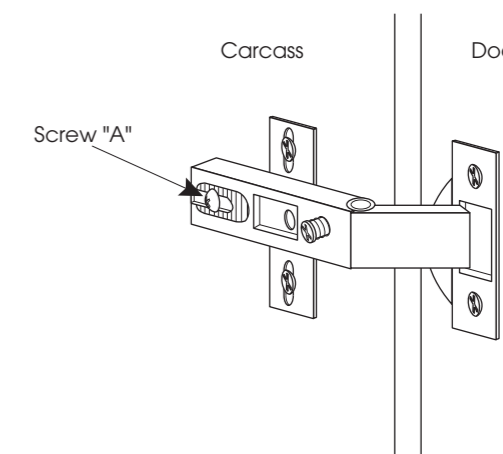


- How to fix it**
- To move the door towards or away from the horizontal panels, loosen Screws "C". Adjust the door and then tighten Screws "C".

Horizontal Movement



- What it looks like**
- The door will appear too far or too close from the front edge of the side panel.



- How to fix it**
- To move the door towards or away from the unit, loosen Screw "A". Adjust the door forwards or backwards until there is an even gap between the door and the front edge of the side panel.
 - Tighten Screw "A" once the adjustment has been made.