

Wharf Dining table 155x80 cm

23696594

Thank you for purchasing the Wharf Dining table 155x80 cm. Before you begin to assemble your new piece of furniture, please check to ensure that all hardware and parts have been supplied. The following page lists all contents included in the carton(s).

Follow instructions closely as deviation from them may present a possible safety risk and may void your warranty.

It is recommended that assembly is done on a soft surface such as carpet to avoid any damage.

If you experience any problems with your new purchase, please phone Freedom Customer Service (FCS) on 1300 135 588 (Australia) or 0800 469 327 (New Zealand).

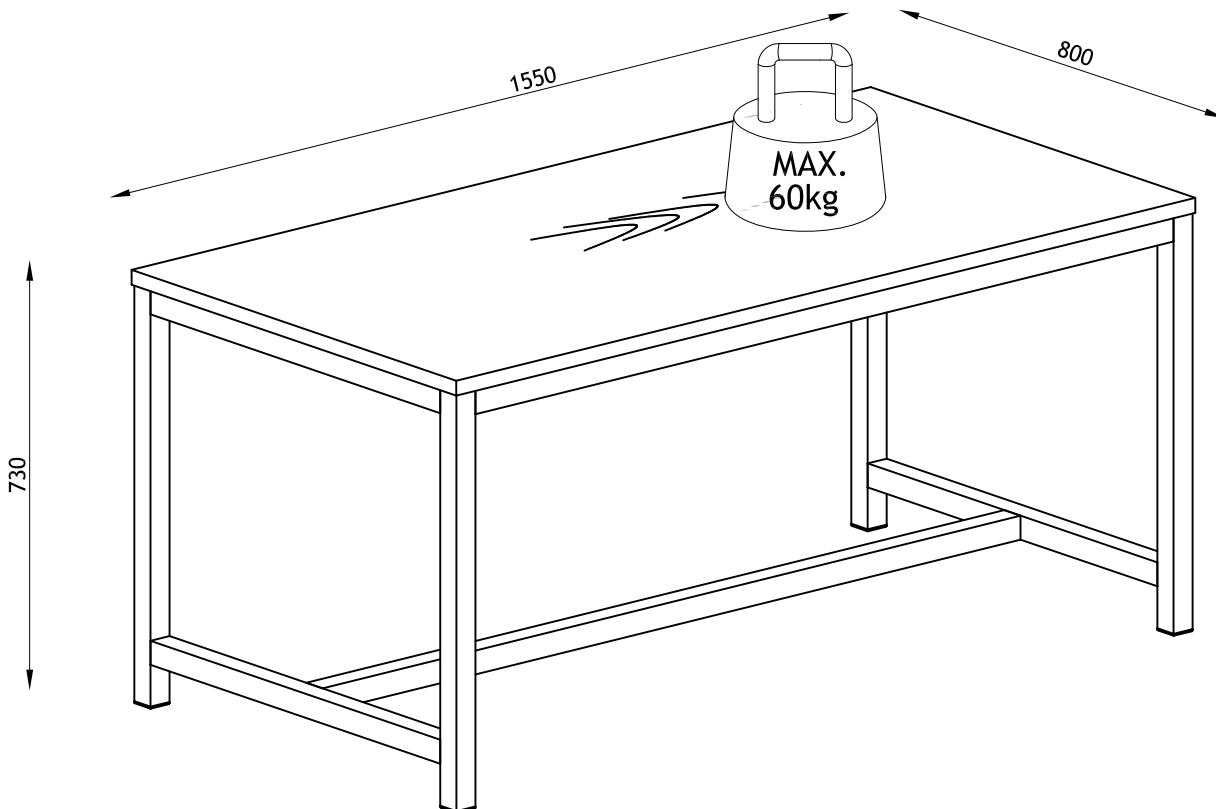
Care Information

Periodically check and re-tighten any fasteners. Dust weekly using a soft, clean cloth. Do not use harsh abrasives, chemicals or polishes containing silicone. Avoid direct sunlight as this may cause the timber to change colour. It is important to remove moist substances immediately.

Always carefully lift furniture when moving it around the home and never drag.

Use floor protectors on the bottom of furniture (like tables and chairs) to minimise damage to floor coverings.

Use coasters, place mats, tablecloths and table runners to protect furniture surfaces from heat and stains

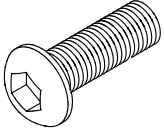
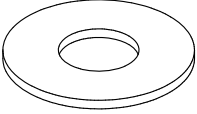
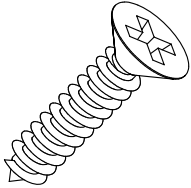



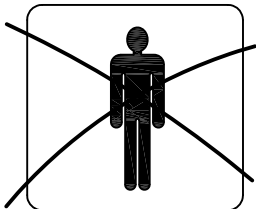
91879 - 045 Rev 1

Wharf Dining table 155x80 cm

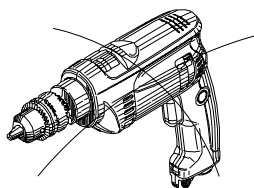
23696594

Hardware (Supplied)

A x 14	B x 14	C x 20	D x 1
			
M8x20 mm	M8/Ø18 mm	Ø4x20 mm	5 mm



Tools Required (Not Supplied)

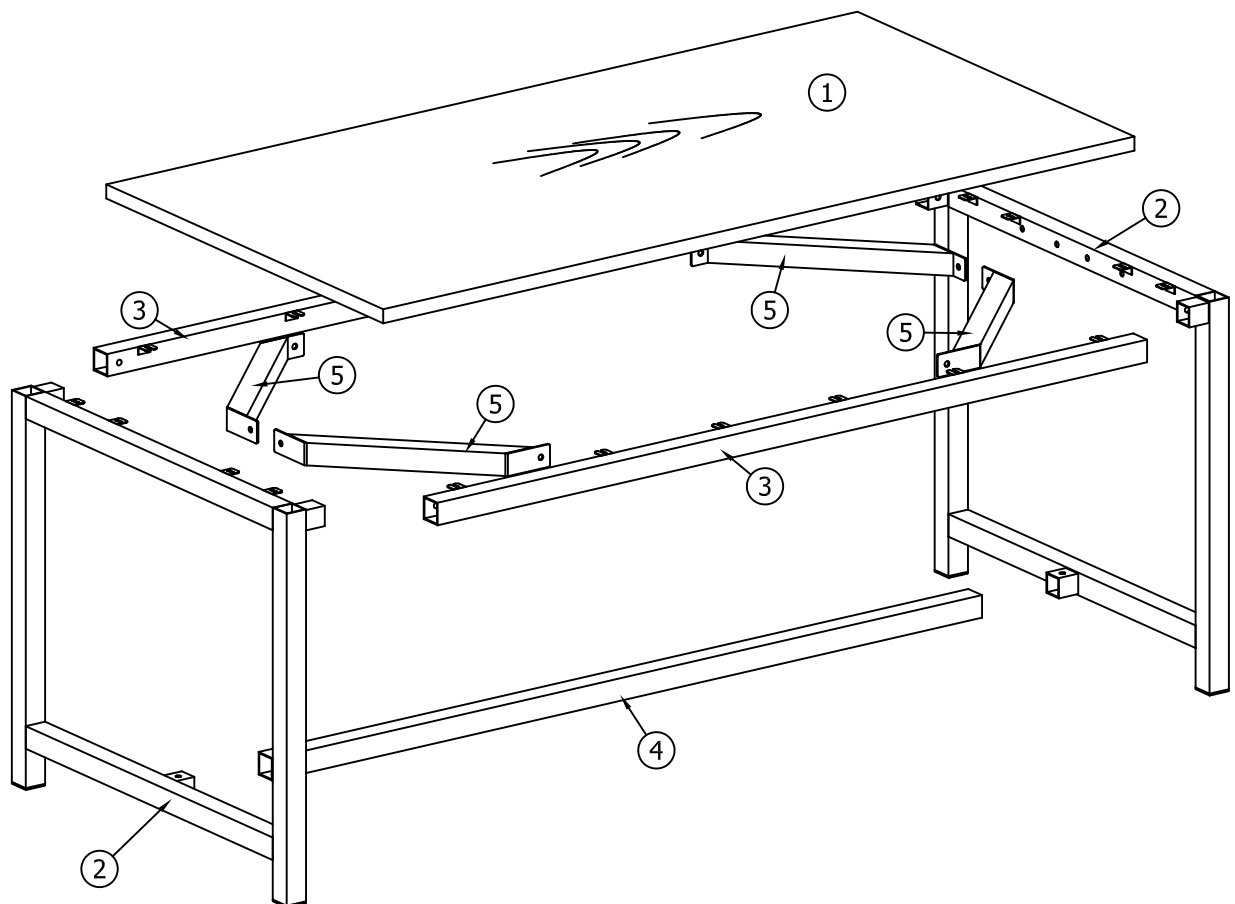


Wharf Dining table 155x80 cm

23696594

Parts

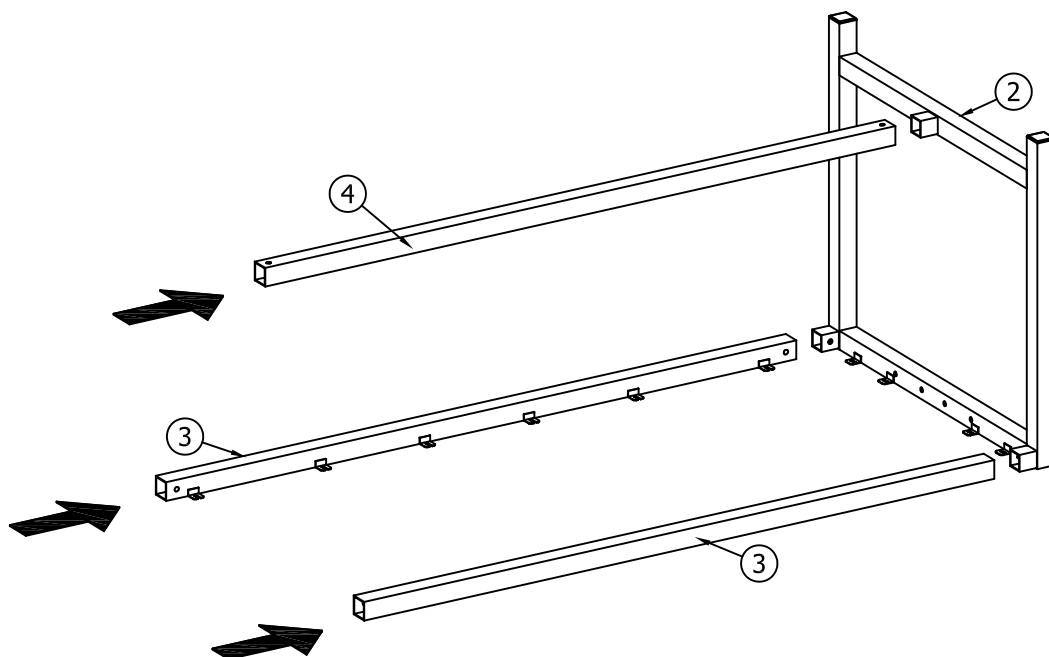
			✓
1	1	1550x800x25	
2	2	794x705x80	
3	2	1464x40x40	
4	1	1464x40x40	
5	4	425x40x40	



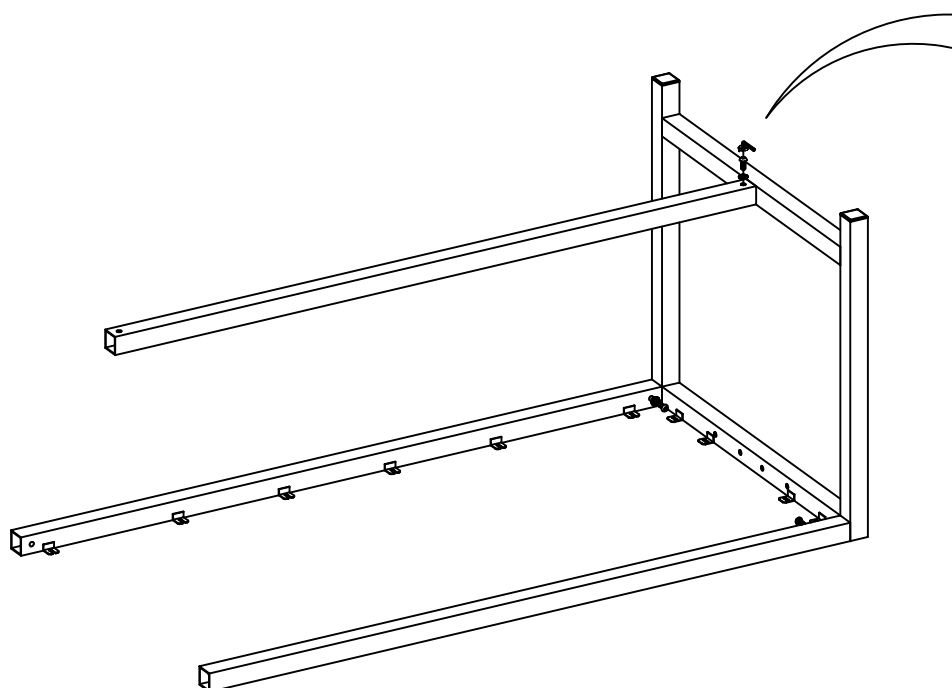
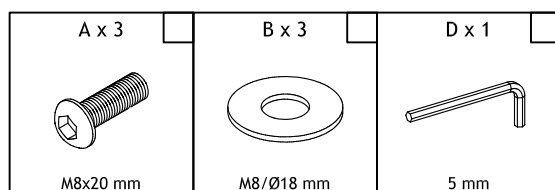
Wharf Dining table 155x80 cm

23696594

Step 1



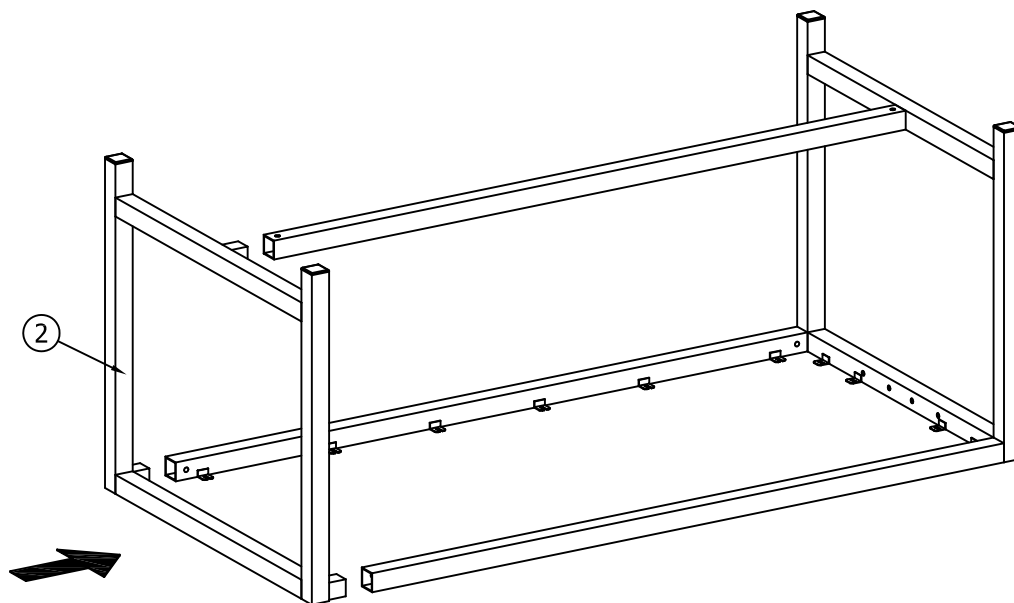
Step 2



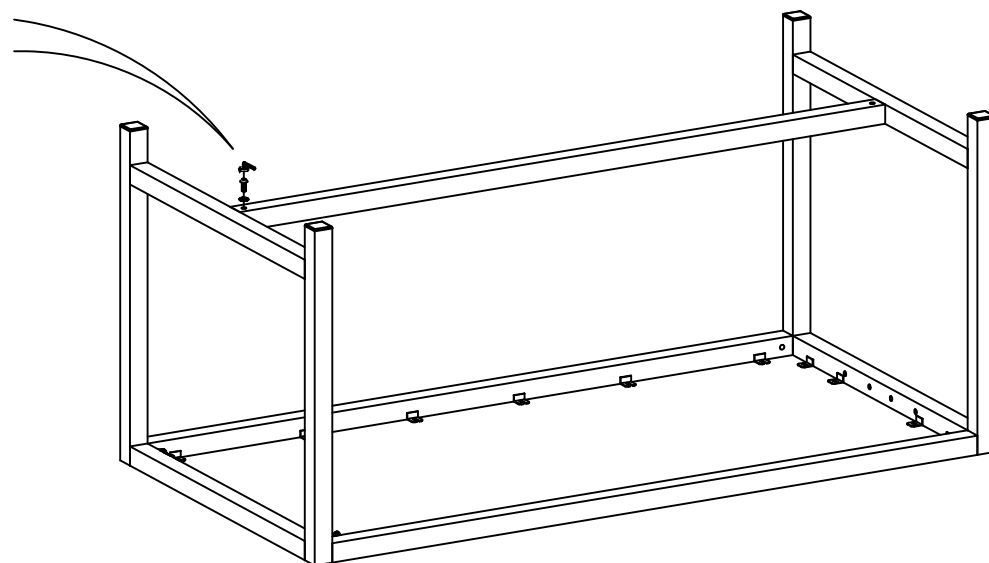
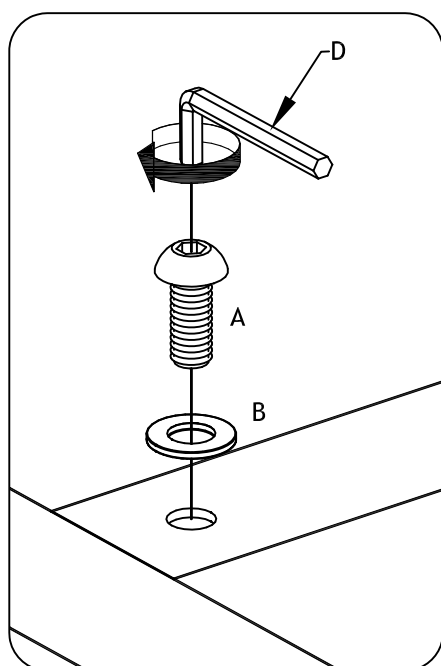
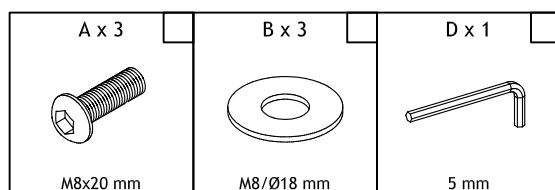
Wharf Dining table 155x80 cm

23696594

Step 3



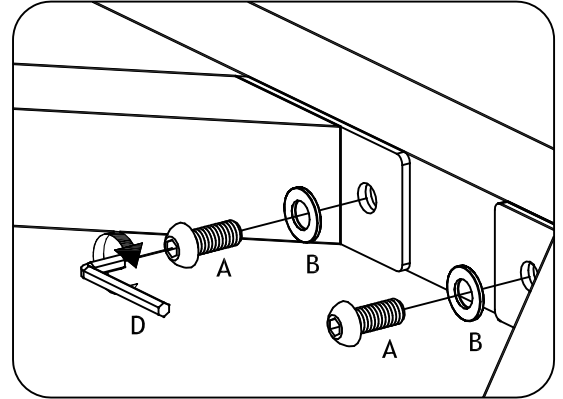
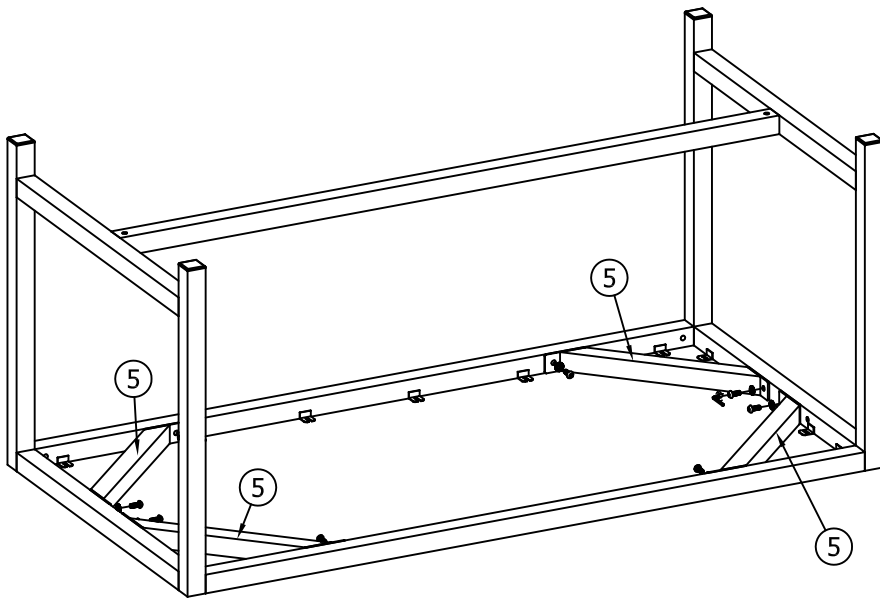
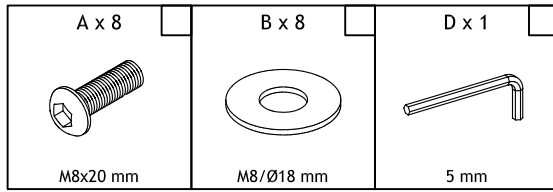
Step 4



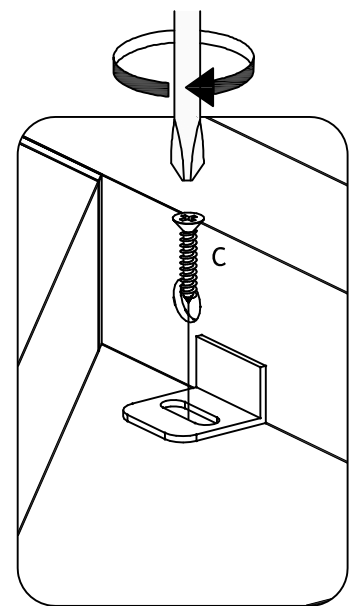
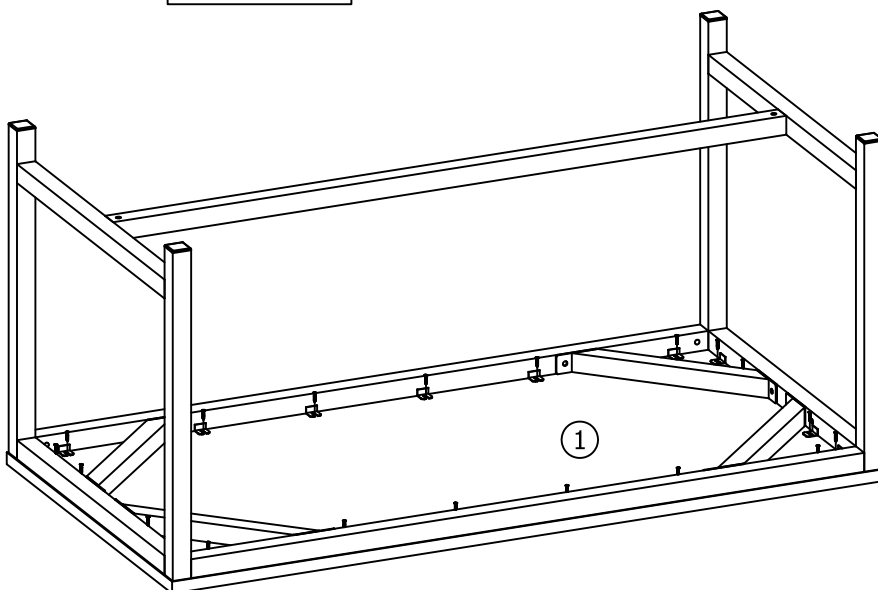
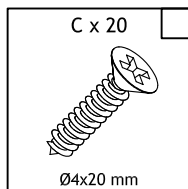
Wharf Dining table 155x80 cm

23696594

Step 5



Step 6



Wharf Collection

freedom 

Congratulations on your purchase of Wharf.

Time, wear and tear have given the Wharf range its unique character. The weathered elm is recycled from 100-year-old Chinese doors, and each piece tells its own story through the natural characteristics in the timber.

Working closely with our suppliers, we have carefully sourced pieces of recycled elm that tell a story of its heritage through its warm and antiquated surface. The Wharf range is rich with natural characteristics such as splits, knots, hinge marks, shape and grain. The simple but functional design of Wharf furniture showcases these natural characteristics in the reclaimed timber, with no two pieces alike.

Your Wharf piece might show any or all of the following characteristics:



Hinge marks (underside)



Patches



Colour variation



Splits



Uneven edge



Grain

Care Instructions

Periodically check and re-tighten any fasteners.

Dust weekly using a soft, clean cloth.

Do not use harsh abrasives, chemicals or polishes containing silicone.

Avoid direct sunlight, as this will cause the timber to change colour.

It is important to remove moist substances immediately.

Recommended for indoor use only.

freedom