

S. Essentials Dining Chair Deluxe

23704787/23704794/23704800

Thank you for purchasing the S. Essentials Dining Chair Deluxe. Before you begin to assemble your new piece of furniture, please check to ensure that all hardware and parts have been supplied. This page lists all contents included in the carton(s).

Follow instructions closely as deviation from them may present a possible safety risk and may void your warranty.

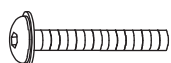
It is recommended that assembly is done on a soft surface such as carpet to avoid any damage.

If you experience any problems with your new purchase, please phone Freedom Customer Service (FCS) on 1300 135 588 (Australia) or 0800 469 327 (New Zealand).

Care Information

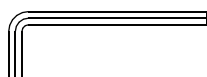
Periodically check and re-tighten any fasteners. Wipe down all surfaces weekly with a soft, clean cloth. Do not clean any surfaces with harsh abrasives or chemicals. Do not lean or press on the top of the chair back. Take care when sitting in chair or getting up out of the chair. Take care when operating the height adjustment.

Hardware (Supplied)



M6*28mm

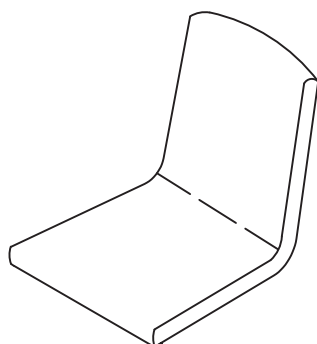
Part A x 4



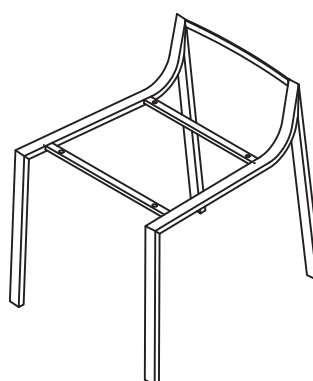
M6

Part B x 1

Parts



① x 1

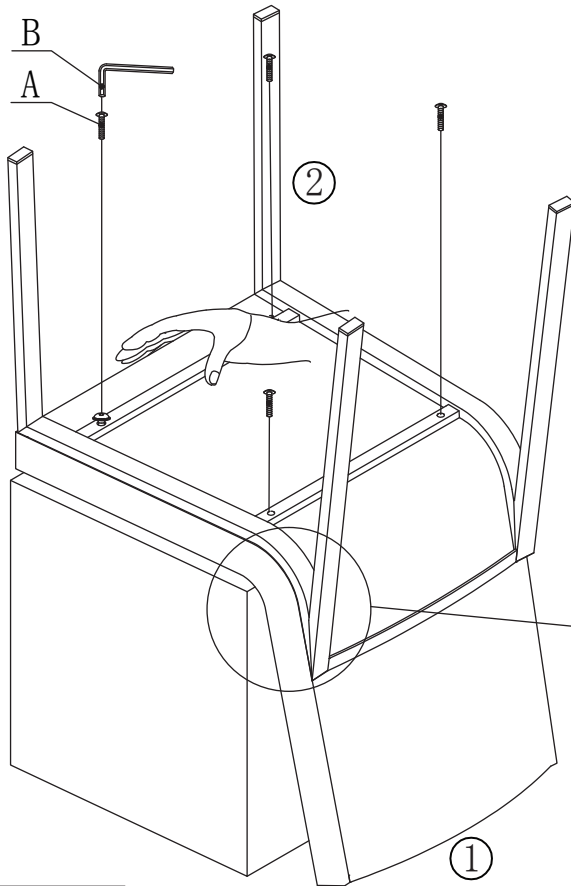


② x 1

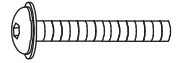
S. Essentials Dining Chair Deluxe

23704787/23704794/23704800

Step 1.



Ax4

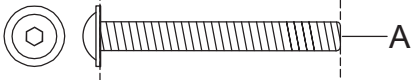
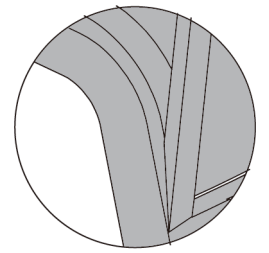
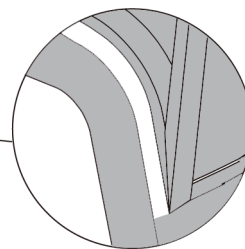


M6*28mm

Bx1



M6



Finished.

