

IRVING CARVER CHAIR

23745261

Thank you for purchasing the Irving carver chair. Before you begin to assemble your new piece of furniture, please check to ensure that all hardware and parts have been supplied. This page lists all contents included in the carton(s).

Follow instructions closely as deviation from them may present a possible safety risk and may void your warranty.

It is recommended that assembly is done on a soft surface such as carpet to avoid any damage. If you experience any problems with your new purchase, please contact Freedom Customer Service via livechat@freedom.com.au (Australia) or 0800 469 327 (New Zealand)

Care Information

Timber

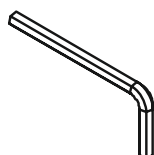
Periodically check and re-tighten any fasteners. Dust weekly using a soft, clean cloth. Do not use harsh abrasives, chemicals or polishes containing silicone. Avoid direct sunlight as this will cause the timber to change colour. It is important to remove moist substances immediately.

PU
Dust weekly with a clean dry duster. Protect from direct and indirect sunlight. Maintain at least 30cm between your furniture and heat sources. Use Freedom recommended care products designed for your furniture. Use care products strictly in accordance with the manufacturers instructions.

Hardware (supplied)



M6x14mm
A (x16)

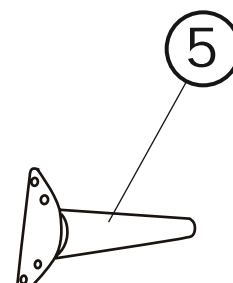
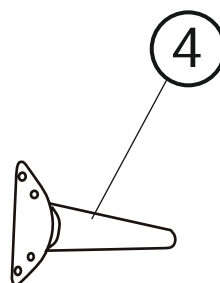
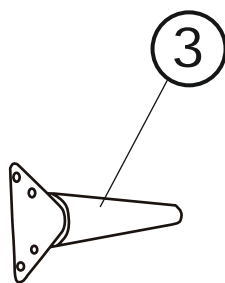
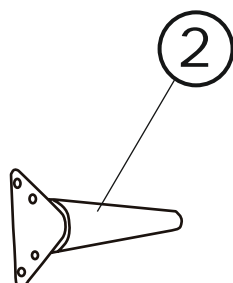
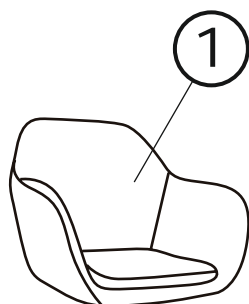


B (x1)



C (x4)

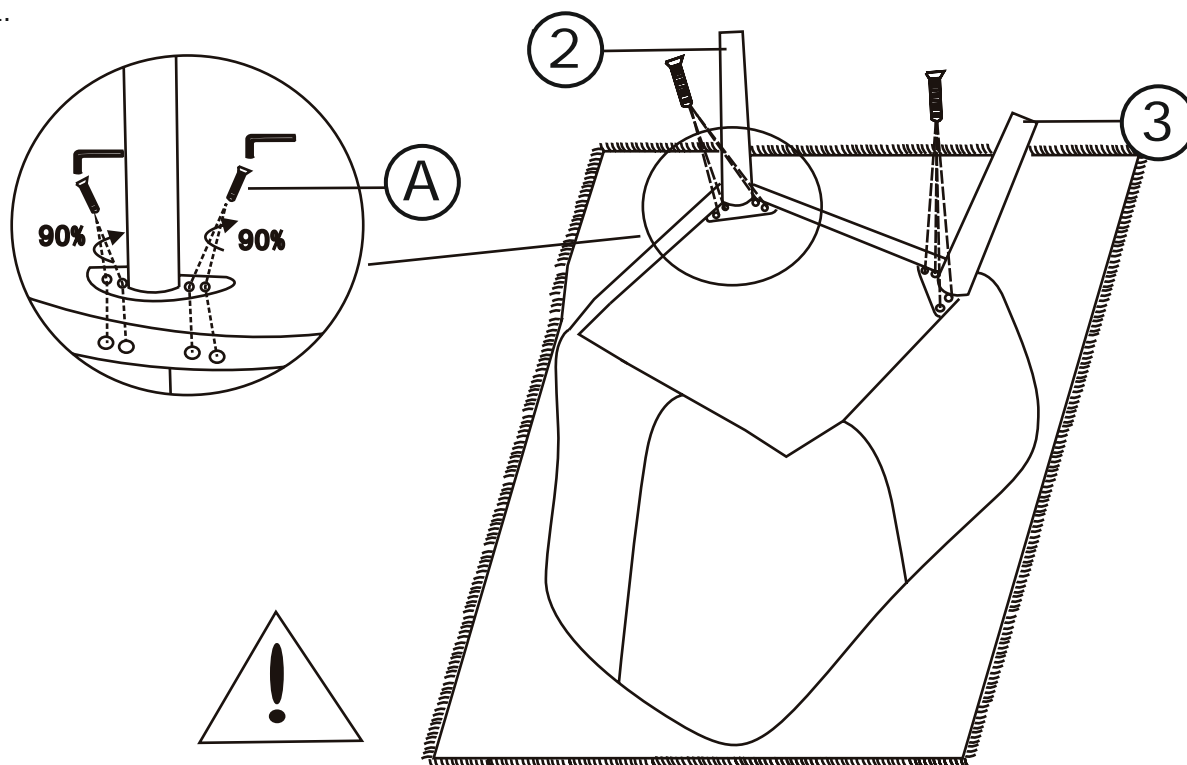
Parts



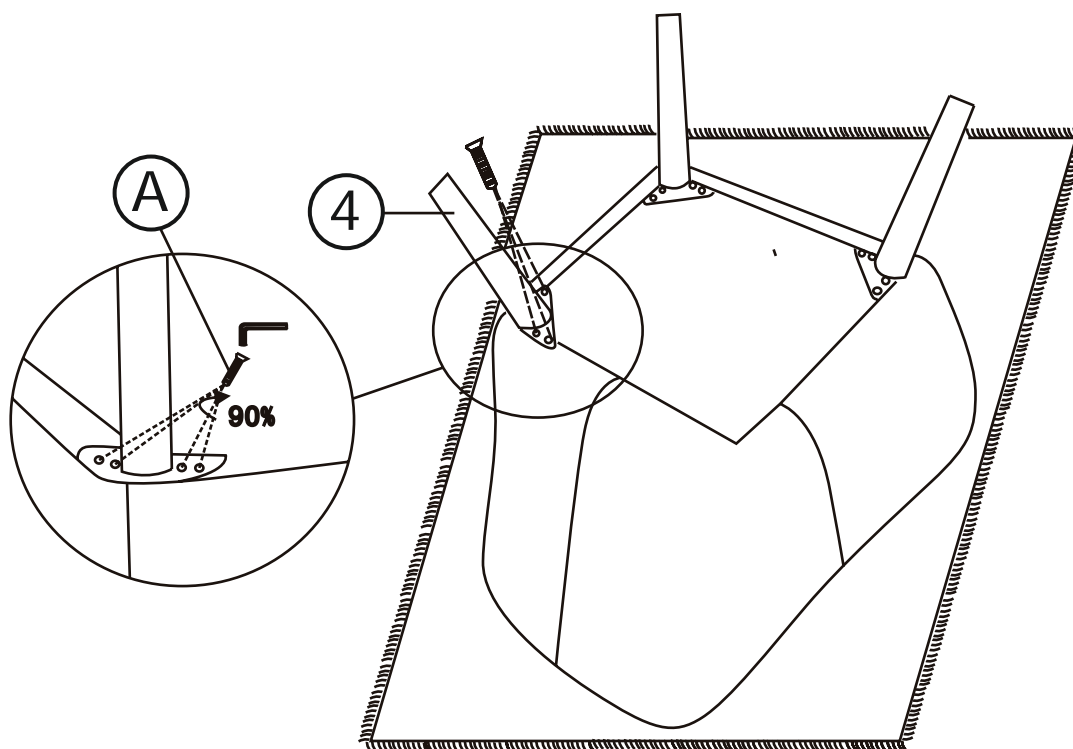
IRVING CARVER CHAIR

23745261

Step 1.



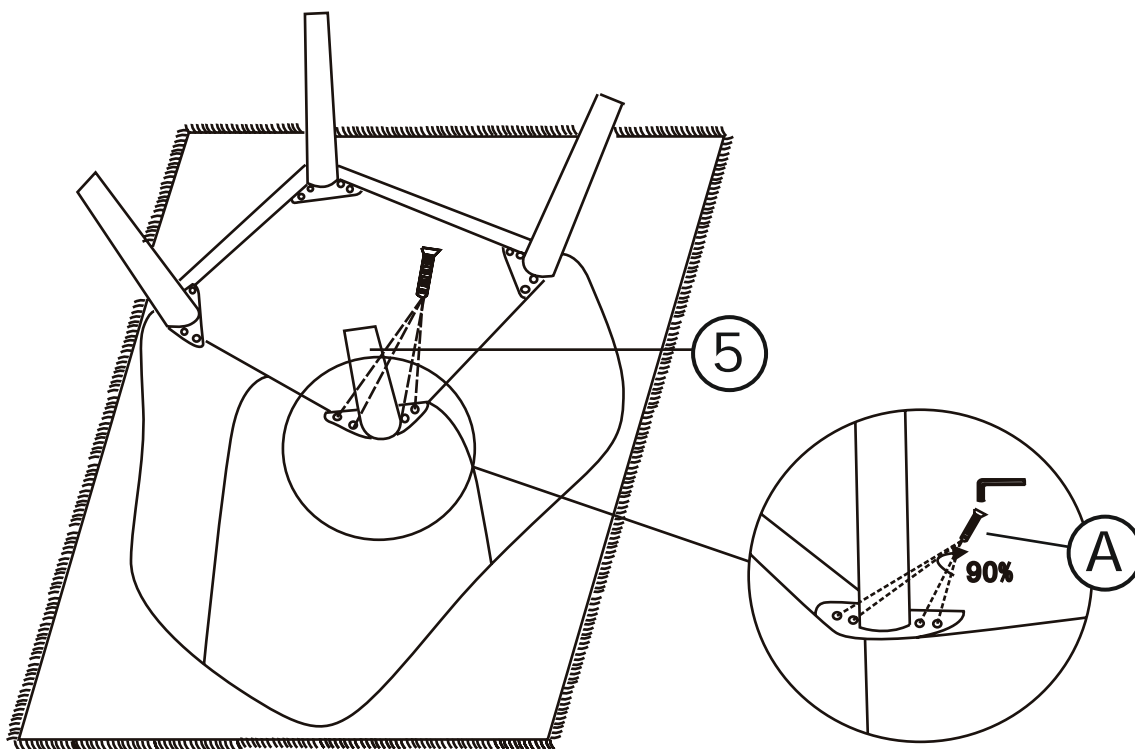
Step 2.



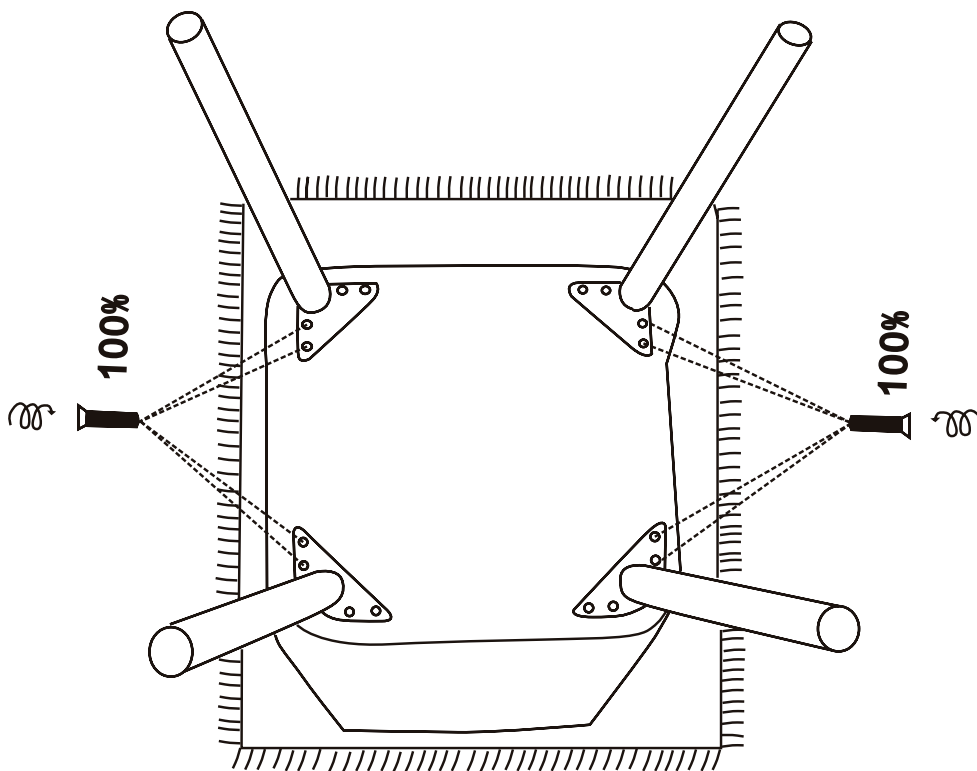
IRVING CARVER CHAIR

23745261

Step 3.



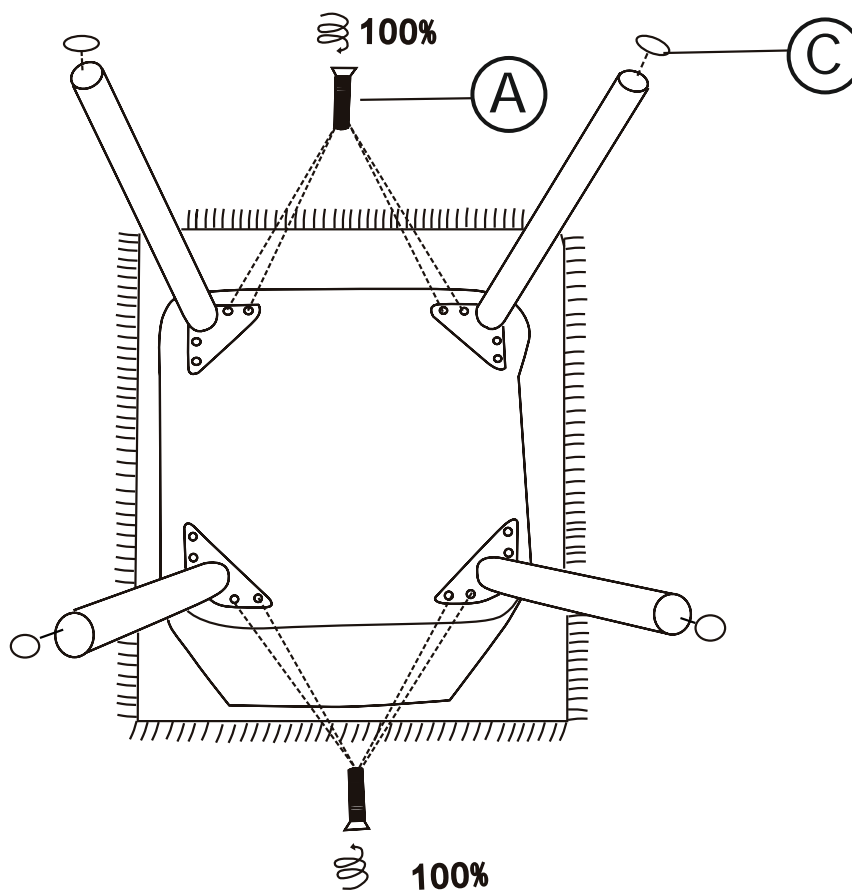
Step 4.



IRVING CARVER CHAIR

23745261

Step 5.



Step 6.

