

# IRVING OFFICE CHAIR

23813557

Thank you for purchasing the Irving carver chair. Before you begin to assemble your new piece of furniture, please check to ensure that all hardware and parts have been supplied. This page lists all contents included in the carton(s).

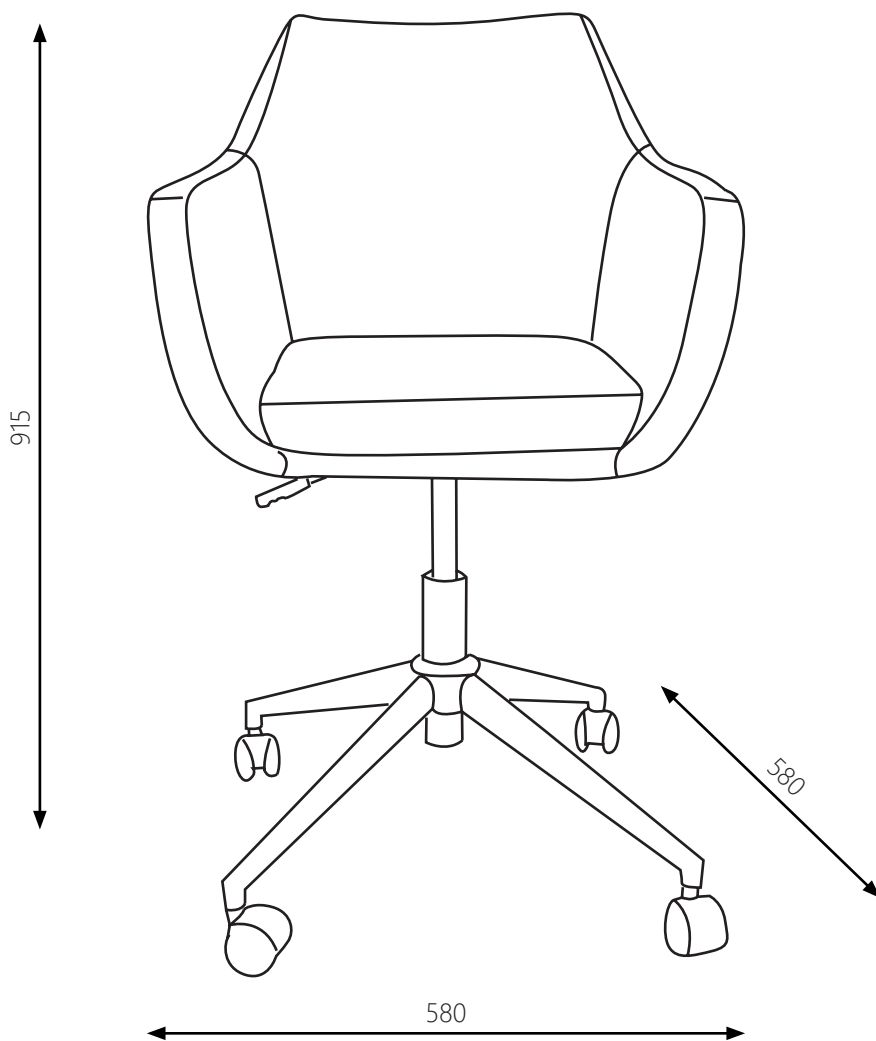
Follow instructions closely as deviation from them may present a possible safety risk and may void your warranty. It is recommended that assembly is done on a soft surface such as carpet to avoid any damage. If you experience any problems with your new purchase please phone Freedom Customer Service (FCS) 1300 135 588 (Australia) or 0800 469 327 (New Zealand)

---

## Care Information

PU

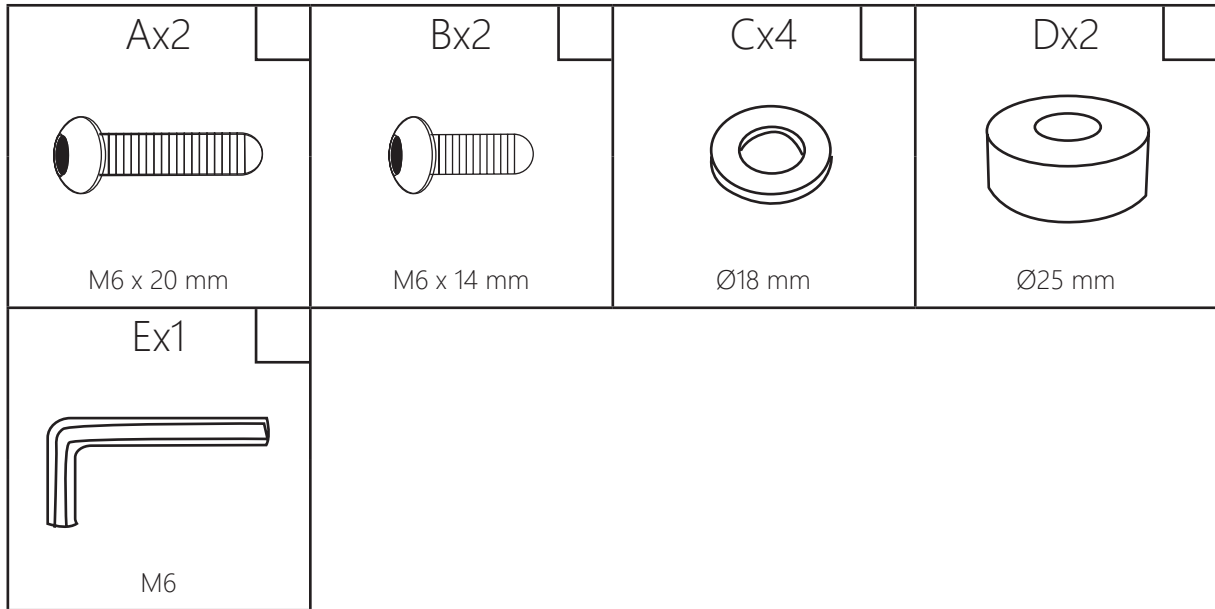
Dust weekly with a clean dry duster. Protect from direct and indirect sunlight. Maintain at least 30cm between your furniture and heat sources. Use Freedom recommended care products designed for your furniture. Use care products strictly in accordance with the manufacturers instructions.



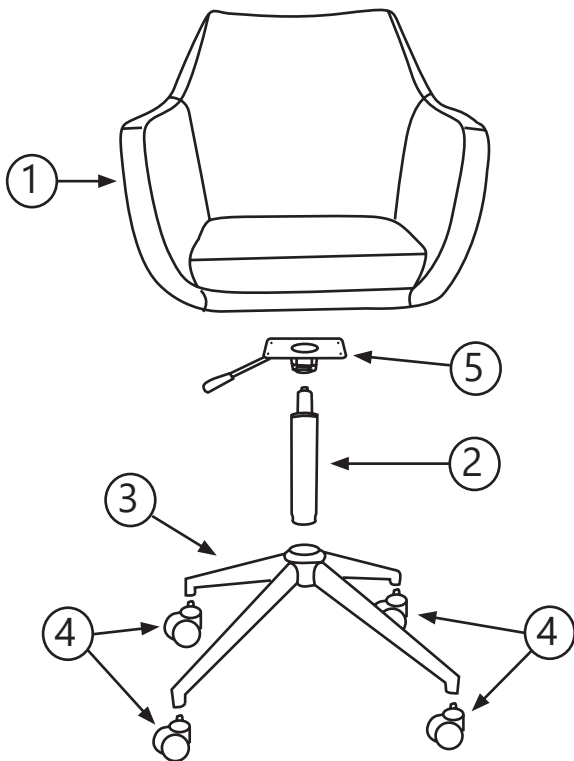
# IRVING OFFICE CHAIR

23813557

## Hardware (Supplied)



## Parts Supplied

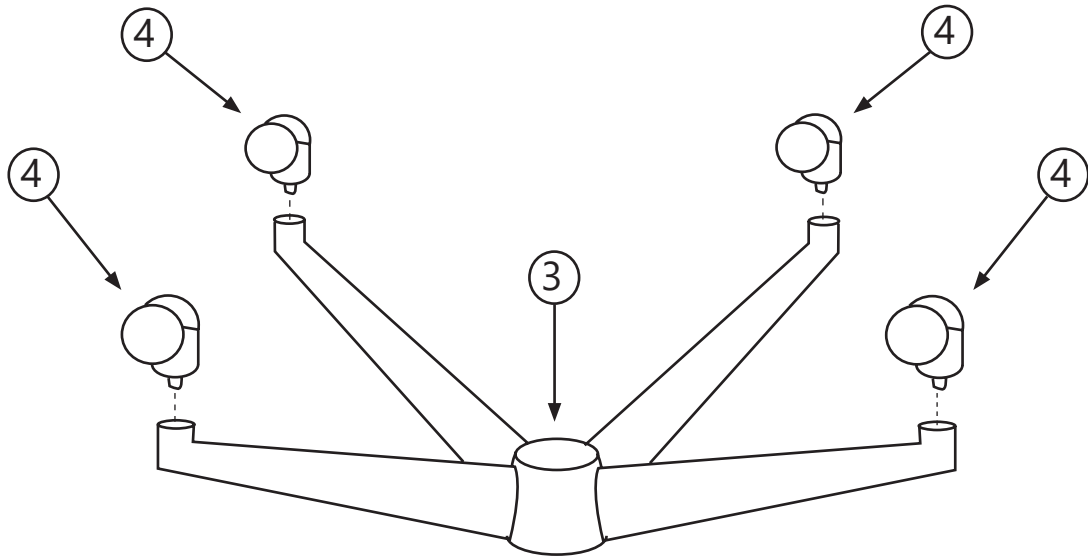


PART	QTY	SIZE	CHECK ✓
1	1	580 x 580 x 495 mm	
2	1	Ø45 x 255 mm	
3	1	170 x 680 x 680 mm	
4	4	50 x 65 x 80 mm	
5	1	170 x 170 x 50 mm	

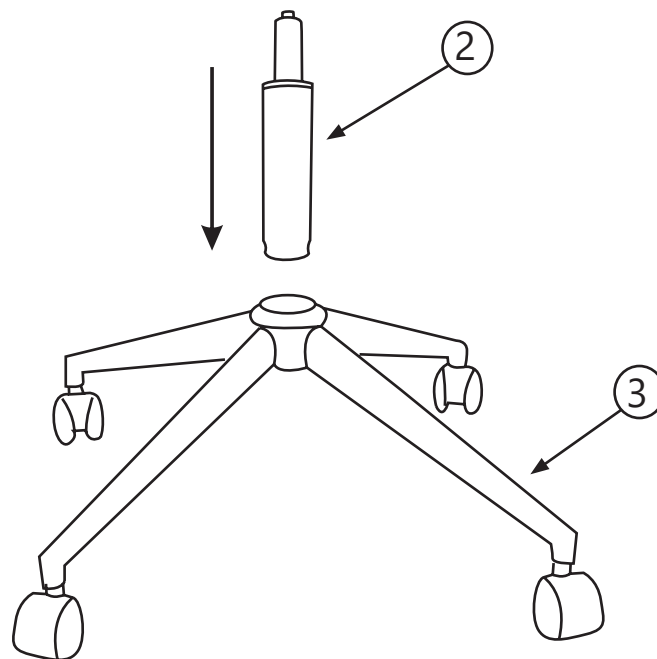
# IRVING OFFICE CHAIR

23813557

Step 1



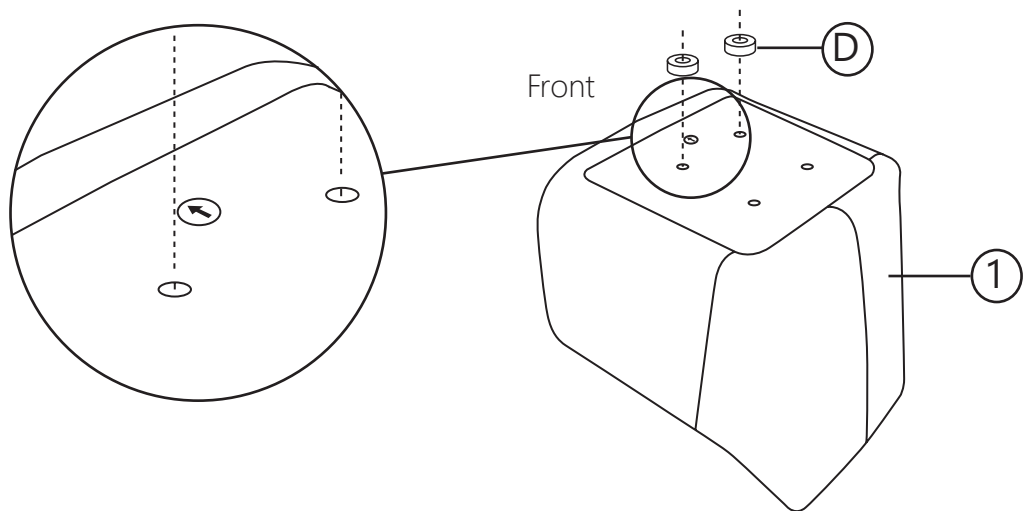
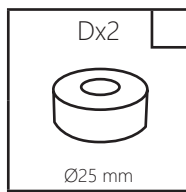
Step 2



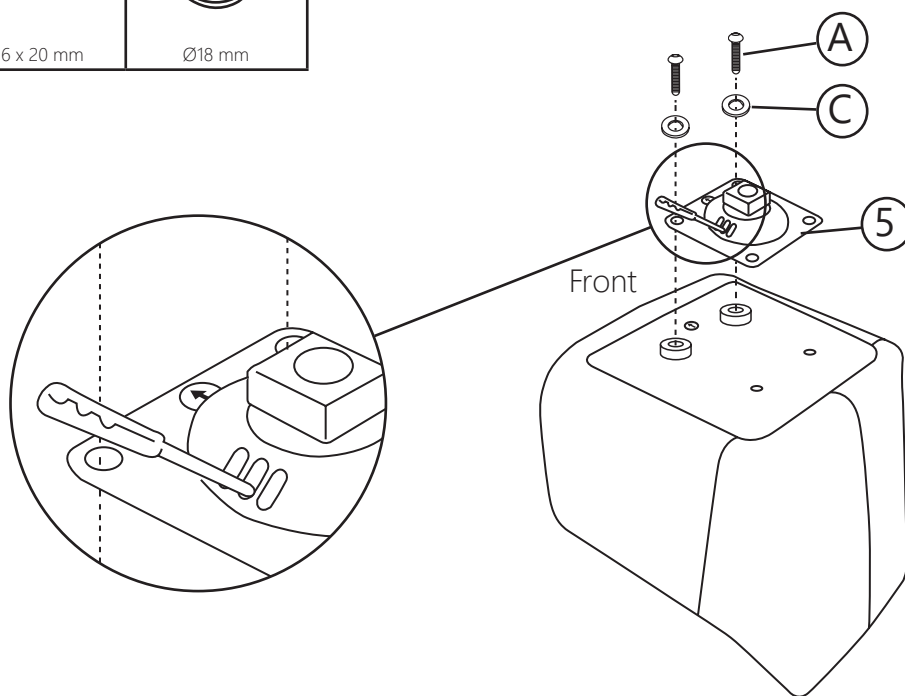
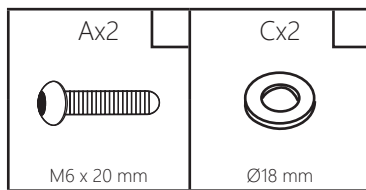
# IRVING OFFICE CHAIR

23813557

Step 3



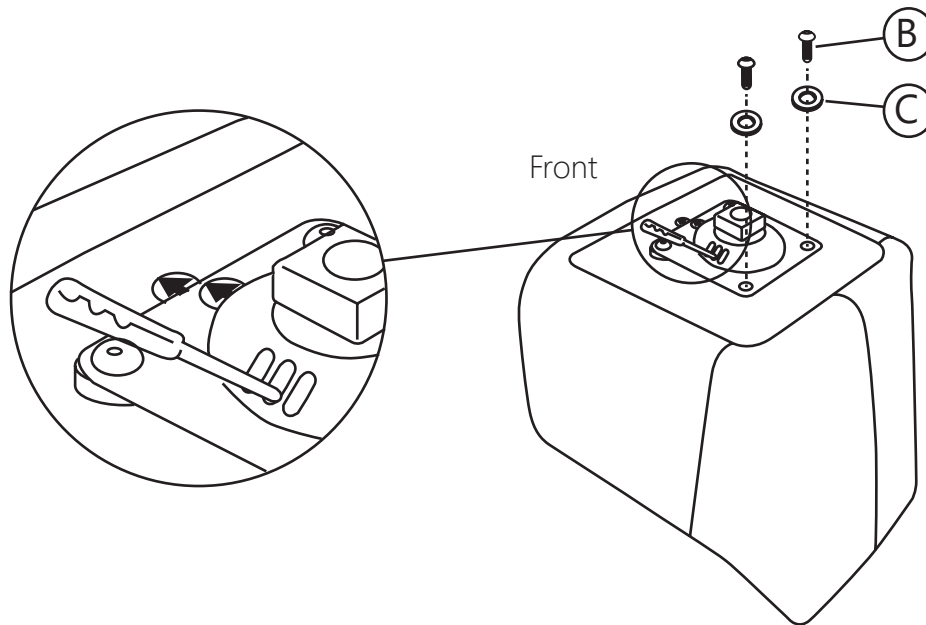
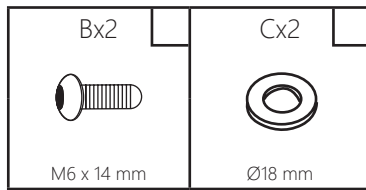
Step 4



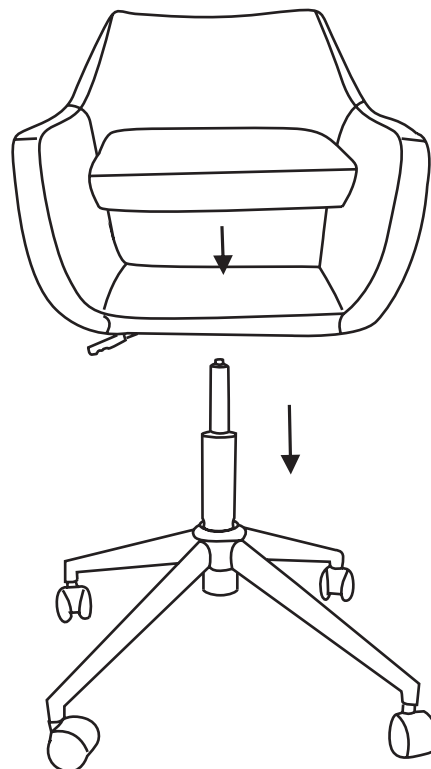
# IRVING OFFICE CHAIR

23813557

Step 5



Step 6



# IRVING OFFICE CHAIR

23813557

Step 7

