

- Thank you for purchasing the **S-fold Curtain Track System**. Please check to ensure that all hardware and parts have been supplied. This page lists all contents included in the packaging.
- Follow instructions closely as deviation from them may present a possible safety risk and may void your warranty.

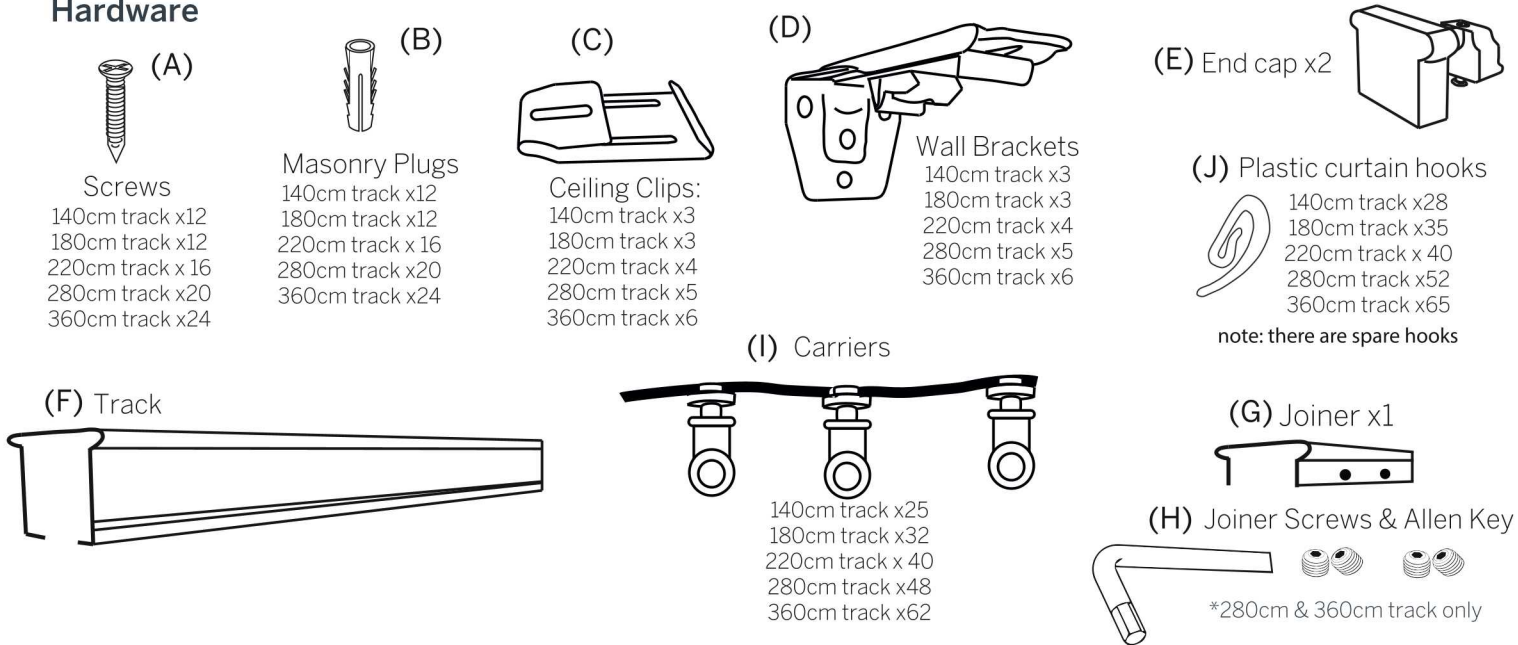
For accurate curtain lengths install your S-fold tracks first then measure your curtain drop.

**** For measuring instructions see our 'How to measure guide' online or in-store**

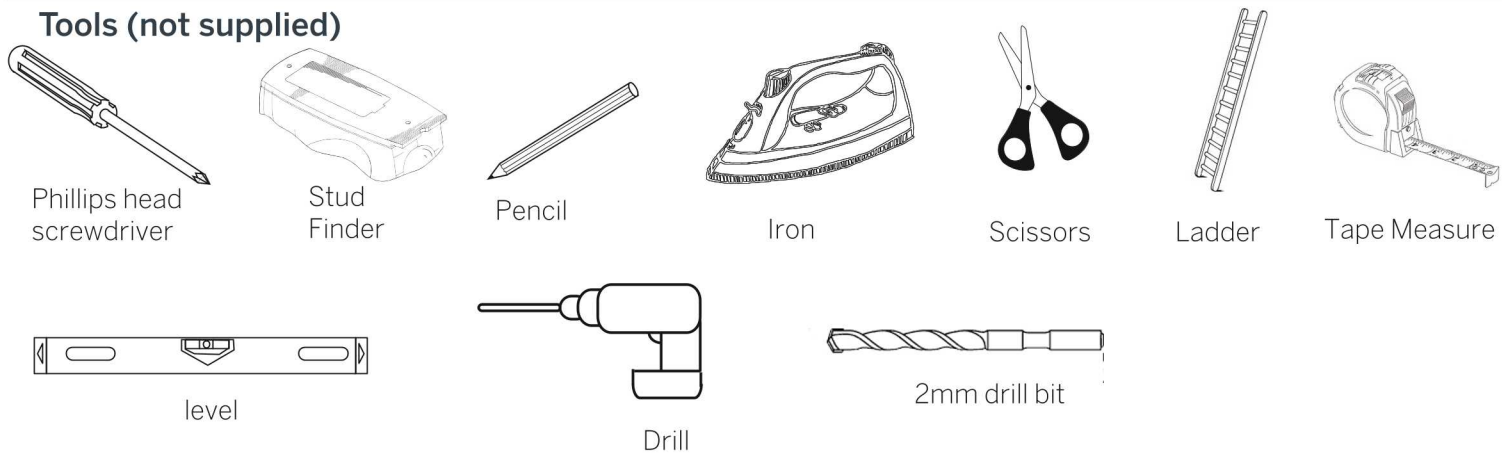
Care Information

Remove curtains and regularly vacuum carefully inside track to ensure smooth operation.

Hardware



Tools (not supplied)



Installing the S-Fold Curtain Track

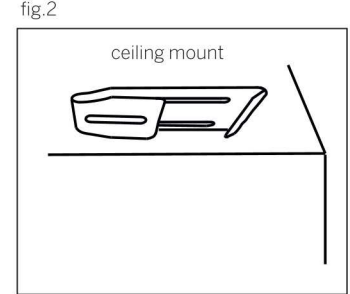
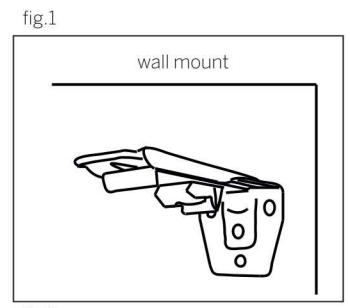
WARNING: Check what substrate you are fixing into and that there is sufficient support for the weight of the curtains and brackets.

***The brackets must be fixed into studs, brick or timber to ensure the weight of the curtains and tracks are supported.

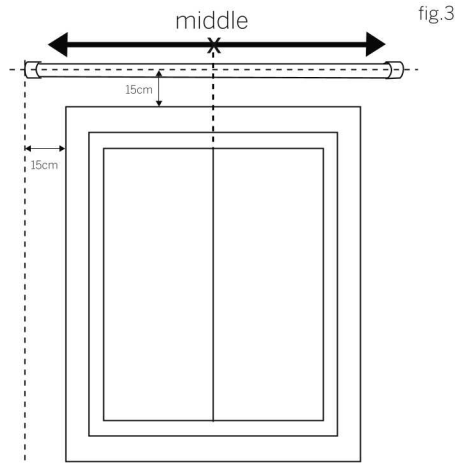
It is essential that a stud finder is used to locate wall studs.

Positioning the s-fold curtain track.

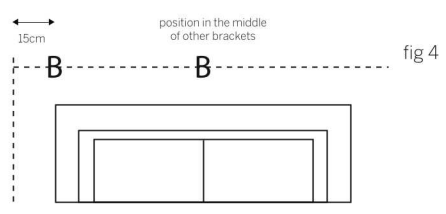
1. Choose Wall Mount or Ceiling mount: (fig 1 & 2)
 the s-fold track system includes bracket options for wall and ceiling mount.
 choose your preferred option.
 - your ceiling height may determine this as ready made curtains
 come in set lengths.



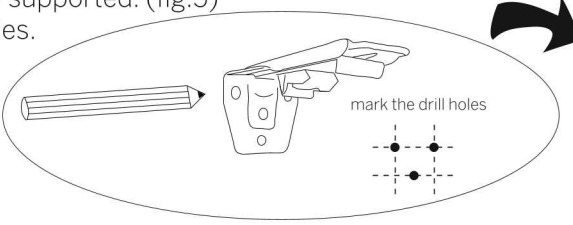
2. Position your track: (fig 3)
 There are 2 options:
 - middle of window: if the window is in the centre of the wall, this will be
 your preferred method.
 - centred to wall: a good option if the window is off-centred or you are using the
 s-fold curtain to cover some of the wall as well as the window.
 - we recommend that the curtain track overhangs the window by a minimum
 of 15cm
 Choose an option and find the centre



3. Position your brackets: (fig 4) B
 Decide which end will be your fixed end. This end will remain fixed at all times with
 the curtain being drawn from the other end.
 Beginning from the outer ends of the track, position the first bracket
 15cm in from each end.
 The remaining brackets should be spaced as recommended in the chart below to
 ensure the curtain weight is evenly supported. (fig.5)
 - Using the pencil mark the drill holes.

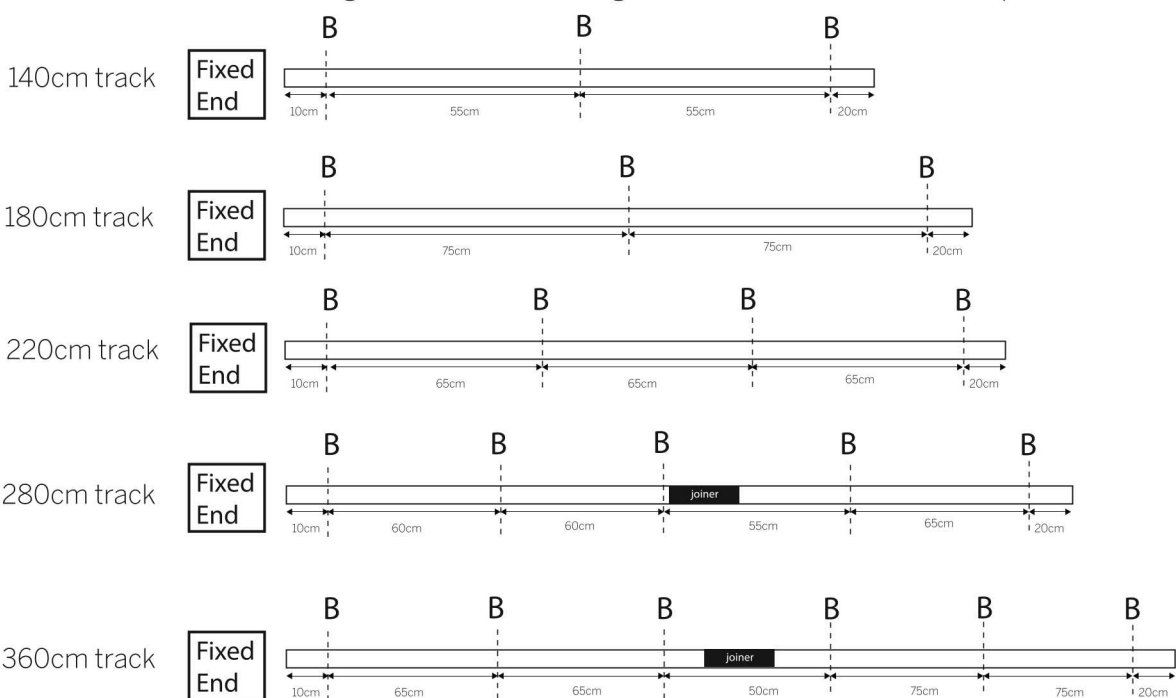


Note: the same steps are used for both wall and ceiling brackets



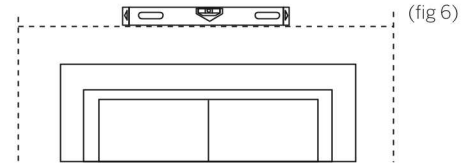
Recommended bracket positions:

Note: some brackets may need to be moved slightly depending on the position of your wall timbers. Use your stud
 finder to locate wall/ceiling timbers and use this guide as an indication of bracket position.



4. Drill your pilot holes

WALL BRACKETS ONLY: now is the perfect time to check your levels. The s-fold track needs to be level to operate correctly and also will be very noticeable if not level. (fig.6)

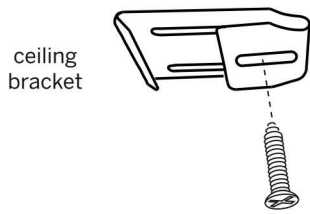


Before drilling any holes use your stud finder to ensure that screws will be secured into wall/ceiling timber. You may need to move your brackets accordingly.

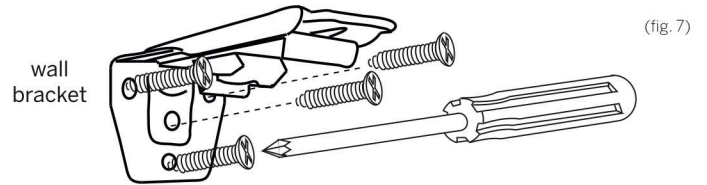
TIP: Pilot holes are smaller than the screw size. This allows you to easily insert the screws however still has enough timber for the the screws to grip into.

5. Secure your brackets (fig.7)

Using your phillips head screw driver attach your brackets to the wall or ceiling using the screws provided.



(fig. 8)

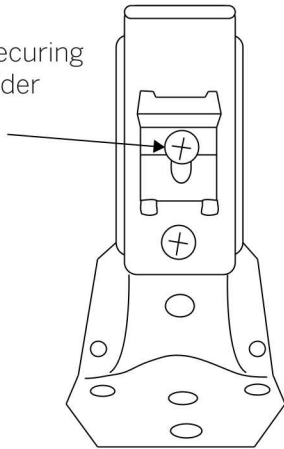


(fig. 7)

6. Installing the track into the brackets

Using your phillips head screw driver attach your brackets to the wall (fig.8) or ceiling (fig.7) using the screws provided. For ceiling mounted brackets, only partially screw in the bracket. install the track and then tighten. this will bend the fold in the bracket tighter, securing the track.

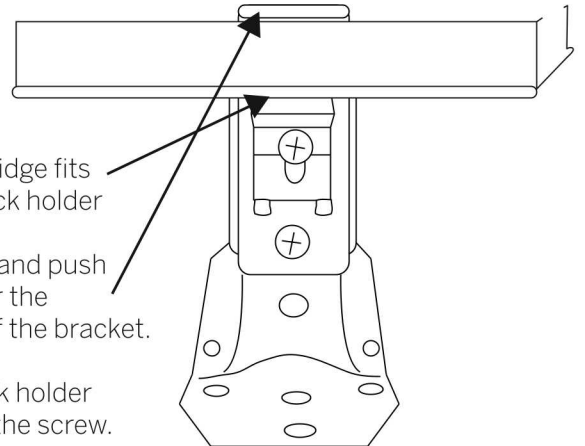
Loosen the screw securing the plastic track holder



Tilt the track so the ridge fits under the plastic track holder

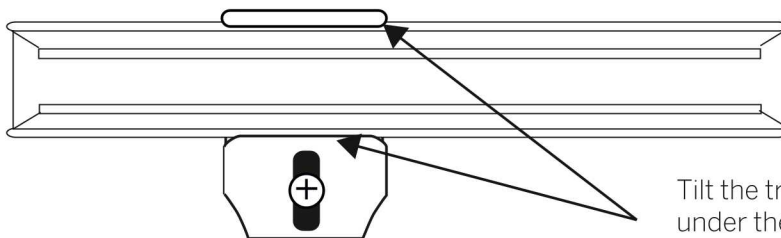
Straighten the track and push the other edge under the curved metal edge of the bracket.

Push the plastic track holder forward and tighten the screw.



Repeat until all the track is installed into each bracket securely.

(fig. 9)



Tilt the track so the ridge fits under the metal lip.

Straighten the track and push the other edge under the curved metal edge of the bracket.

Double Tracks:

Wall mounted: Use Double Bracket (sold separately) to mount both Blockout and Sheer curtains on the same window. Double Brackets are installed using the previous steps on pages 2 -3. Once installed, double brackets can be adjusted to reduce curtains from catching on each other and allow smooth gliding.

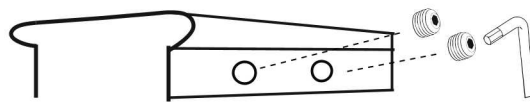
Ceiling Mount: a double row of curtains can be mounted using the ceiling clips already included in the S-fold track pack. Tracks should be mounted approximately 12cm apart to ensure curtains do not catch on each other. This distance may change slightly depending on which curtains are been hung. Fold and measure your curtains to double check.

Using the S-fold track joiner:

280cm and 360cm s-fold tracks comprise of 2 track pieces with 1 joiner included in the pack.

follow steps 1-5 as instructed.

At step 6 connect the 2 tracks together using the joiner . Insert the plug screws into the holes in the joiners and tighten with the allen key provided. Secure the track into the brackets.

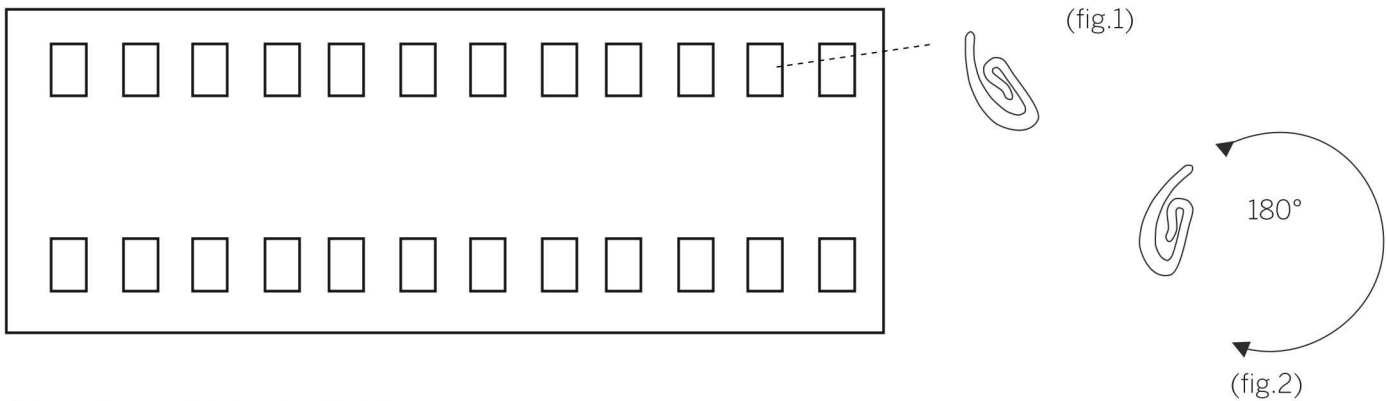


Your Freedom S-fold track is now ready for curtains. Curtain hooks and installation instructions can be found in your S-fold curtain.

Your Freedom S-fold track system should now be installed following the instructions above. Please take time to check all screws have been tightened and components are fitted correctly.

WARNING: CURTAIN HOOKS ARE SHARP. take care not to place your finger on pointed edge. Wear covered footwear during installation.

1. Lay your curtain on a flat surface with the face side down exposing the specially designed S-fold tape on the reverse side.



2. Inserting curtain hooks (fig 1.)

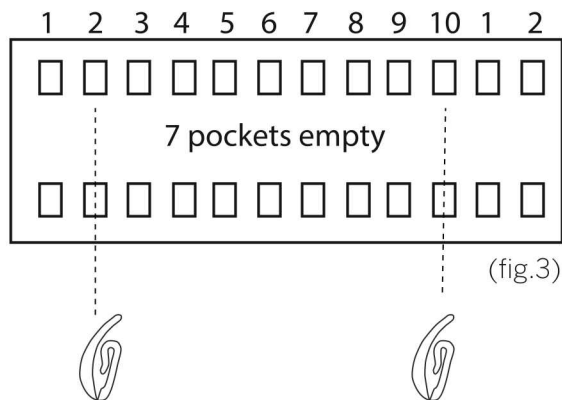
Curtain hooks are inserted into the top row of the tape only.

Beginning with the 2nd pocket, insert the curtain hooks into the pocket with the pointed end facing up towards the top of the curtain. Turn the curtain hook over 180° so the pointed end of the curtain hook is now facing downwards.(fig 2.)

Note: beginning with the 2nd pocket ensures the plastic carriers are hidden from sight resulting in a neater finish.

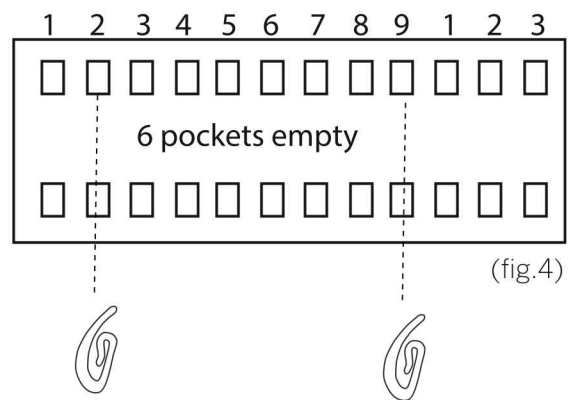
Blockout S-fold curtains (fig.3)

insert hooks every 9th pocket



Sheer S-fold curtains (fig.4)

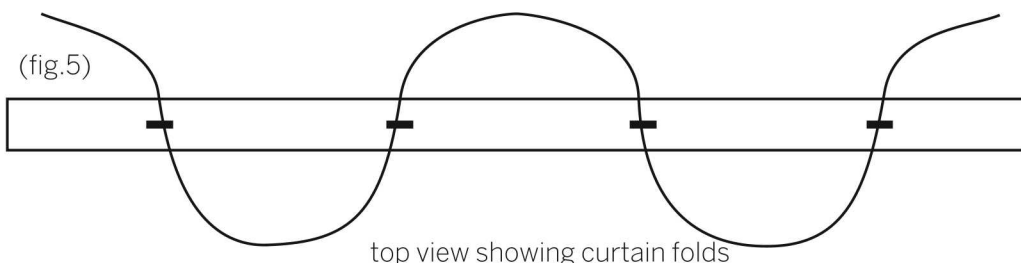
insert hooks every 8th pocket



Note: creating the perfect folds.

Remember that each fold must have 2 sides, and to create 2 sides there needs to be 2 hooks (fig.5). Freedom S-fold tracks packs may contain extra hooks. to ensure perfect folds from start to finish you will need to use an even number of hooks throughout the width of the curtain.

As the tape pockets may be slightly uneven, you will need to adjust the curtain hook positioning slightly.



readymade s-fold curtains continued.....

3. Hanging your curtains

We recommend 2 persons to hang the S-fold curtains, one person to insert the hooks and the other person holding the curtain. This reduces the pressure on the start of the track when beginning to hang the curtain.

With the fabric side of the curtains facing you, begin at the FIXED END of the curtain track. Insert the pointed end of the curtain hook through the hole in the S-fold carriers ensuring that the pointed section of the hook is pointing in a downwards direction when finished.

Move along the track and insert all curtain hooks into the carriers.

4. The last carrier

You will notice that there are 2 carriers left and only one curtain hook.

Insert the remaining curtain hook into the LAST CARRIER. This will leave one carrier without a hook.

This carrier can be used to attach the CURTAIN WAND, should you choose to use it.

5. Adjust the curtain folds

Starting at one end adjust each curtain fold so that the entire curtain forms a series of perfect waves.

6. Hemming your curtain (fig.6)

NOTE. We recommend that you leave your S-fold curtains hanging for 1 week to ensure creases have dropped out.

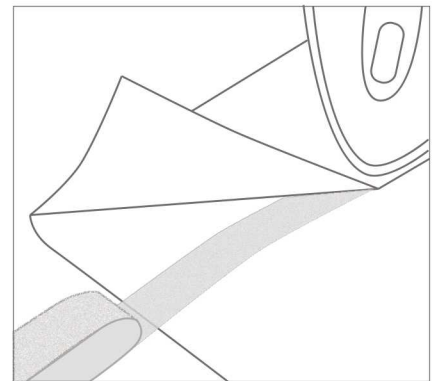
Using a warm iron or steam iron on the face side of the fabric may be used to reduce any creases.

Your S-fold curtain pack contains a roll of hemming tape.

Simply pin or mark with chalk your desired curtain length while the curtain is hanging.

You may need to cut excess fabric at this point as a maximum hem of 10cm is recommended.

(fig.6)



6. Hemming your curtain (fig.7)

Place the hemming tape in between the layers of fabric, making sure the fabric is completely covering the tape.

important: the tape melts becoming glue and is hot when melted.

You can remove the curtain from the track or iron on the hemming tape while the curtain is hanging.

Using an ironing board, iron on the fabric side of the curtain only. Never iron the coated side of the curtain

(fig.7)

