

# EAST PORT Buffet 2 Door 1 Drawer Crisp White

## 23895515

Thank you for purchasing the East Port Buffet 2 Door 1 Drawer Crisp White. Before you begin to assemble your new piece of furniture, please check to ensure that all hardware and parts have been supplied. This page lists all contents included in the carton(s).

Follow instructions closely as deviation from them may present a possible safety risk and may void your warranty.

It is recommended that assembly is done on a soft surface such as carpet to avoid any damage.

If you experience any problems with your new purchase, please phone Freedom Customer Service (FCS) on 1300 135 588 (Australia) or 0800 469 327 (New Zealand).

### Care information

**General:** Avoid direct sunlight. Wipe down all surface using a damp cloth weekly. Do not use harsh abrasives or chemicals. Always use mats to protect the surface from hot or cold items. Wipe up spills immediately. periodically check and retighten any fasteners.

**Timber:** Freedom offers a range of quality care products that can help to enhance the durability of the timber finish. Use care product strictly in accordance with application instructions. Please note that applying these care product will slightly alter to look anh feel of the timber. Please visit your Freedom store for more information.

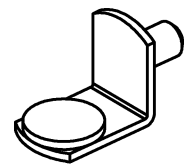
### Hardware



**A x 2**  
(Not supplied)

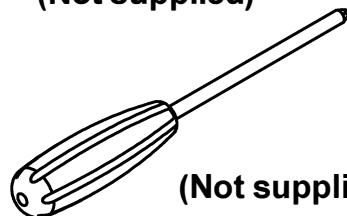


**B x 2**  
(Not supplied)



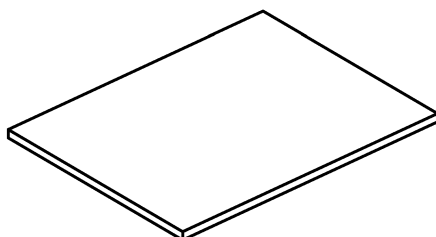
**C x 8**

### Tools Required

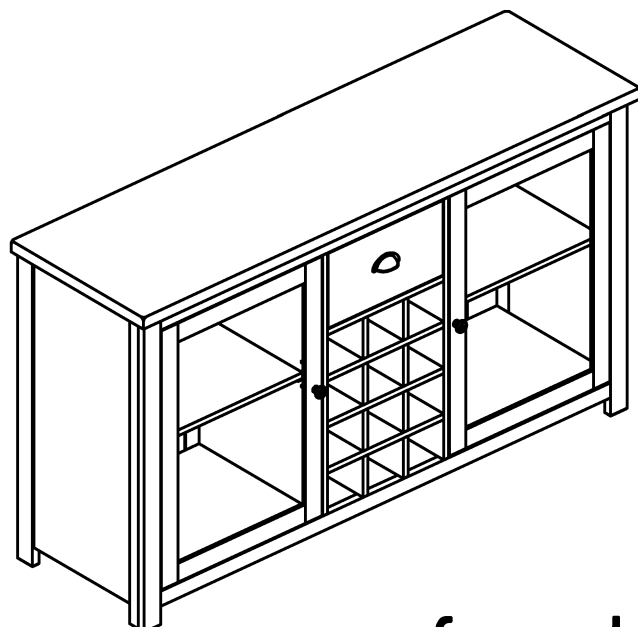


(Not supplied)

### Parts list



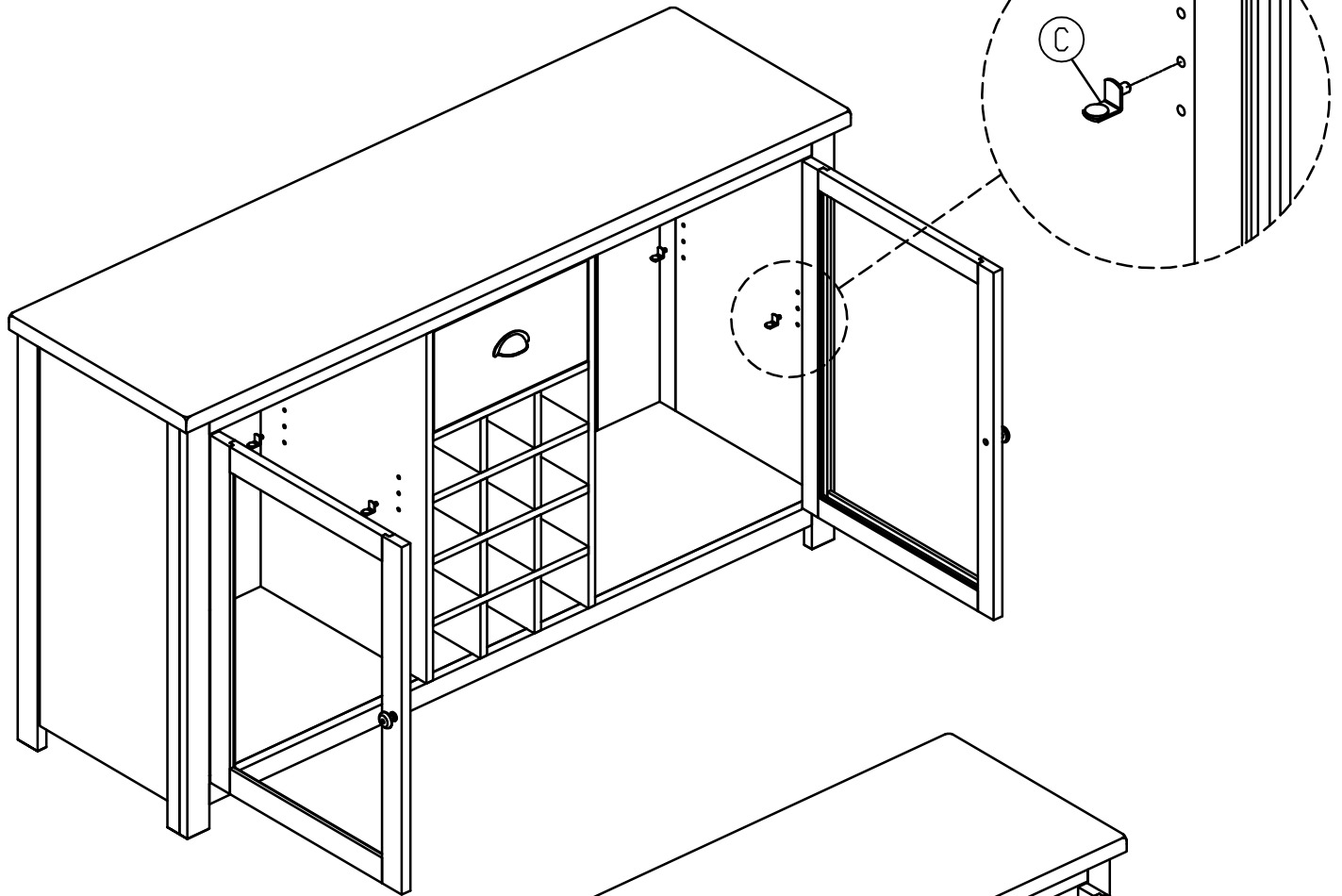
**D x 2**



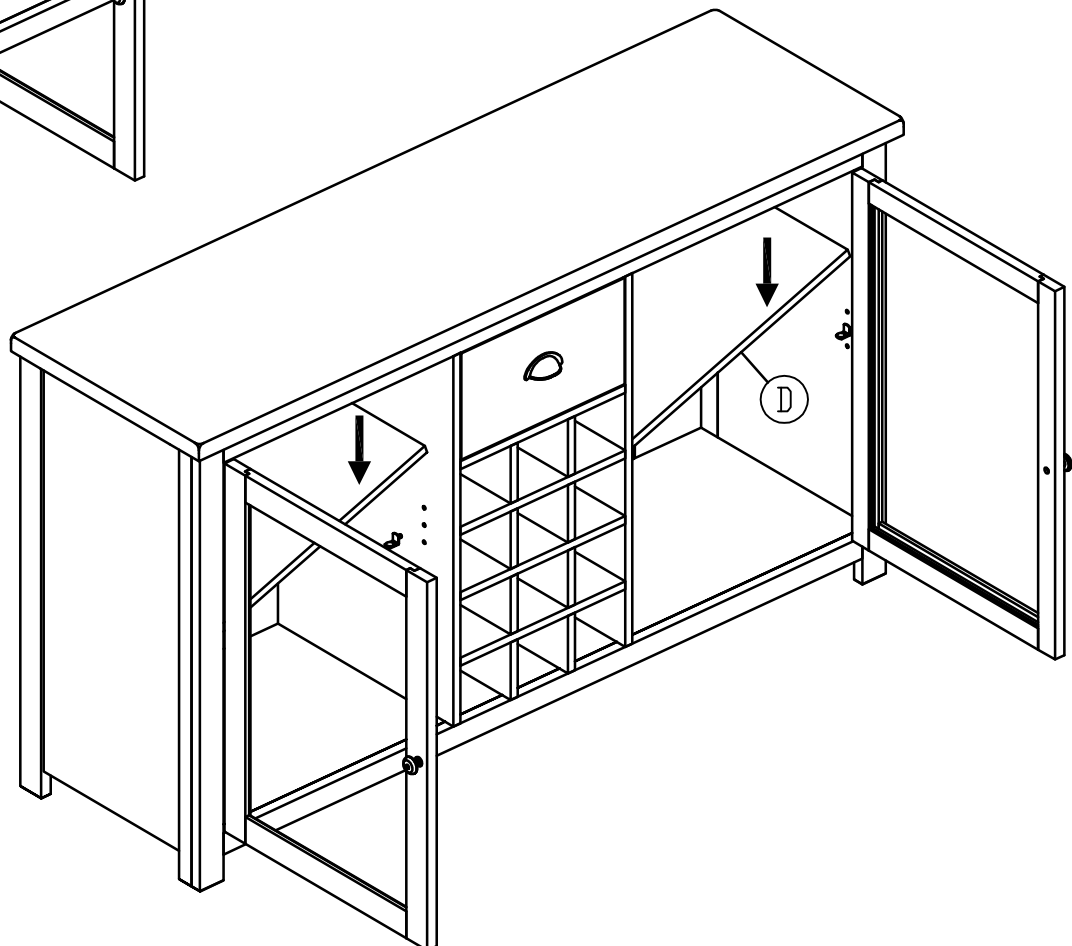
# EAST PORT Buffet 2 Door 1 Drawer Crisp White

23895515

## Step 1



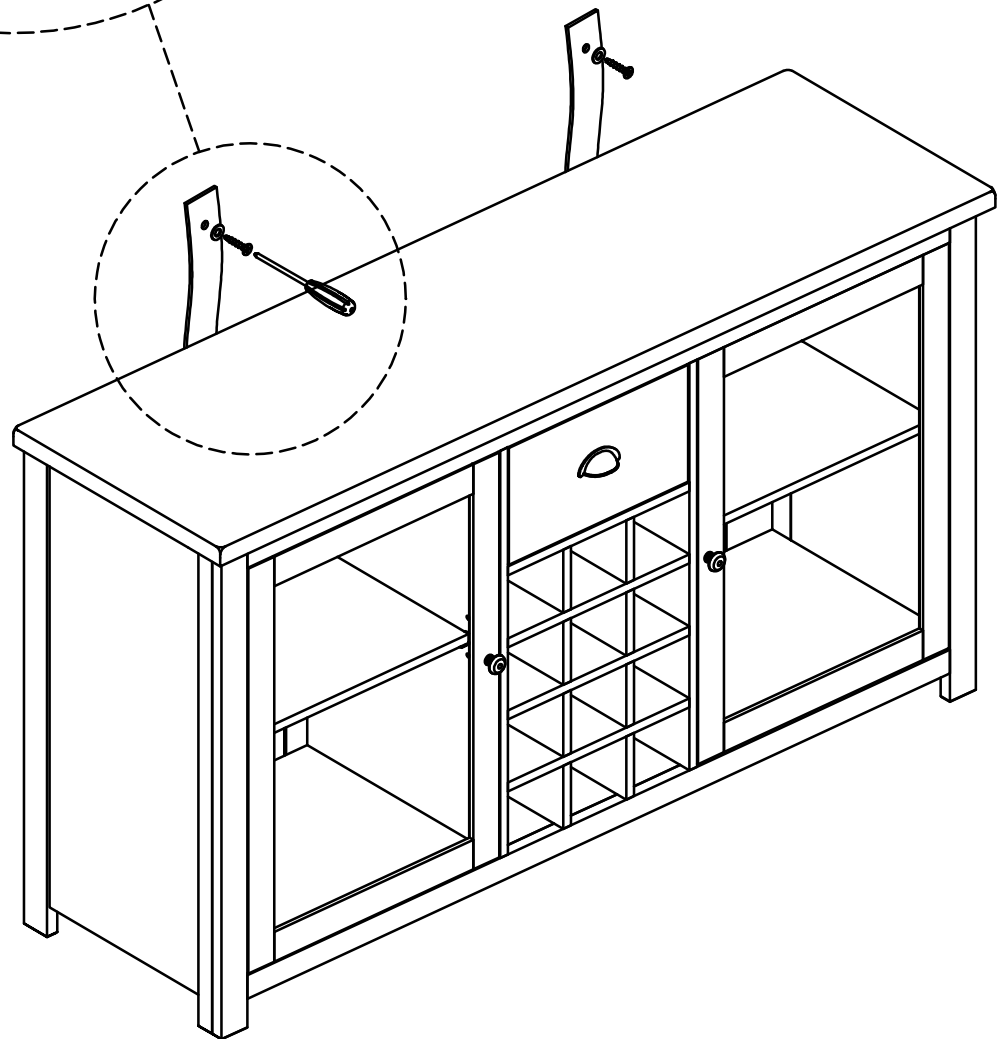
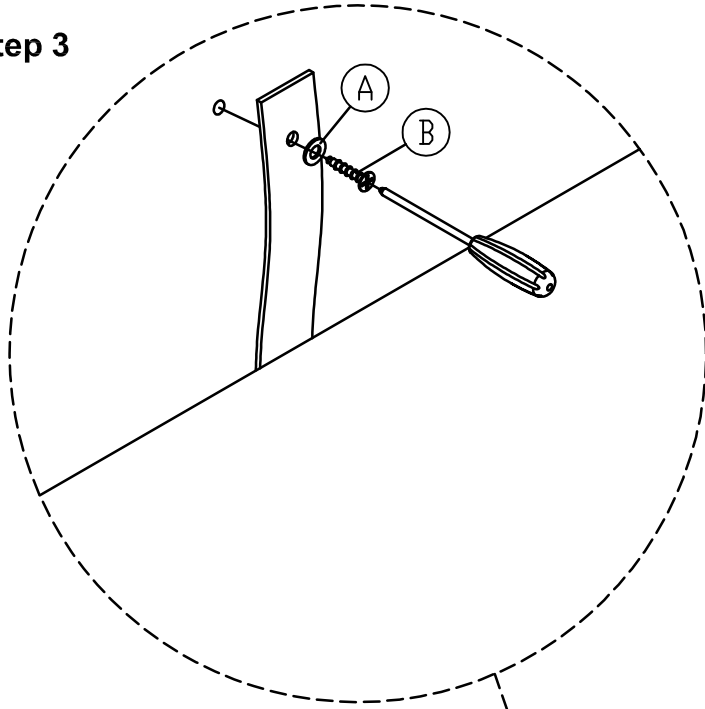
## Step 2



# EAST PORT Buffet 2 Door 1 Drawer Crisp White

23895515

## Step 3



## EAST PORT Buffet 2 Door 1 Drawer Crisp White

23895515

**FINAL Step:** Attach anti tilt strap or bracket to wall

**WARNING:**

To prevent your furniture from tilting forward and possibly causing property damage or personal injury it is recommended that you Securely attach the anti-tilt straps or brackets provided to your wall using appropriate fixings

**IMPORTANT:**

DO NOT place toys or other child appealing items on top of this furniture

AVOID fully opening all drawers at the same time

DO NOT ALLOW Small children to climb onto Drawers, shelves or to swing from open doors

**CAUTION:**

For your safety when attaching the anti-tilt fixings;

Check for any electrical wires or plumbing inside the wall before drilling any holes (if you are unsure please seek professional advice from a qualified tradesman)

Walls are constructed from different materials eg; Masonry (solid brick) or plaster board lined cavity walls (hollow).

It is important that you use the appropriate wall fixings for your wall type. (Your local hardware store will have the necessary drills and fixings and can offer advice if needed)