

Zarbun Shoe Rack 3 Tier

23900202

FREEDOM

Thank you for purchasing the **Zarbun Shoe Rack**. Before you begin to assemble your new shoe rack please check to ensure that all hardware and parts have been supplied. This page lists all contents included in the carton(s).

Follow instructions closely as deviation from them may present a possible safety risk and may void your warranty.

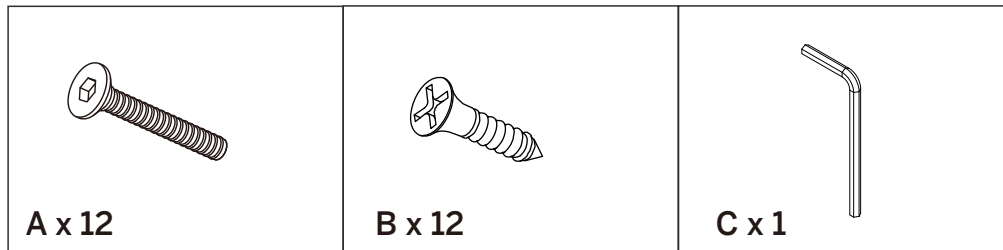
It is recommended that assembly is done on a soft surface such as carpet to avoid any damage.

If you experience any problems with your new purchase please phone Freedom Customer Service (FCS) on 1300 135 588. Customers outside Australia should contact their closest Freedom store.

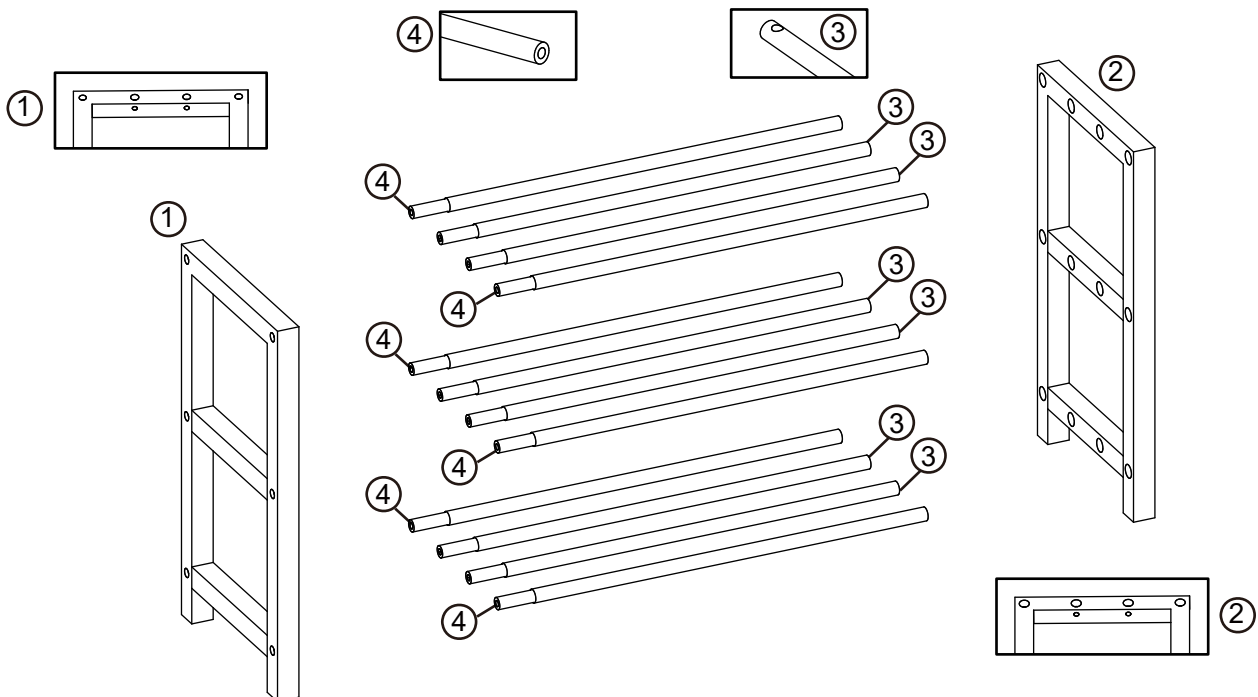
Care Information

Periodically check and re-tighten any fasteners. Avoid direct sunlight. Dust the surface weekly using a soft cloth. Please note that metal surfaces with everyday use, you must expect some visual signs of wear on the surface of the product. It is important to remove moist substances immediately. Remove stains with a soft cloth to avoid marks on the surface.

Hardware (Supplied)



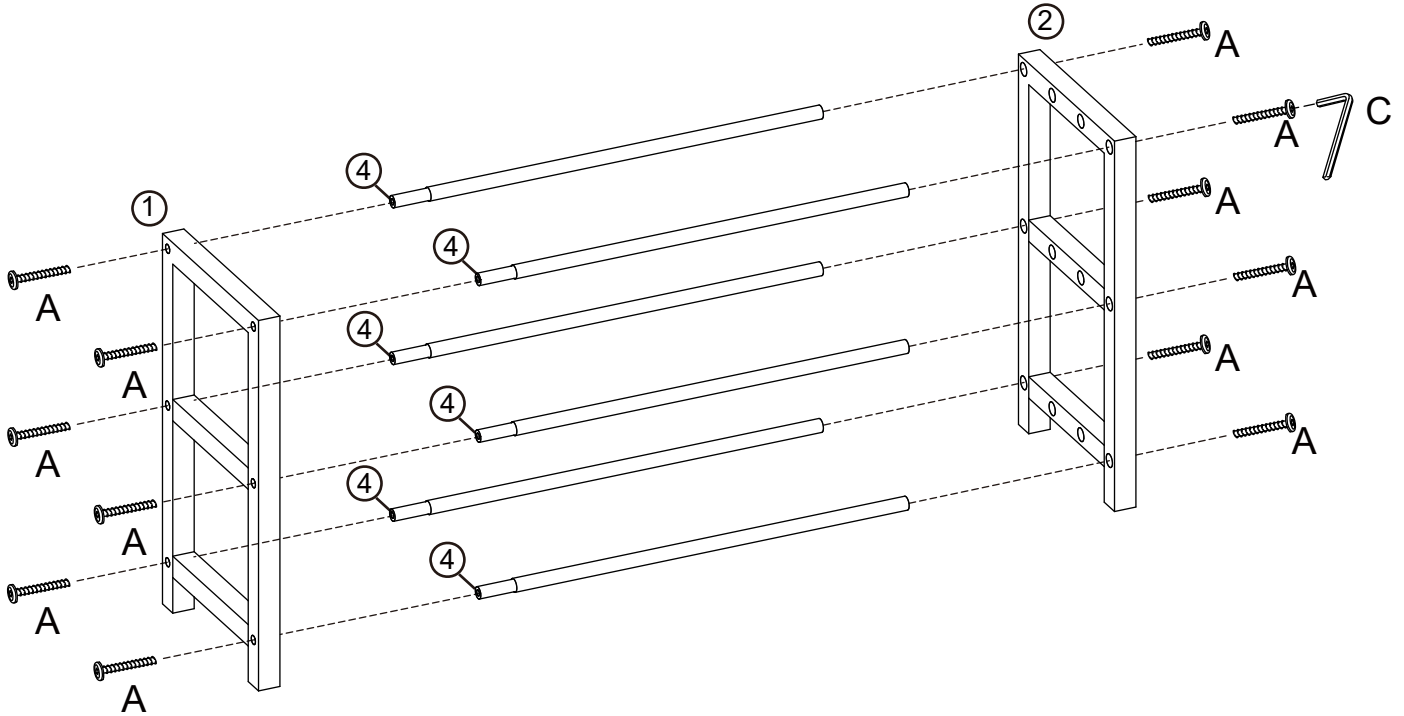
Parts



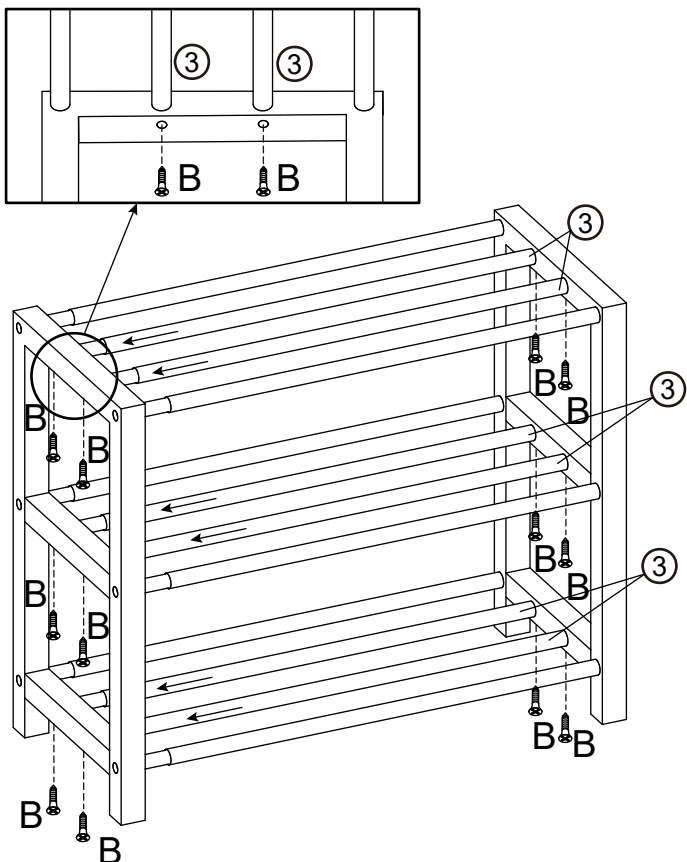
Zarburn Shoe Rack 3 Tier

FREEDOM

Step 1.



Step 2.



Step 3.

