

Arco Dining Round Table Natural

23928008 + 23928022

Thank you for purchasing the **Arco Dining Round Table Natural**. Before you begin to assemble your new piece of furniture, please check to ensure that all hardware and parts have been supplied. This page lists all contents included in the carton(s).

Follow instructions closely as deviation from them may present a possible safety risk and may void your warranty.

It is recommended that assembly is done on a soft surface such as carpet to avoid any damage.

If you experience any problems with your new purchase, please contact Customer Service via the website www.freedom.com.au or www.freedomfurniture.co.nz

Care Information

Glass

The glass used in this product is known as tempered glass. Although it is up to four times tougher than regular glass, it is not unbreakable. Tempered glass should be cared for like normal glass. Clean Glass using a recognized glass cleaning product, avoid any overspray. Careless handling or use sometimes produces damage which may not be visible to the eye. Damaged glass may spontaneously shatter if subjected to thermal or mechanical stress. Avoid dropping objects on the glass. Do not allow hard or pointed objects to come into contact with the glass.

DO

Use tablecloths, table runners and coasters to help protect surfaces from scratching.

Dust once a week using a soft cloth or similar duster.

Only use freedom recommended care products as many supermarket polishes and waxes contain high levels of silicon and petroleum distillate which can damage the surface.

Polish your furniture every 3 to 6 months, making sure the surface is free from dust before you start.

Periodically check and retighten furniture. Always lift your furniture, never drag it









DON'T

Avoid placing hot or wet items directly on the surface as they can leave marks which are difficult to remove.

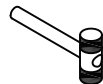
Avoid direct sunlight, as this will cause colour change. If the furniture is in direct sunlight, move items like vases around to avoid spotting.

Avoid applying too much polish as this will build up and need to be removed with a wood - cleaning product.

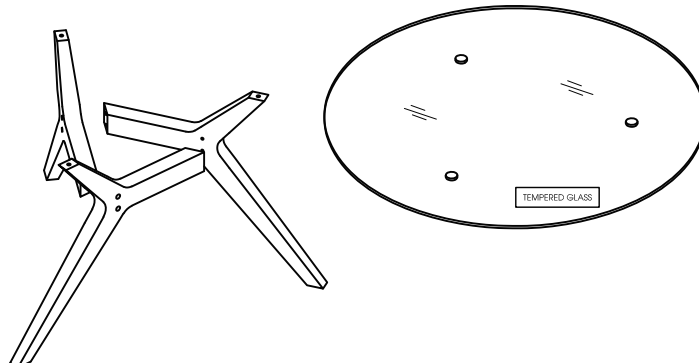
Hardware (Supplied)

M8x15  A = 3 pcs	M8x60  B = 6 pcs	M8x13  C = 3 pcs	Ø18.8xØ15x10  D = 6 pcs	Ø18xØ7x3  E = 3 pcs	 F = 1 pc		
---	---	---	--	--	--	---	---

Tools Required (Not Supplied)



Parts

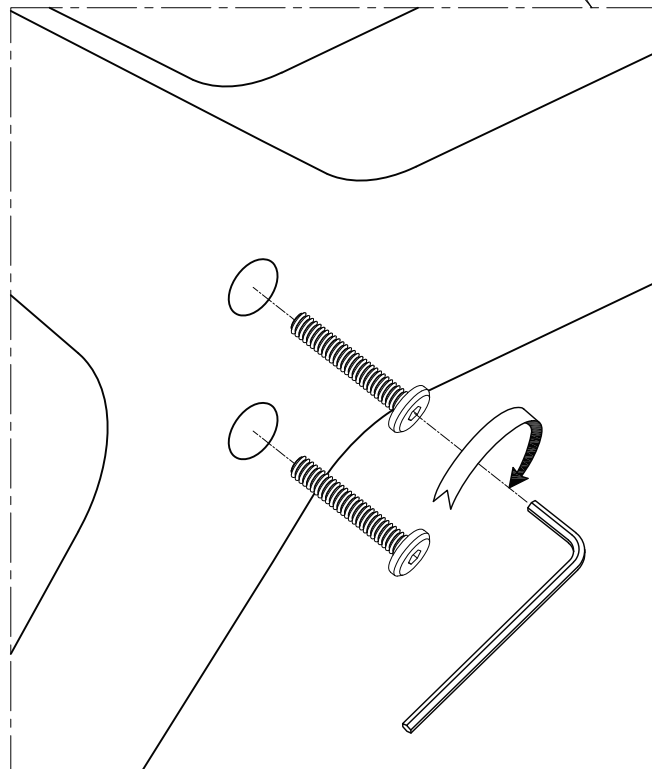
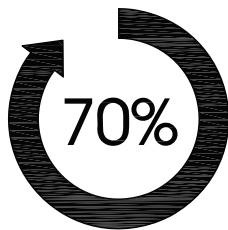
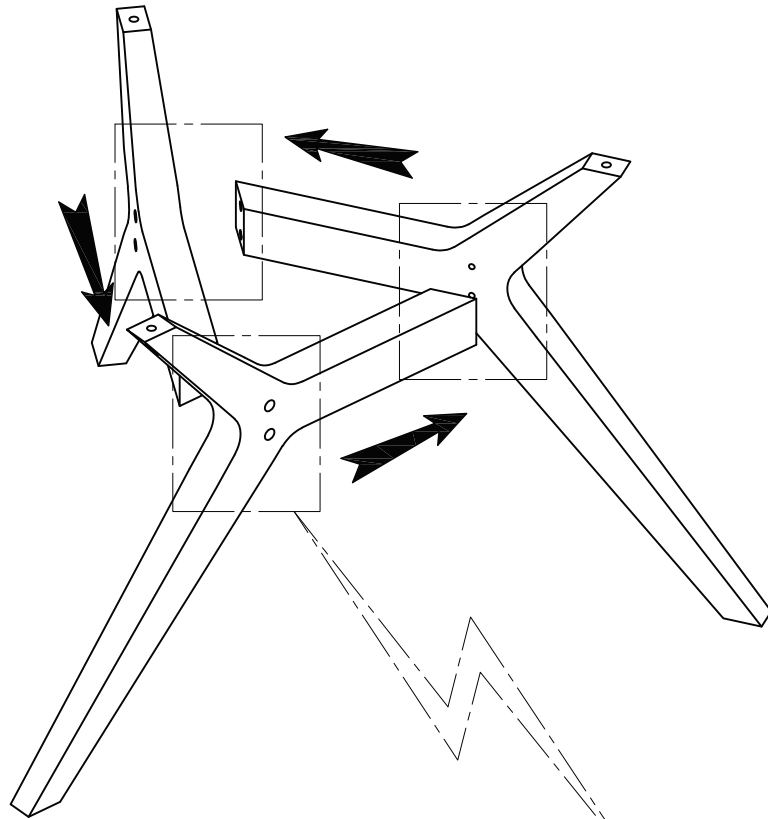


Arco Dining Round Table Natural

23928008 + 23928022

Step : 1

B = 6 pcs



Arco Dining Round Table Natural

23928008 + 23928022

Step : 2

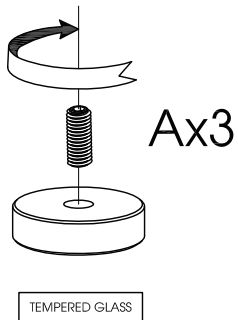
A = 3 pcs



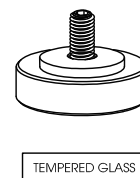
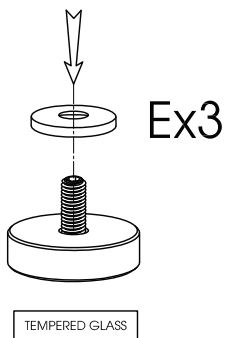
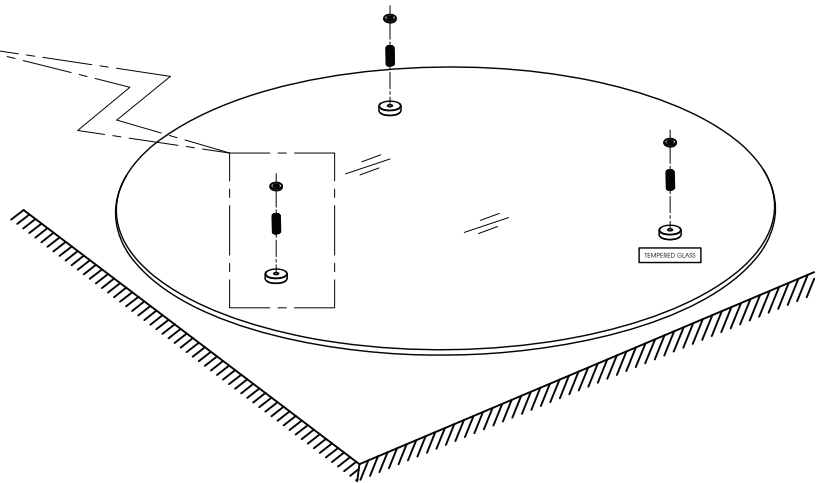
E = 3 pcs



FINGER TIGHTENING



Note! Carefully place the item on a rug or similar to avoid damage.

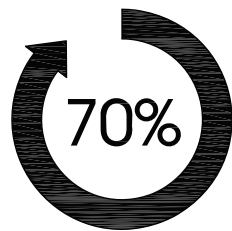
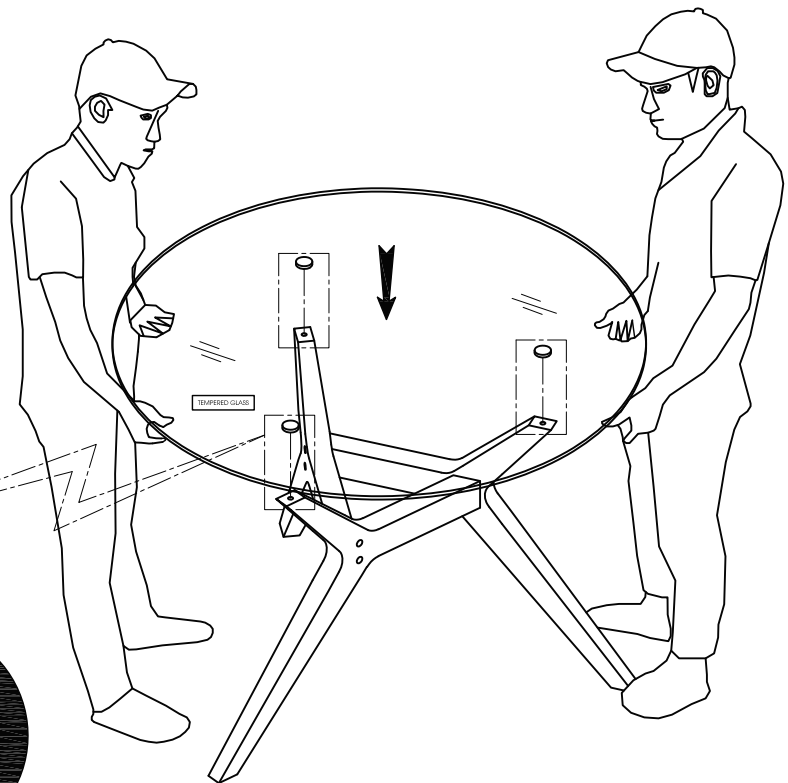
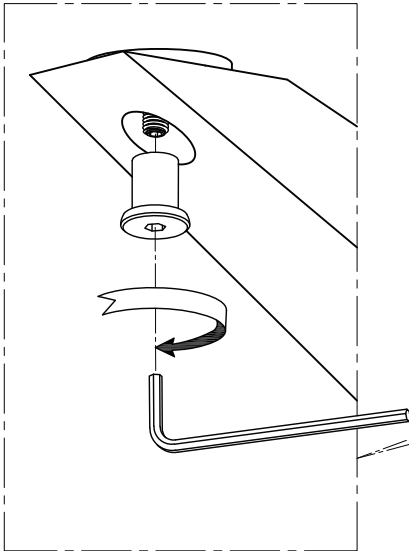


Arco Dining Round Table Natural

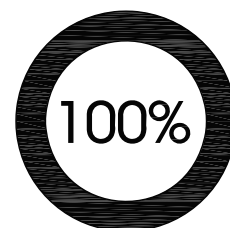
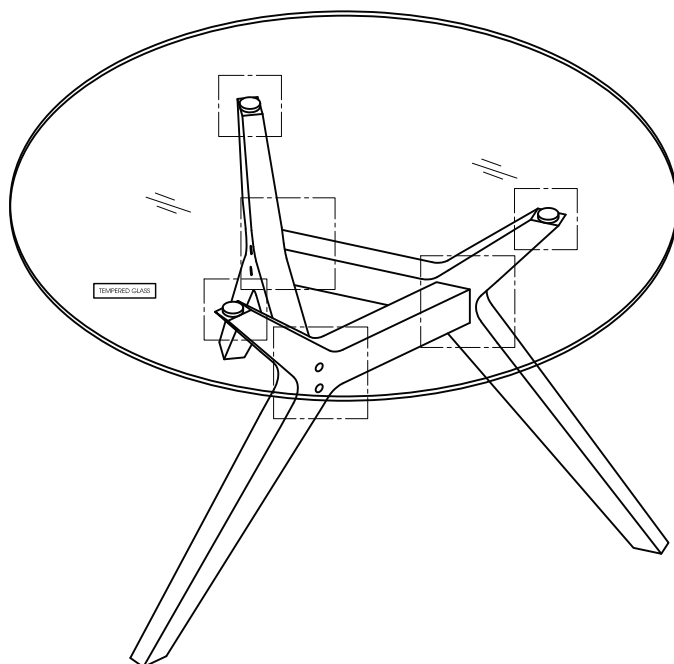
23928008 + 23928022

Step : 3

C = 3 pcs



Step : 4

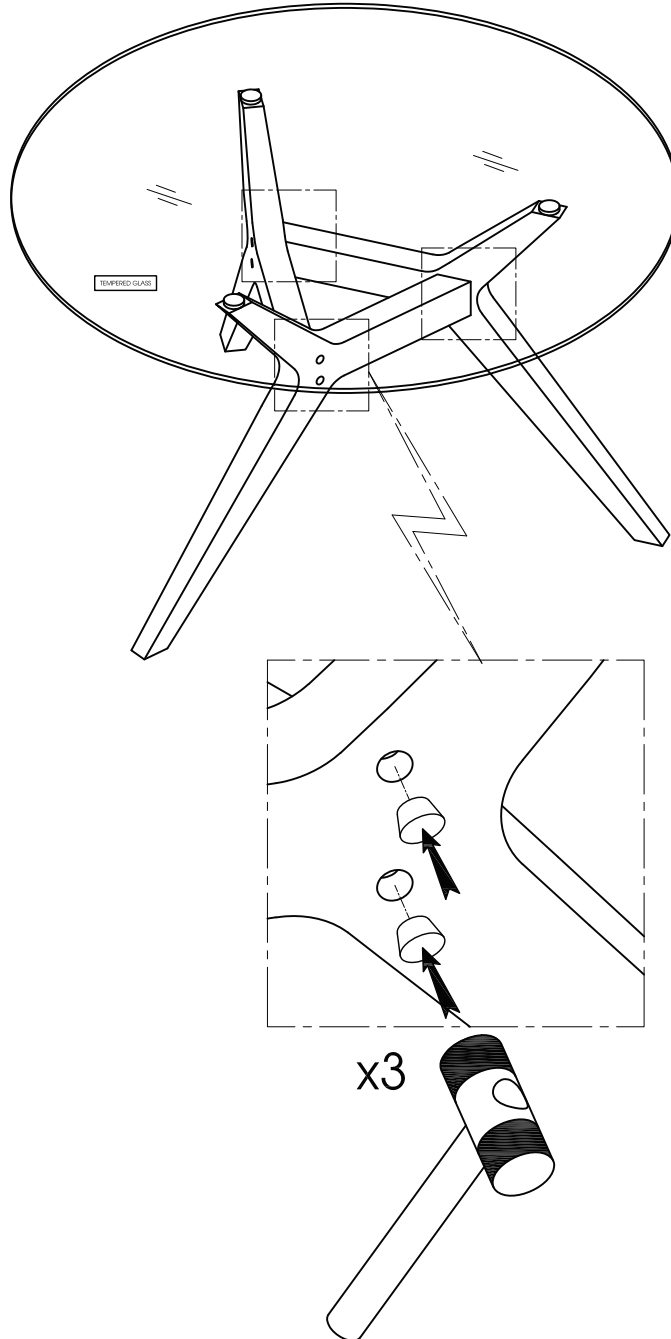


Arco Dining Round Table Natural

23928008 + 23928022

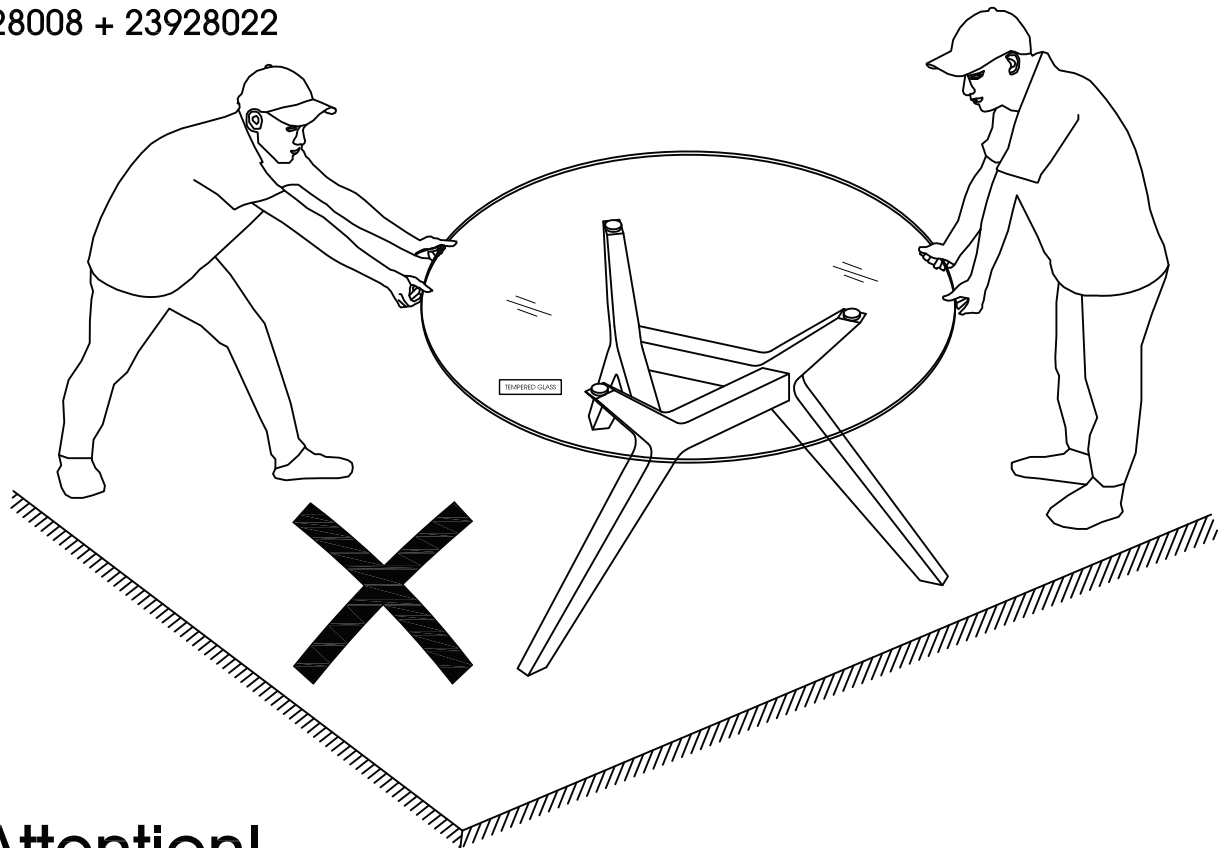
Step : 5

D = 6 pcs



Arco Dining Round Table Natural

23928008 + 23928022



Attention!

Do not drag the item, please lift up when moving it.

