

Wyatt Console 2 Drawer

23928725

Thank you for purchasing Wyatt Console 2 Drawer, before you begin to assemble your new Piece of furniture, please check to ensure that all hardware and parts have been supplied. This page lists all contents included in the carton(s).

follow instruction closely as deviation from them may present a possible safety risk and may void your warranty.

It is recommended that assembly is done on a soft surface such as carpet to avoid any damage.

If you experience any problem with your new purchase, please phone Freedom Customer Service (FCS) on 1300 135 588 (Australia) or 0800469327 (New Zealand)

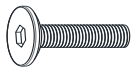
Care Information

Periodically check and re-tighten any fasteners. Dust weekly using a soft clean cloth. Do not use harsh abrasives, chemicals or polishes containing silicone. Avoid direct sunlight as this will cause the timber to change colour. It is important to remove moist substance immediately. Use coasters, placemats and table runners to assist in prolonging the life of your products.

Note: Thank you for Purchasing our Wyatt Console 2 Drawer. Whilst great care is taken during production, this piece may have some subtle splitting, cracking & chipping that give it an vintage look. Such a look is part of charm and appeal of crafted timber product and is not a manufacturing defect.

Hardware (Supplied)

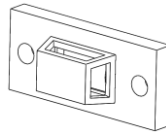
(A) Allen Bolt ,M6X16MM,20x



(B) Allen Key ,1x



(C) PVC Bracket, 2x

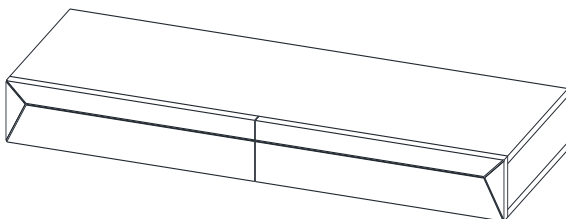


(D) PVC Cable Tie, 2x

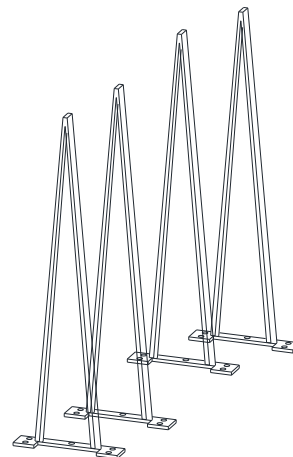


Parts

(X) Drawer Top -1x



(Y) Legs



www.freedom.co.au

www.freedomfurniture.co.nz

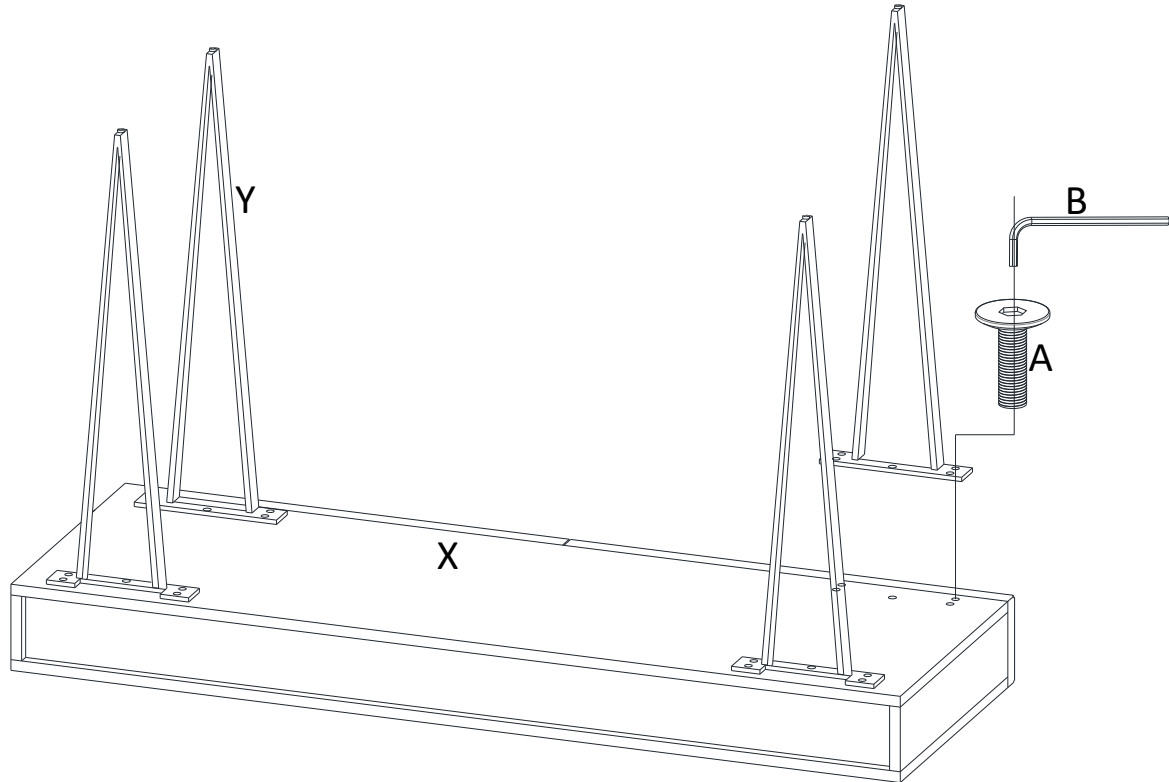
freedom 

Wyatt Console 2 Drawer

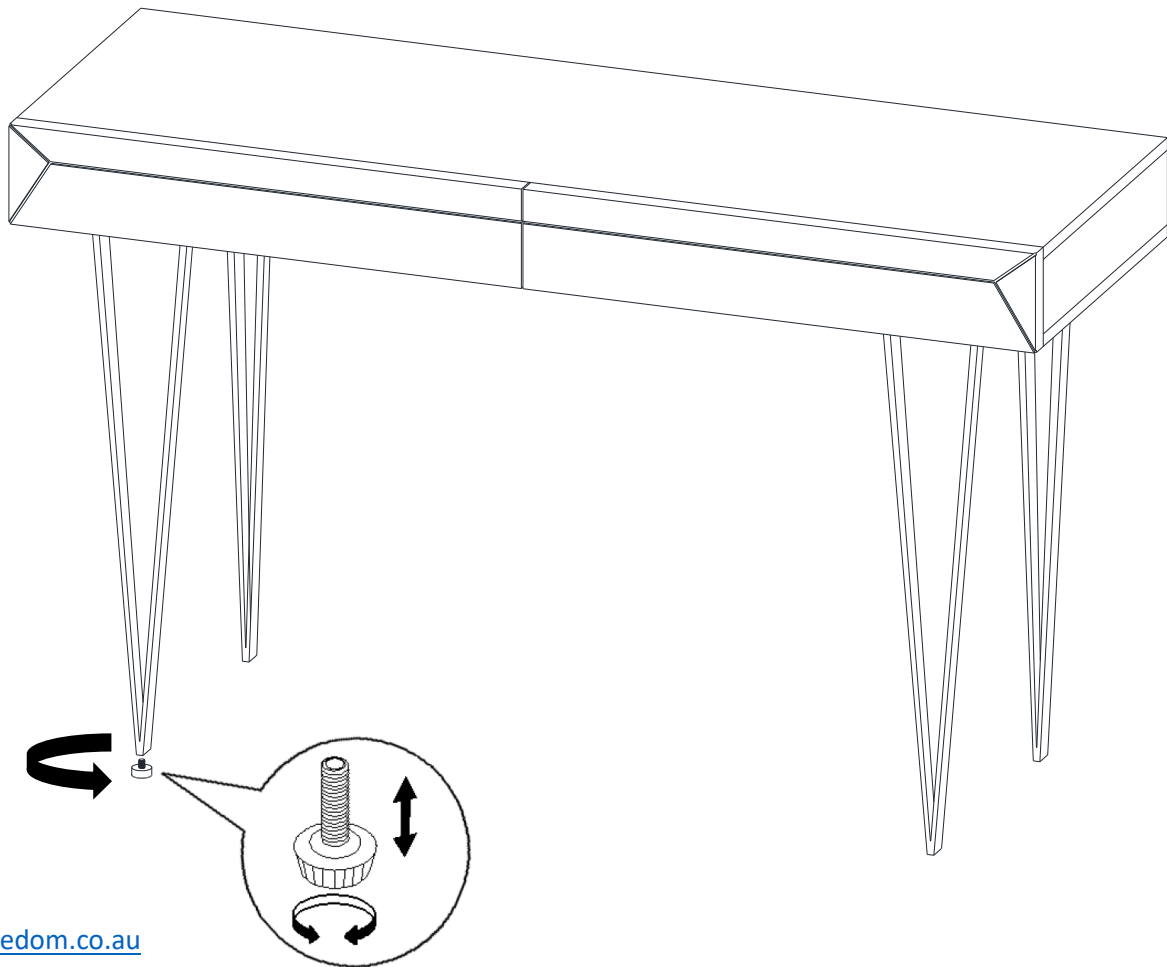
23928725

Step -1

! Take care when orientating the unit, recommended 2 people to complete.



Step -2



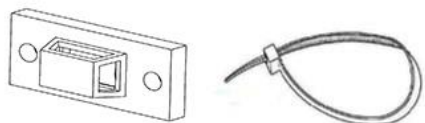
www.freedom.co.au

www.freedomfurniture.co.nz

freedom 

Wyatt Console 2 Drawer

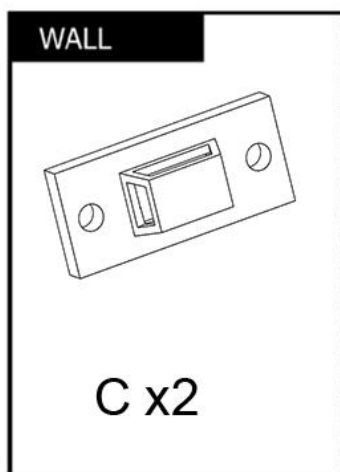
23928725



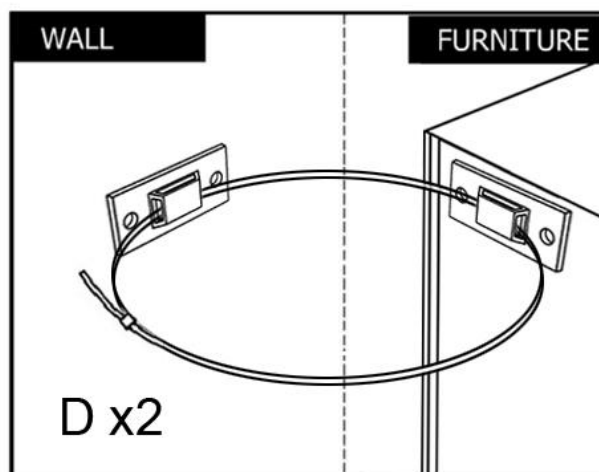
(c) PVC Bracket, 2x

(D) PVC Cable Tie, 2x

2 Clips at the back of the Cabinet will be pre-fixed (as shown in the picture)



Step 3.



Step 4.

WARNING:

To prevent your furniture from tilting forward and possibly causing property damage or personal injury it is recommended that you Securely attach the anti-tilt straps or brackets provided to your wall using appropriate fixings

IMPORTANT:

- DO NOT place toys or other child appealing items on top of this furniture
- AVOID fully opening all drawers at the same time
- DO NOT ALLOW Small children to climb onto Drawers, shelves or to swing from open doors

CAUTION:

For your safety when attaching the anti-tilt fixings;

- Check for any electrical wires or plumbing inside the wall before drilling any holes (if you are unsure please seek professional advice from a qualified tradesman)
- Walls are constructed from different materials eg; Masonry (solid brick) or plaster board lined cavity walls (hollow).

It is important that you use the appropriate wall fixings for your wall type.

(Your local hardware store will have the necessary drills and fixings and can offer advice if needed).