

Flex Shelf System



This assembly requires two persons.

Thank you for purchasing Flex shelf system. Before you begin to assemble your new piece of furniture, please check to ensure that all hardware and parts have been supplied. This page lists all contents included in the carton(s).

Follow instructions closely as deviation from them may present a possible safety risk and may void your warranty.

It is recommended that assembly is done on a soft surface such as carpet to avoid any damage.

If you experience any problems with your new purchase, please phone Freedom Customer Service (FCS) on 1300 135 588 (Australia) or 0800 469 327 (New Zealand).

Care Information

Avoid direct sunlight as it may cause the product to change colour. Dust the surfaces by using soft and clean cloth. Avoid using harsh abrasives, chemicals or polishes. It is important to remove moist substances immediately.

Periodically check and re-tighten all fasteners. Always lift furniture, never drag it.

Hardware (Supplied)

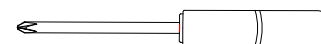


m6*25mm
Part A x 34

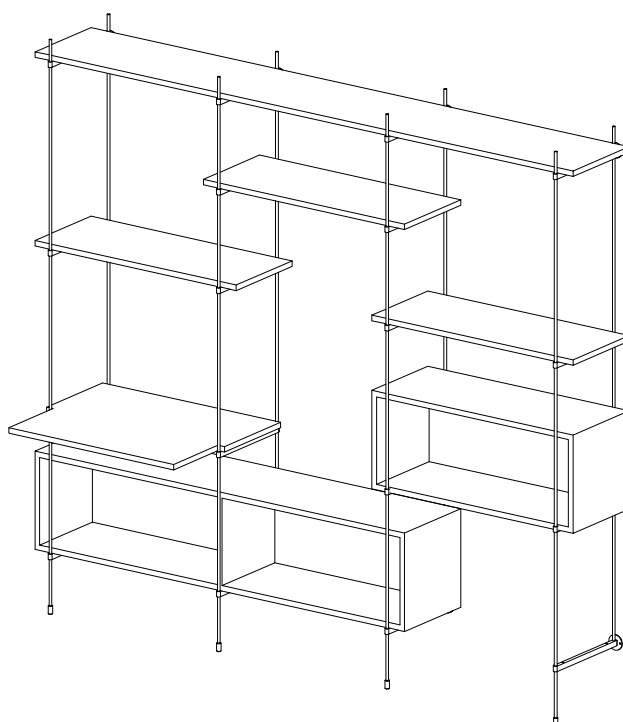


5mm
Part B x 1

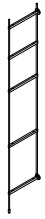
Hardware (Not Supplied)



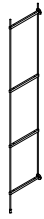
Flex Shelf Assembly Style 1



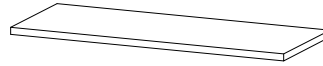
Parts



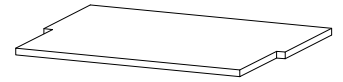
Flex Frame 5 Tier 210cm
SKU : (23935495) x 2



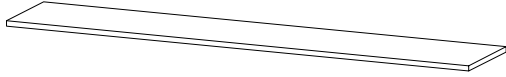
Flex Frame 4 Tier 210cm
SKU : (23935488) x 2



Flex Shelf 86cm
SKU : (23935044) x 3



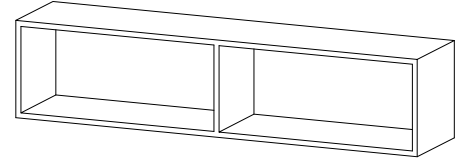
Flex Shelf Laptop Shelf
SKU : (23935266) x 1



Flex Shelf 230cm
SKU : (23935129) x 1



Flex Box 86cm
SKU : (23935501) x1



Flex Box 158cm
SKU : (23948655) x 1

CAUTION:

For your safety when attaching the frames to the wall:

- Check for any electrical wires or plumbing inside the wall before drilling any holes (if you are unsure please seek professional advice from a qualified tradesman)
- Walls are constructed from different materials eg; Masonry (solid brick) or plaster board lined cavity walls (hollow).

It is important that you use the appropriate wall fixings for your wall type.

(Your local hardware store will have the necessary drills and fixings and can offer advice if needed.)

Step 1.

Flex Frame 4 Tier 210cm

Flex Frame 5 Tier 210cm

Flex Frame 5 Tier 210cm

Flex Frame 4 Tier 210cm

690mm

600mm

510mm

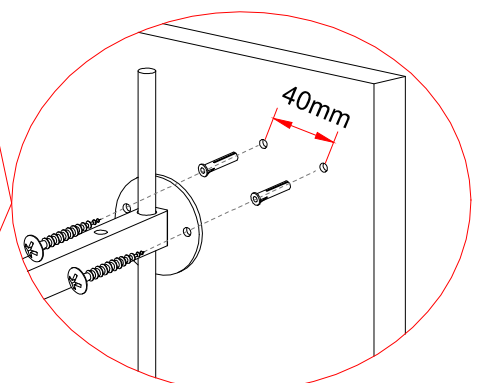
200mm

360mm

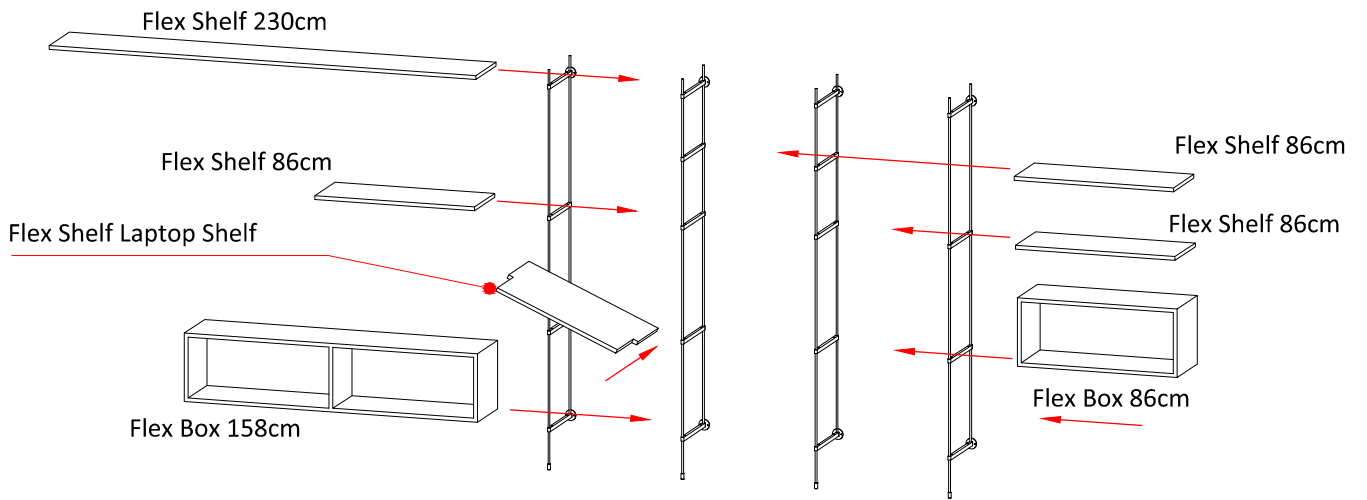
720mm

720mm

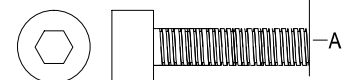
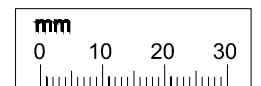
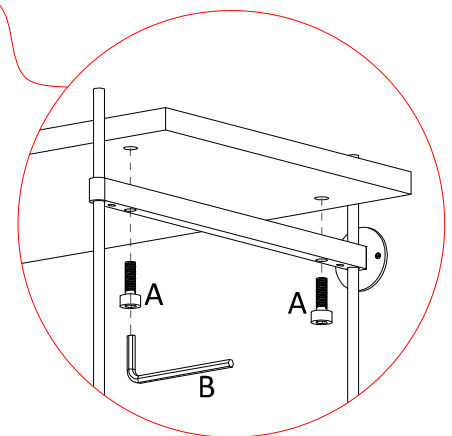
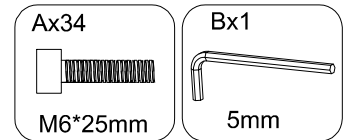
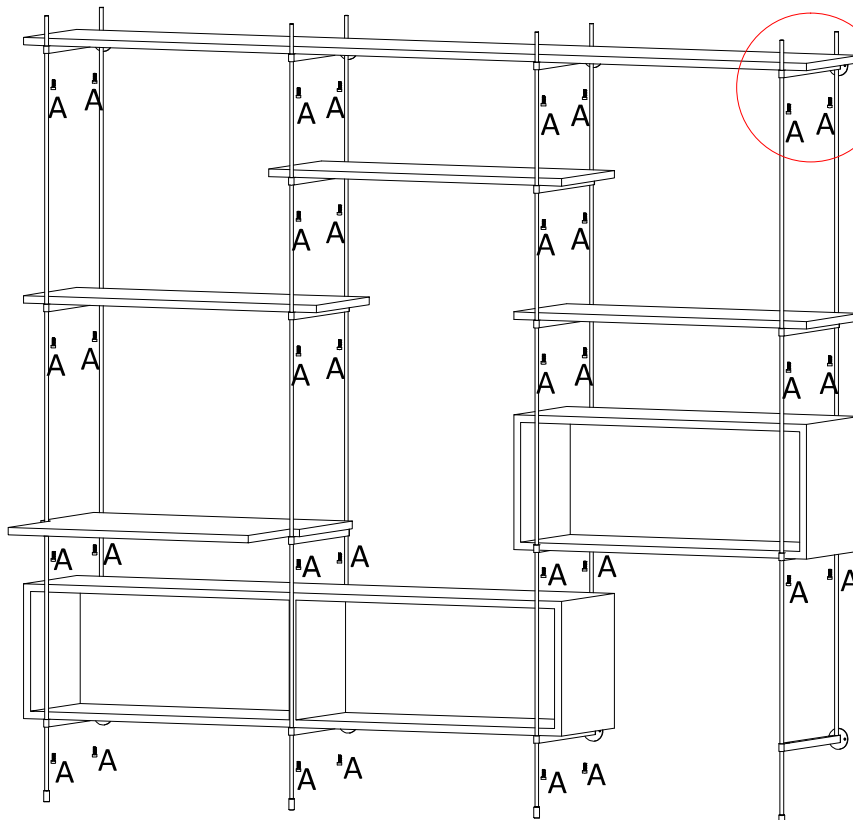
720mm



Step 2.



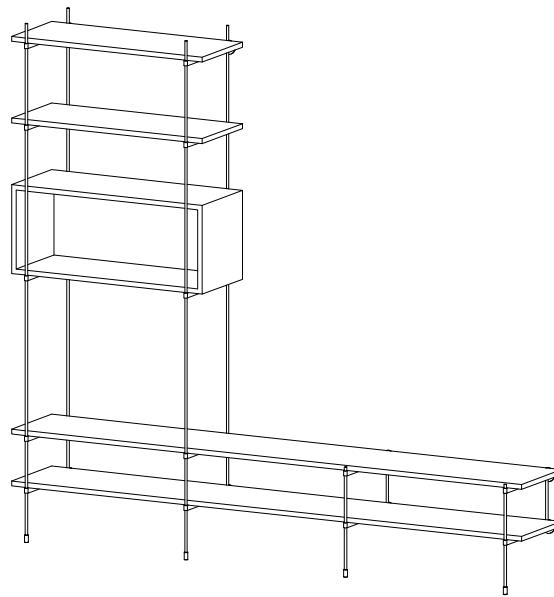
Step 3.



Flex Shelf Assembly Style 2



This assembly requires two persons.



Hardware (Supplied)



m6*25mm
Part A x 28

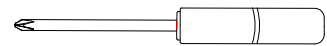


5mm
Part B x 1

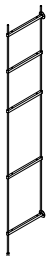


3mm
Part C x 1

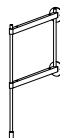
Hardware (Not Supplied)



Parts



Flex Frame 5 Tier 210cm
SKU : (23935495) x 2



Flex Frame 2 Tier 44.5cm
SKU : (23935464) x 2



Flex Shelf 86cm
SKU : (23935044) x 2



Flex Box 86cm
SKU : (23935501) x1



Flex Shelf 230cm
SKU : (23935129) x 1

CAUTION:

For your safety when attaching the frames to the wall:

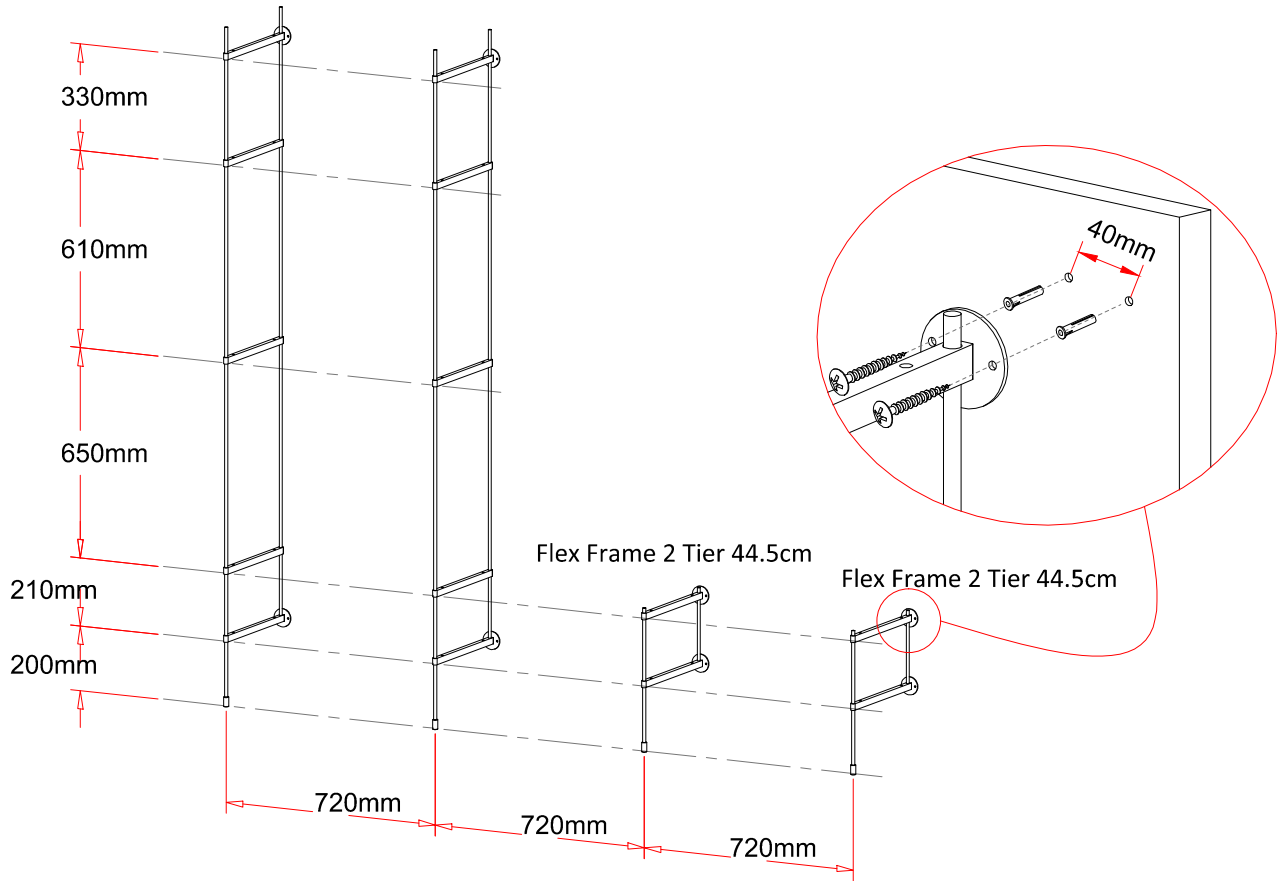
- Check for any electrical wires or plumbing inside the wall before drilling any holes (if you are unsure please seek professional advice from a qualified tradesman)
- Walls are constructed from different materials eg; Masonry (solid brick) or plaster board lined cavity walls (hollow).

It is important that you use the appropriate wall fixings for your wall type.

(Your local hardware store will have the necessary drills and fixings and can offer advice if needed.)

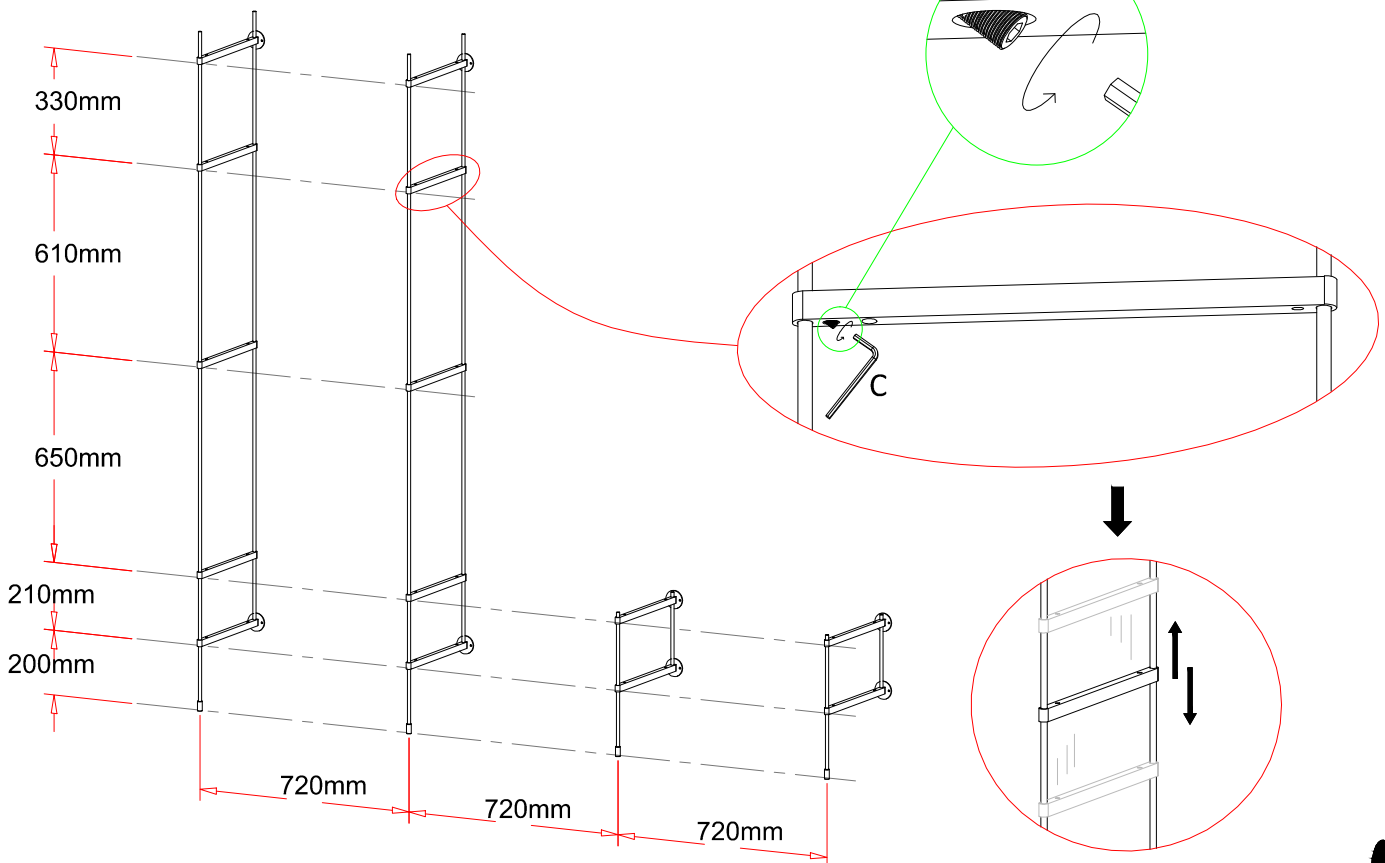
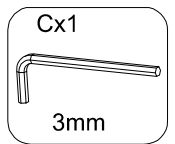
Step 1.

Flex Frame 5 Tier 210cm Flex Frame 5 Tier 210cm

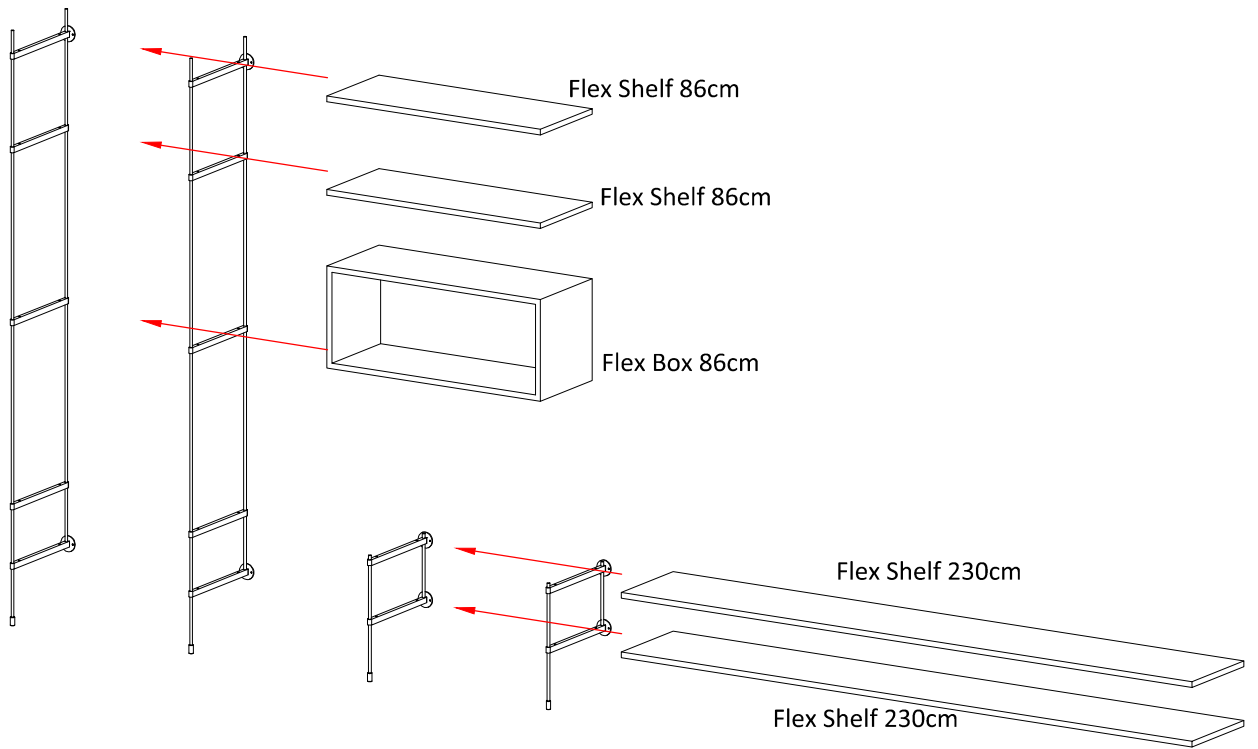


Step 2.

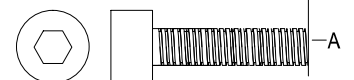
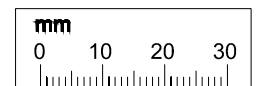
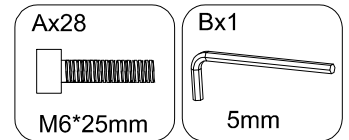
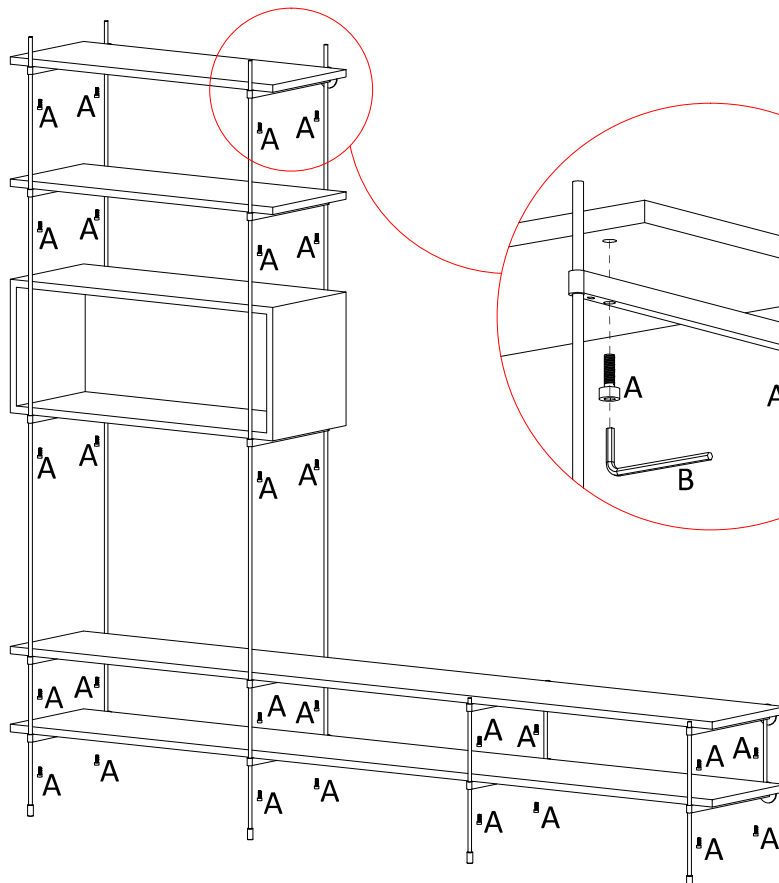
Note : please adjust Flex Frame 5 support bars distance according to below drawing.



Step 3.



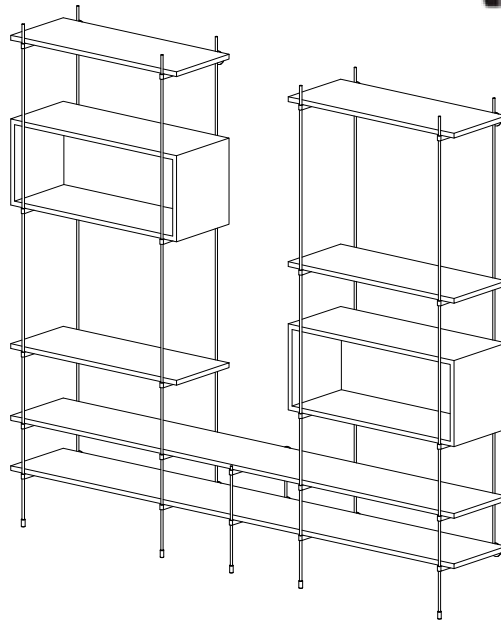
Step 4.



Flex Shelf Assembly Style 3



This assembly requires two persons.



Hardware (Supplied)



m6*25mm
Part A x 44

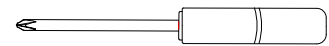


5mm
Part B x 1



3mm
Part C x 1

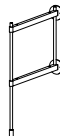
Hardware (Not Supplied)



Parts



Flex Frame 5 Tier 210cm
SKU : (23935495) x 4



Flex Frame 2 Tier 44.5cm
SKU : (23935464) x 1



Flex Shelf 86cm
SKU : (23935044) x 4



Flex Box 86cm
SKU : (23935501) x 2



Flex Shelf 230cm
SKU : (23935129) x 2

CAUTION:

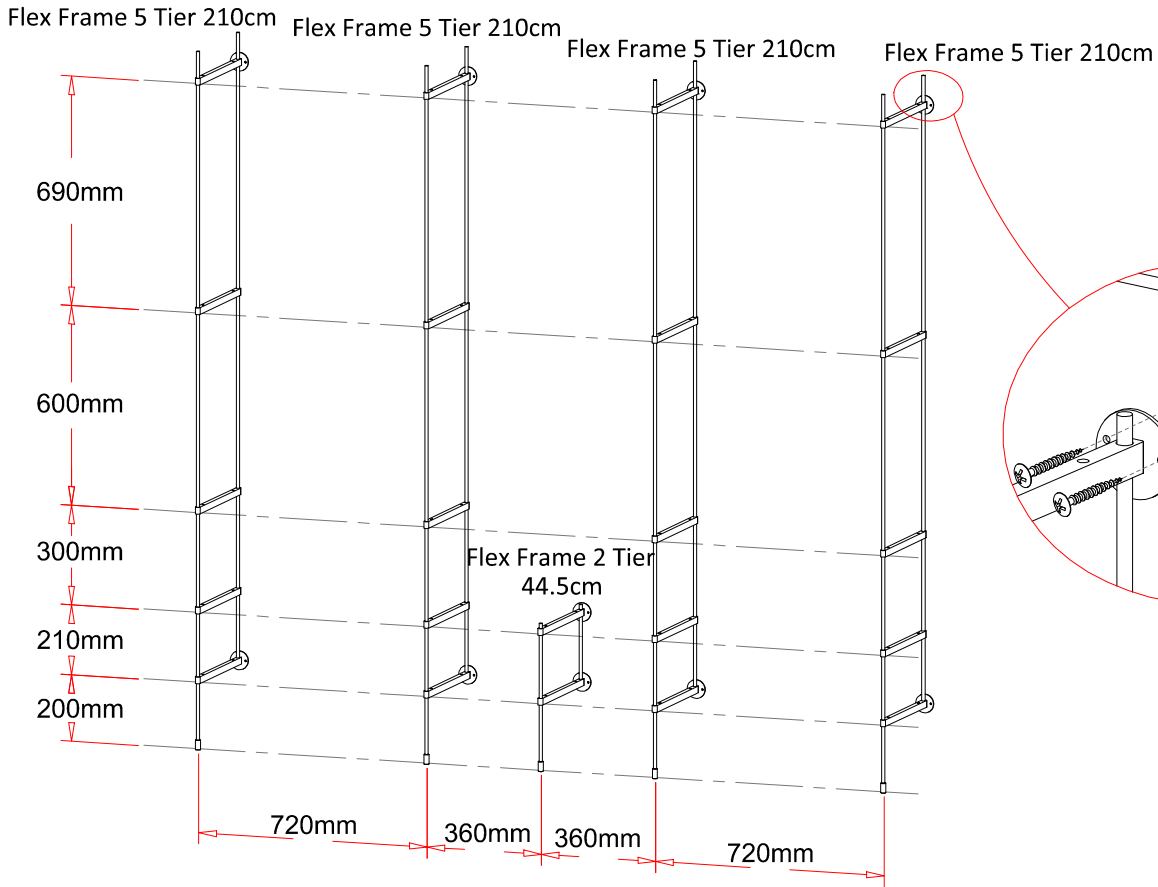
For your safety when attaching the frames to the wall:

- Check for any electrical wires or plumbing inside the wall before drilling any holes (if you are unsure please seek professional advice from a qualified tradesman)
- Walls are constructed from different materials eg; Masonry (solid brick) or plaster board lined cavity walls (hollow).

It is important that you use the appropriate wall fixings for your wall type.

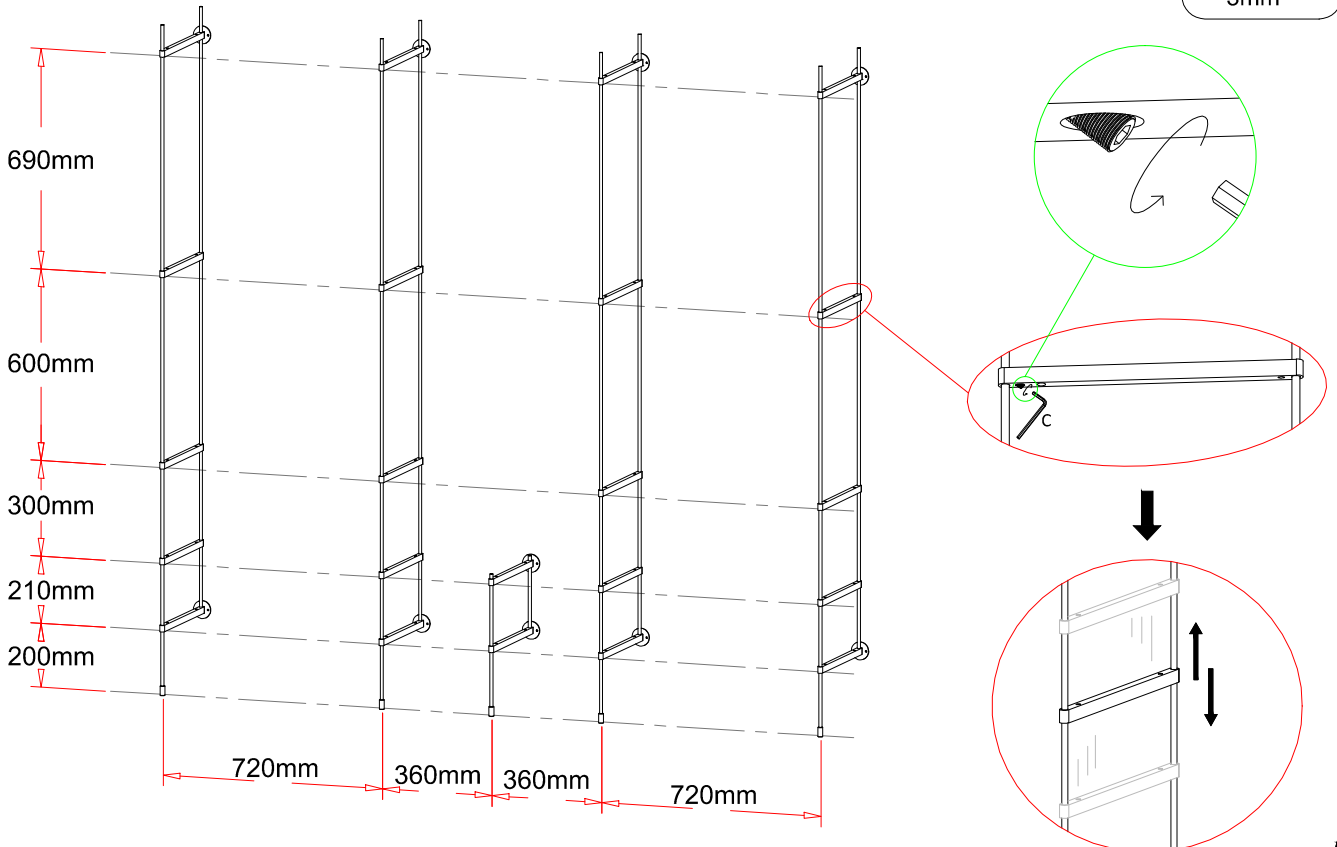
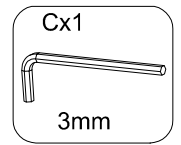
(Your local hardware store will have the necessary drills and fixings and can offer advice if needed.)

Step 1.



Step 2.

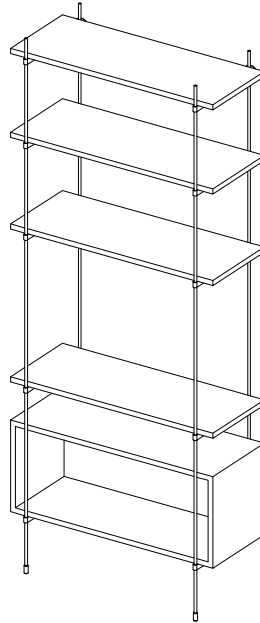
Note : please adjust Flex Frame 5 support bars distance according to below drawing.



Flex Shelf Assembly Style 4



This assembly requires two persons.



Hardware (Supplied)



m6*25mm
Part A x 20

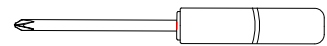


5mm
Part B x 1



3mm
Part C x 1

Hardware (Not Supplied)



Parts



Flex Frame 5 Tier 210cm
SKU : (23935495) x 2



Flex Shelf 86cm
SKU : (23935044) x 4



Flex Box 86cm
SKU : (23935501) x1

CAUTION:

For your safety when attaching the frames to the wall:

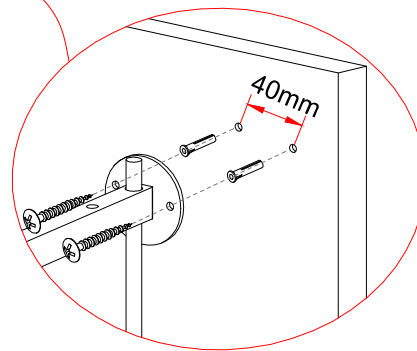
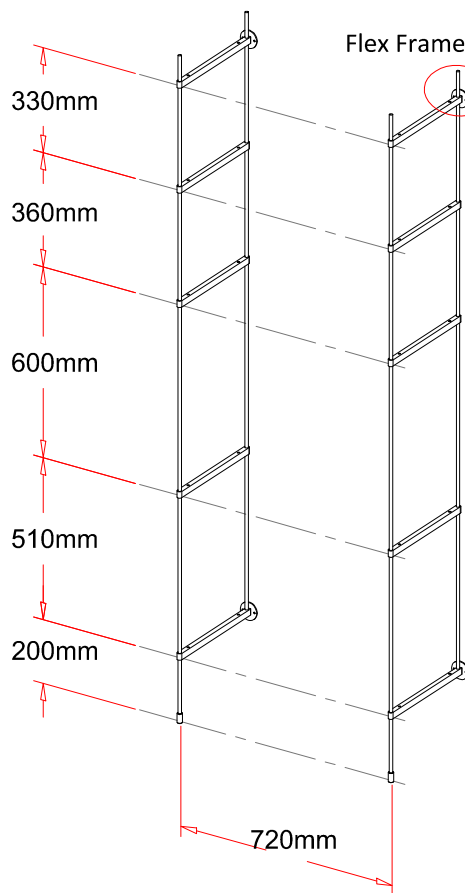
- Check for any electrical wires or plumbing inside the wall before drilling any holes (if you are unsure please seek professional advice from a qualified tradesman)
- Walls are constructed from different materials eg; Masonry (solid brick) or plaster board lined cavity walls (hollow).

It is important that you use the appropriate wall fixings for your wall type.

(Your local hardware store will have the necessary drills and fixings and can offer advice if needed.)

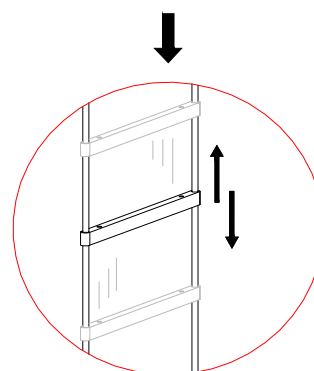
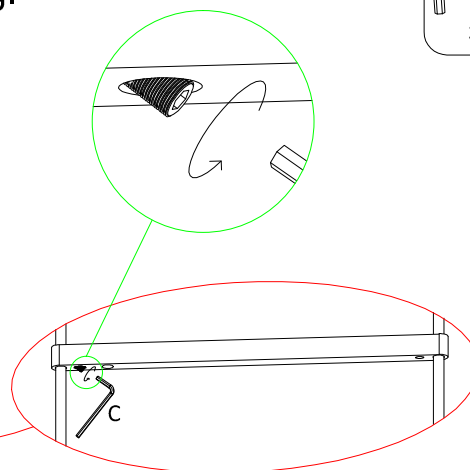
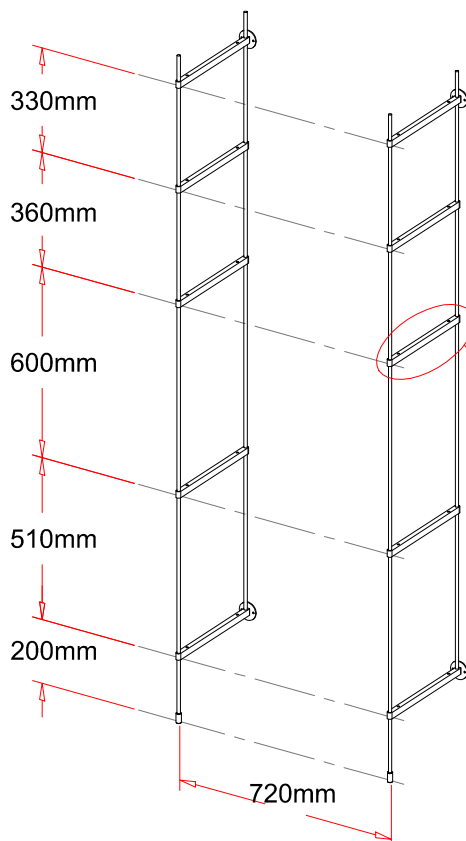
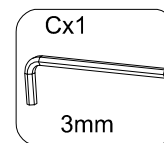
Step 1.

Flex Frame 5 Tier 210cm

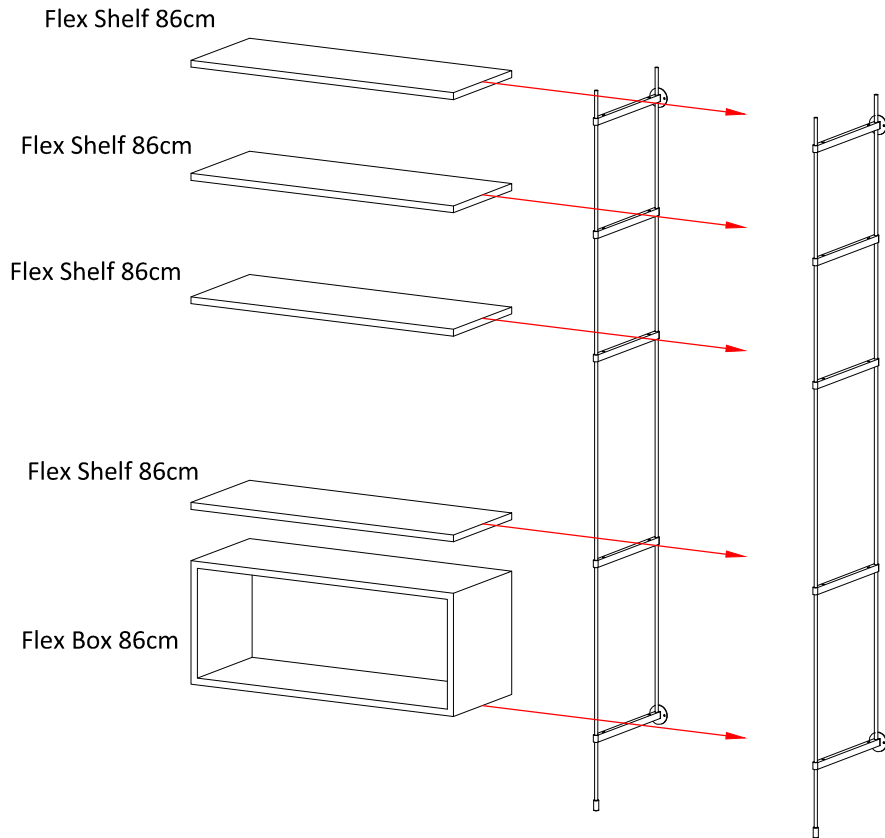


Step 2.

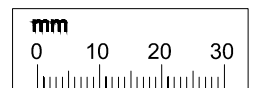
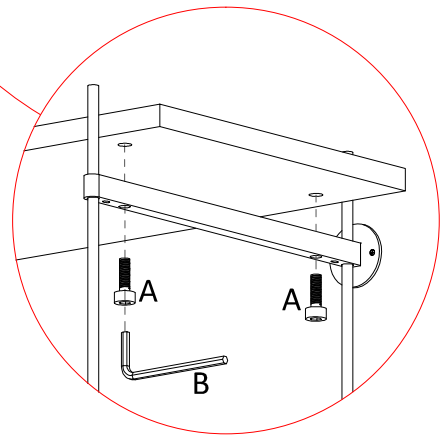
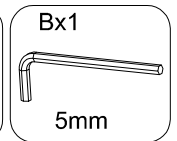
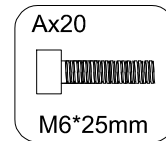
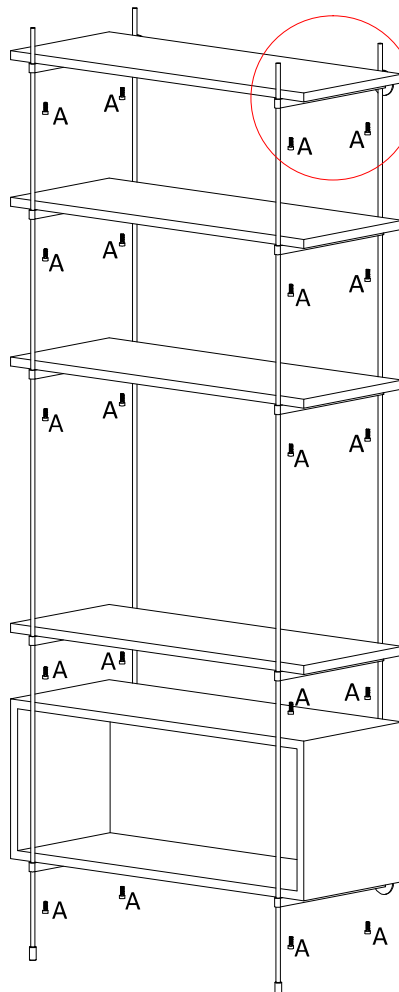
Note : please adjust Flex Frame 5 support bars distance according to below drawing.



Step 3.



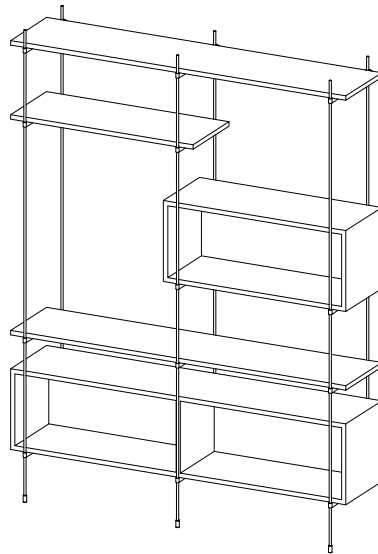
Step 4.



Flex Shelf Assembly Style 5



This assembly requires two persons.



Hardware (Supplied)



m6*25mm
Part A x 26

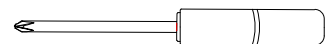


5mm
Part B x 1



3mm
Part C x 1

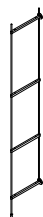
Hardware (Not Supplied)



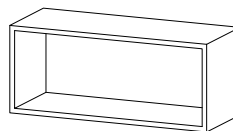
Parts



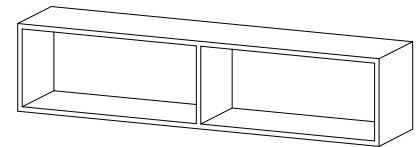
Flex Frame 5 Tier 210cm
SKU : (23935495) x 1



Flex Frame 4 Tier 210cm
SKU : (23935488) x 2



Flex Box 86cm
SKU : (23935501) x1



Flex Box 158cm
SKU : (23948655) x 1



Flex Shelf 86cm
SKU : (23935044) x 1



Flex Shelf 158cm
SKU : (23948655) x 2

CAUTION:

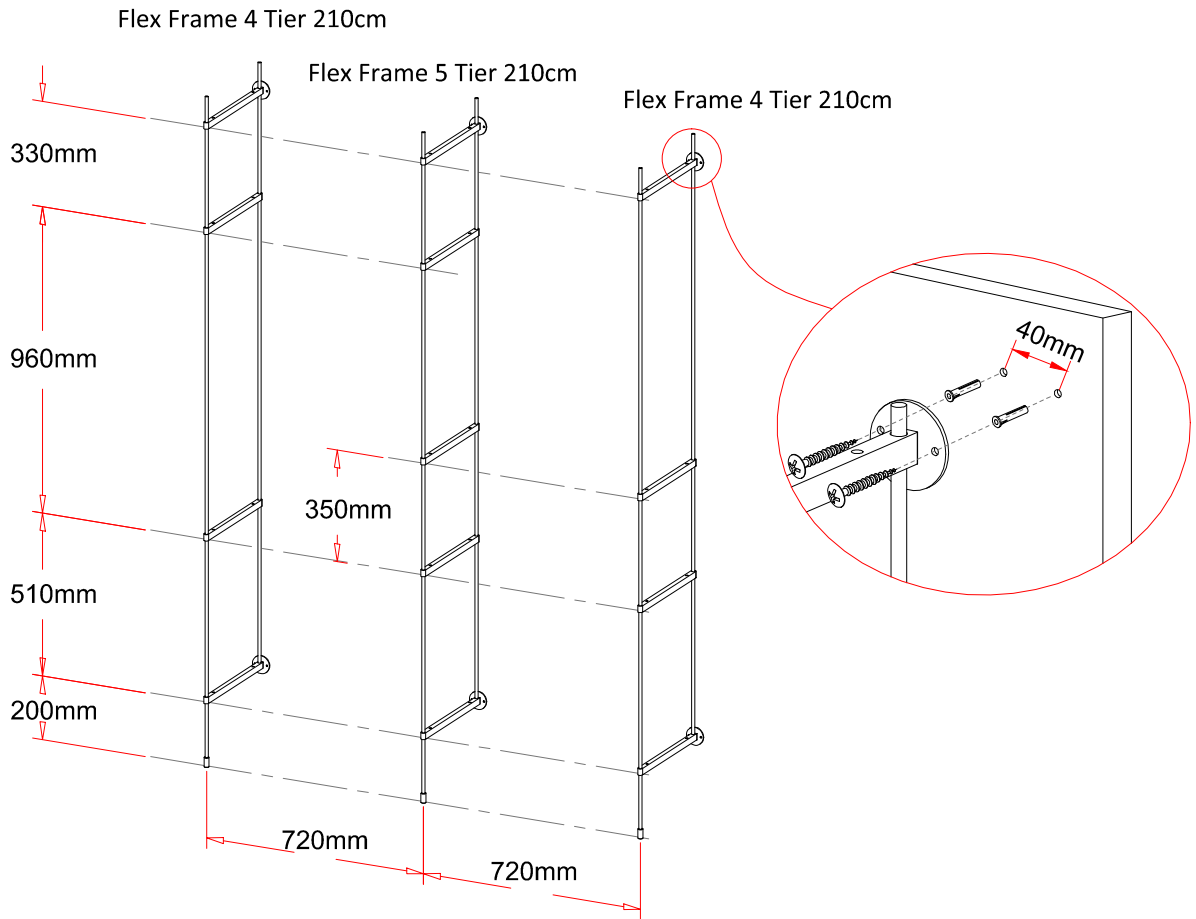
For your safety when attaching the frames to the wall:

- Check for any electrical wires or plumbing inside the wall before drilling any holes (if you are unsure please seek professional advice from a qualified tradesman)
- Walls are constructed from different materials eg; Masonry (solid brick) or plaster board lined cavity walls (hollow).

It is important that you use the appropriate wall fixings for your wall type.

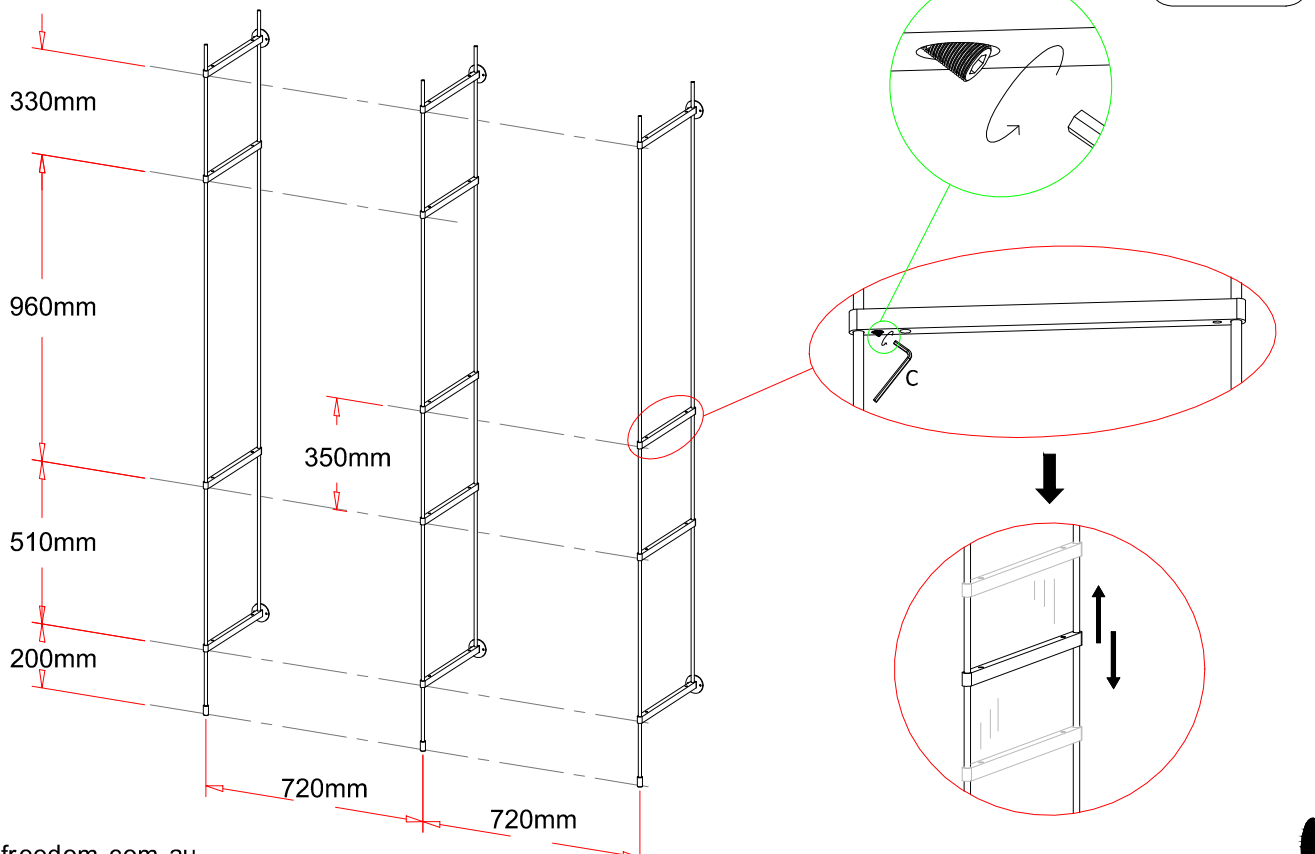
(Your local hardware store will have the necessary drills and fixings and can offer advice if needed.)

Step 1.

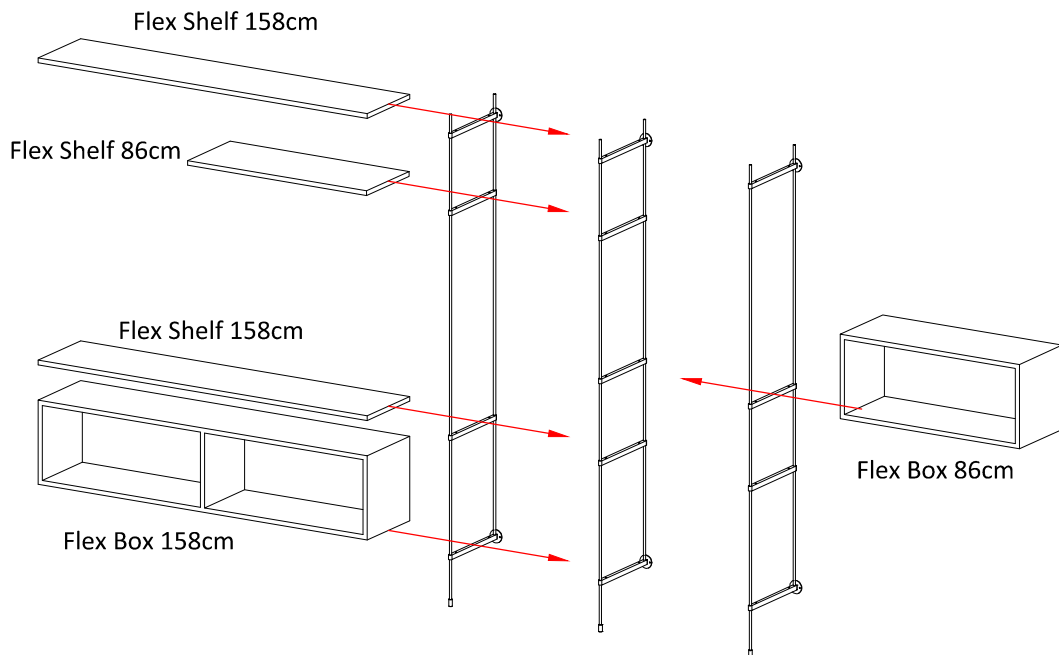


Step 2.

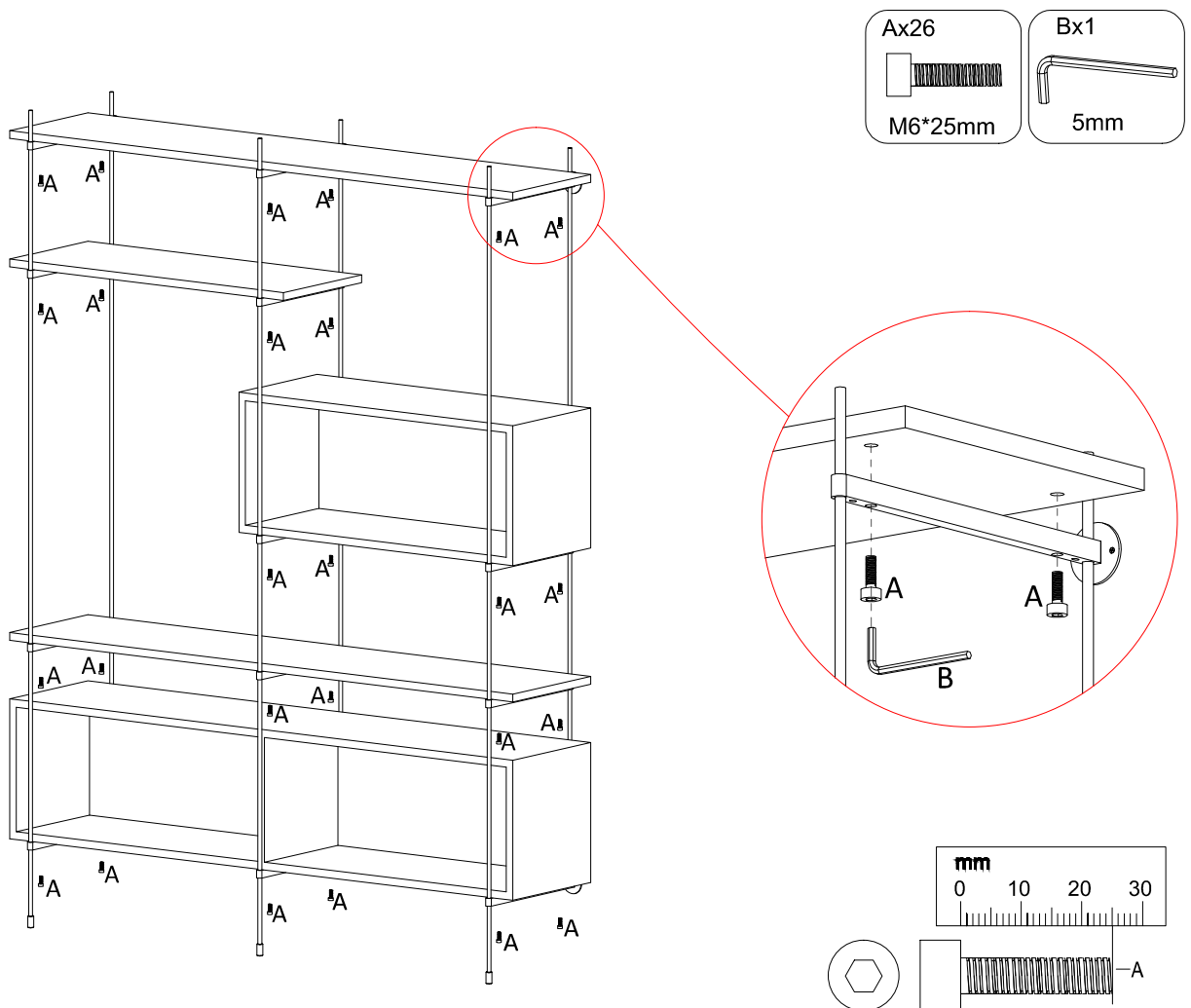
Note : please adjust Flex Frame 4 / and frame 5 support bars distance according to below drawing.



Step 3.



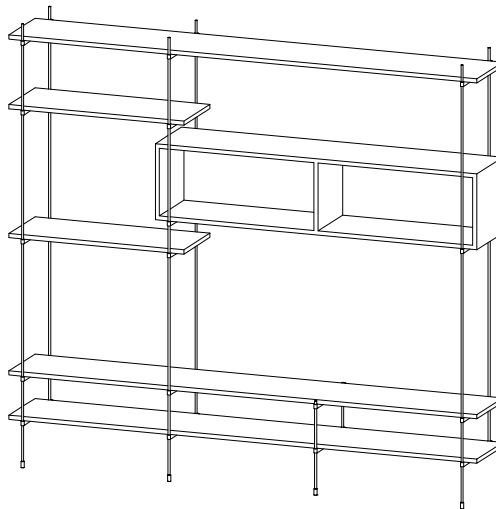
Step 4.



Flex Shelf Assembly Style 6



This assembly requires two persons.



Hardware (Supplied)



m6*25mm
Part A x 34

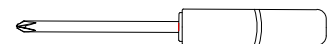


5mm
Part B x 1

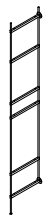


3mm
Part C x 1

Hardware (Not Supplied)



Parts



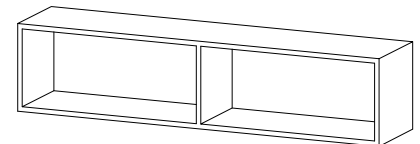
Flex Frame 6 Tier 210cm
SKU : (24104838) x 1



Flex Frame 5 Tier 210cm
SKU : (23935495) x 1



Flex Frame 4 Tier 210cm
SKU : (23935488) x 1



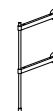
Flex Box 158cm
SKU : (23948655) x 1



Flex Shelf 86cm
SKU : (23935044) x 2



Flex Shelf 230cm
SKU : (23935129) x 3



Flex Frame 2 Tier 44.5cm
SKU : (23935464) x 1

CAUTION:

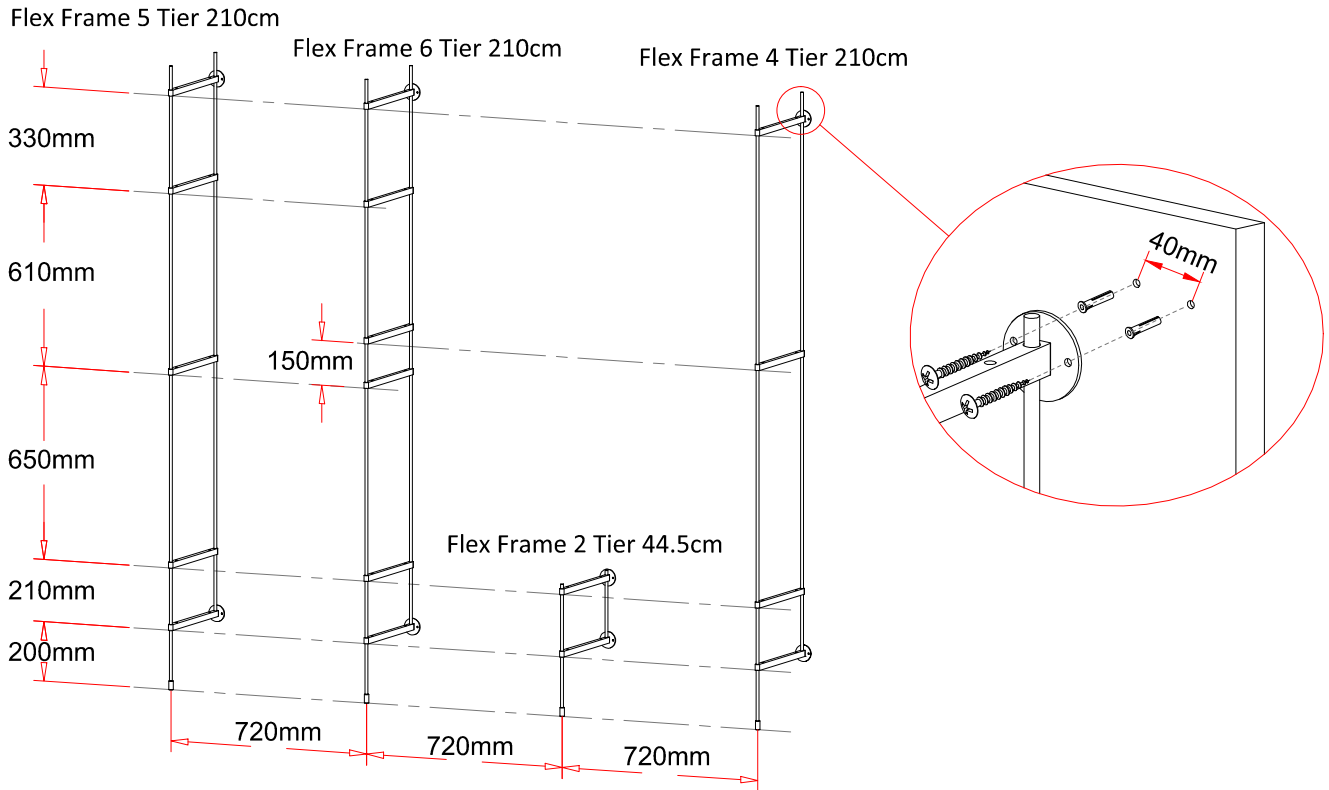
For your safety when attaching the frames to the wall:

- Check for any electrical wires or plumbing inside the wall before drilling any holes (if you are unsure please seek professional advice from a qualified tradesman)
- Walls are constructed from different materials eg; Masonry (solid brick) or plaster board lined cavity walls (hollow).

It is important that you use the appropriate wall fixings for your wall type.

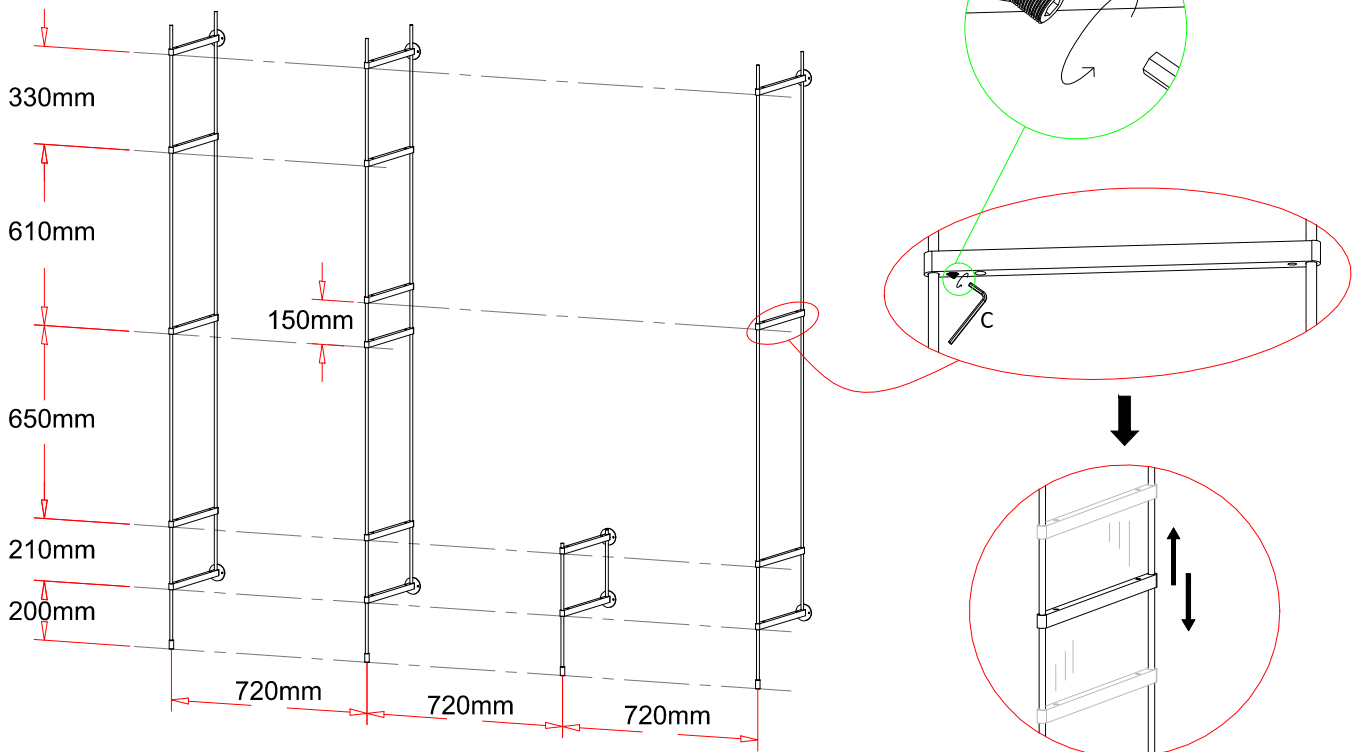
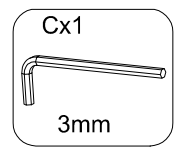
(Your local hardware store will have the necessary drills and fixings and can offer advice if needed.)

Step 1.



Step 2.

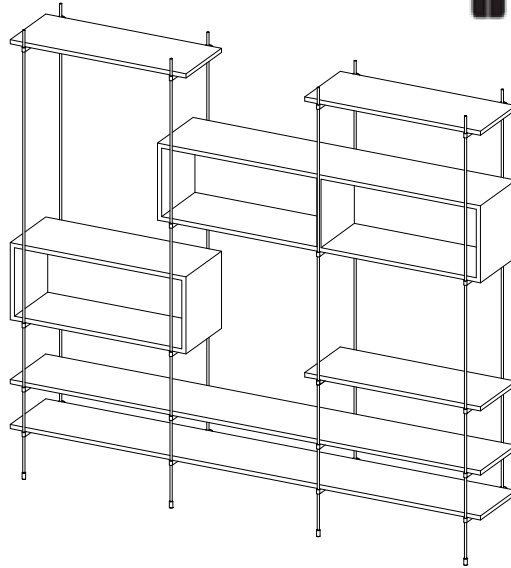
Note : please adjust Flex Frame 4 / and frame 5 support bars distance according to below drawing.



Flex Shelf Assembly Style 7



This assembly requires two persons.



Hardware (Supplied)



m6*25mm
Part A x 38

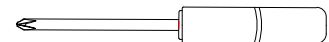


5mm
Part B x 1



3mm
Part C x 1

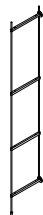
Hardware (Not Supplied)



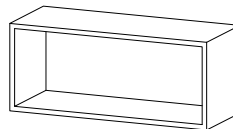
Parts



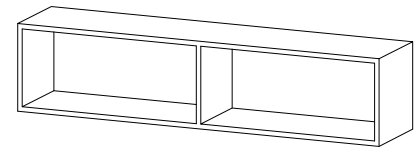
Flex Frame 5 Tier 210cm
SKU : (23935495) x 3



Flex Frame 4 Tier 210cm
SKU : (23935488) x 1



Flex Box 86cm
SKU : (23935501) x1



Flex Box 158cm
SKU : (23948655) x 1



Flex Shelf 86cm
SKU : (23935044) x 3



Flex Shelf 230cm
SKU : (23935129) x 2

CAUTION:

For your safety when attaching the frames to the wall:

- Check for any electrical wires or plumbing inside the wall before drilling any holes (if you are unsure please seek professional advice from a qualified tradesman)
- Walls are constructed from different materials eg; Masonry (solid brick) or plaster board lined cavity walls (hollow).

It is important that you use the appropriate wall fixings for your wall type.

(Your local hardware store will have the necessary drills and fixings and can offer advice if needed.)

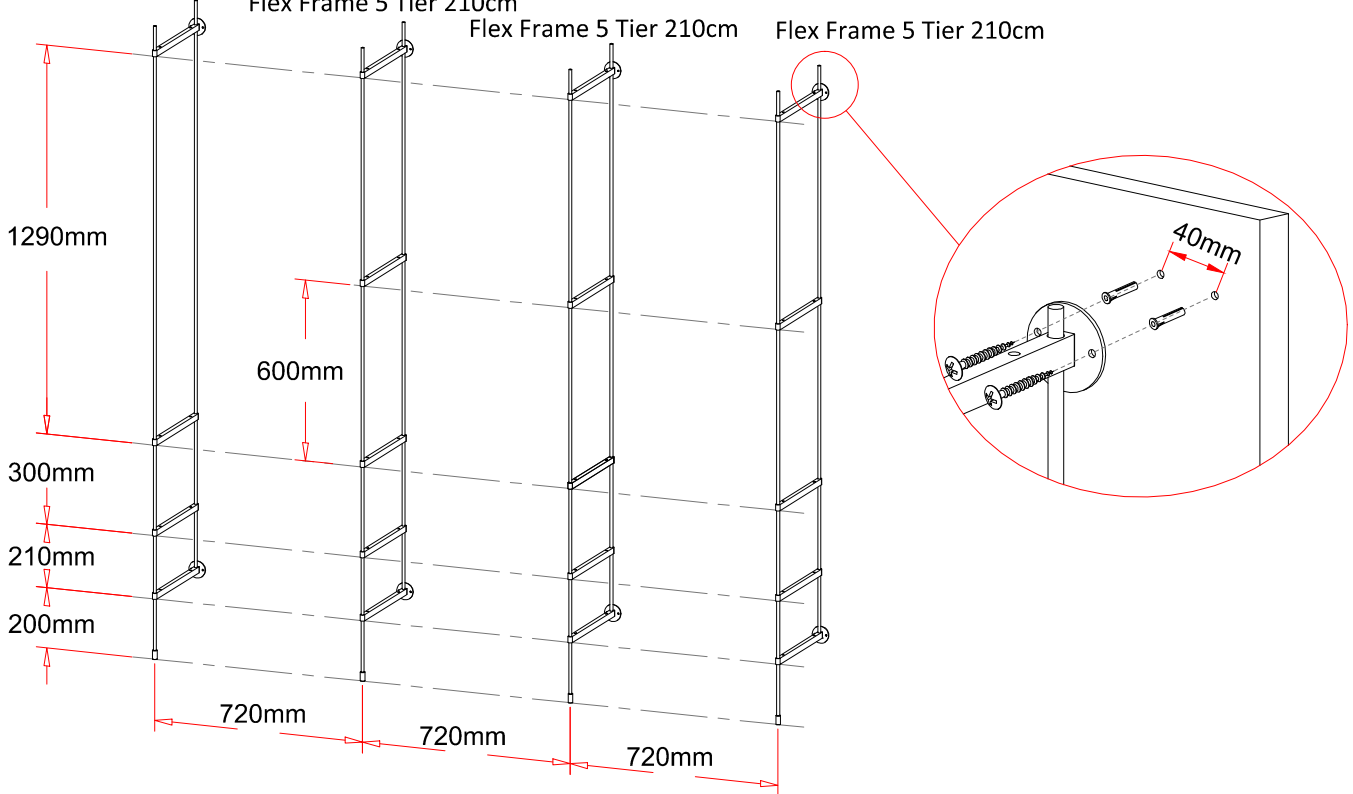
Step 1.

Flex Frame 4 Tier 210cm

Flex Frame 5 Tier 210cm

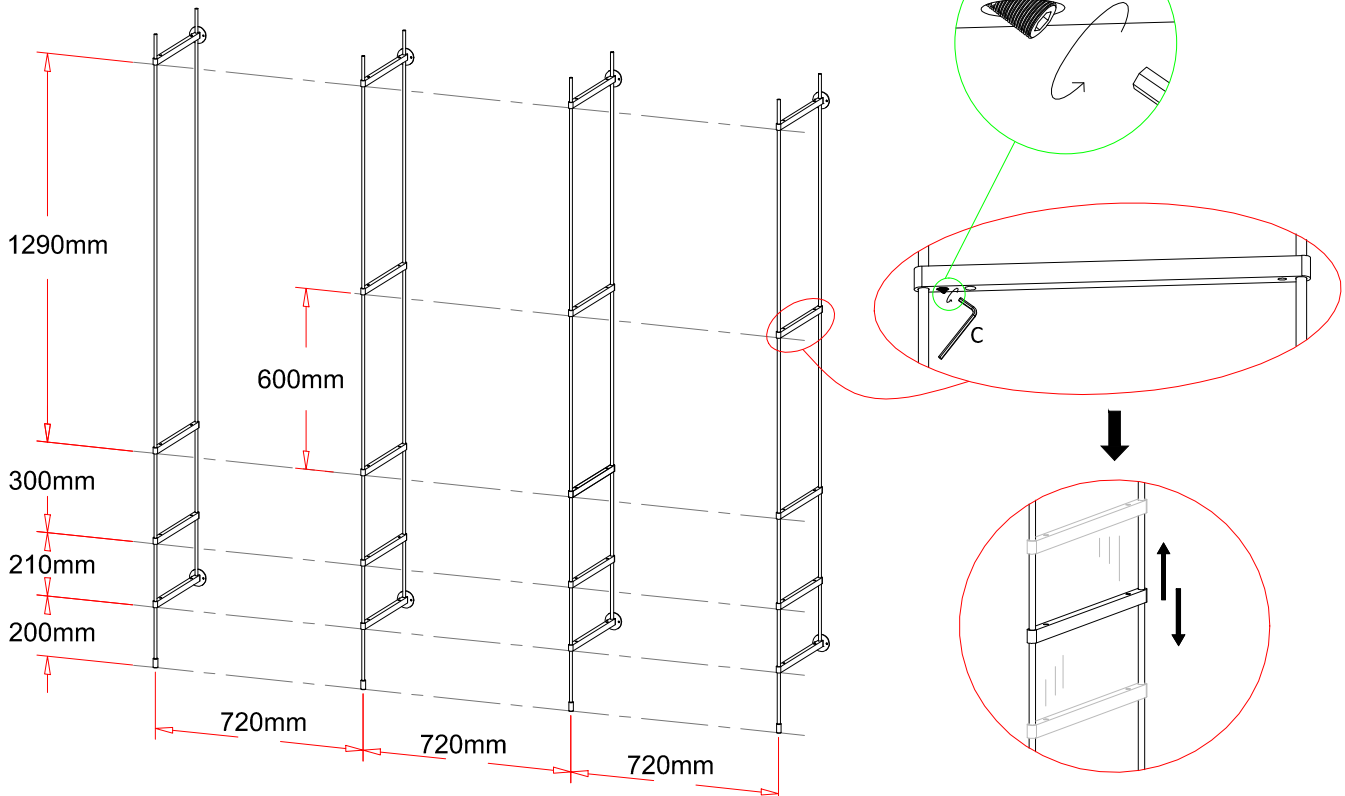
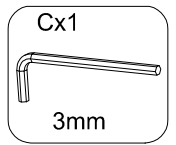
Flex Frame 5 Tier 210cm

Flex Frame 5 Tier 210cm



Step 2.

Note : please adjust Flex Frame 4 / and frame 5 support bars distance according to below drawing.



Flex Box 158cm

23948655

Thank you for purchasing flex box 158cm. Before you begin to assemble your new piece of furniture, please check to ensure that all hardware and parts have been supplied. This page lists all contents included in the carton(s).

Follow instructions closely as deviation from them may present a possible safety risk and may void your warranty.

It is recommended that assembly is done on a soft surface such as carpet to avoid any damage.

If you experience any problems with your new purchase, please phone Freedom Customer Service (FCS) on 1300 135 588 (Australia) or 0800 469 327 (New Zealand).

Care Information

Avoid direct sunlight as it may cause the product to change colour. Dust the surfaces by using soft and clean cloth. Avoid using harsh abrasives, chemicals or polishes. It is important to remove moist substances immediately.

Periodically check and re-tighten all fasteners. Always lift furniture, never drag it.

Hardware (Supplied)



m6x35mm
Part A x 6



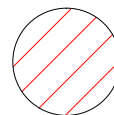
Ø4x40mm
Part B x 6



Ø8x30mm
Part C x 12

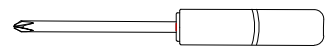


Ø14.6x12mm
Part D x 6

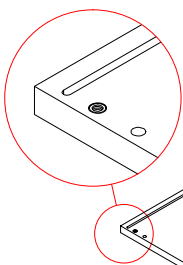


Ø20
art E x 6

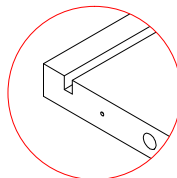
Hardware (Not Supplied)



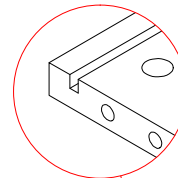
Parts



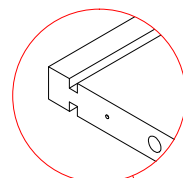
① x 1



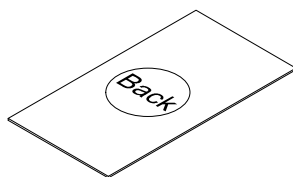
② x 1



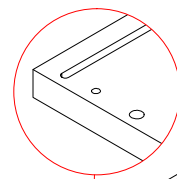
③ x 1



④ x 1

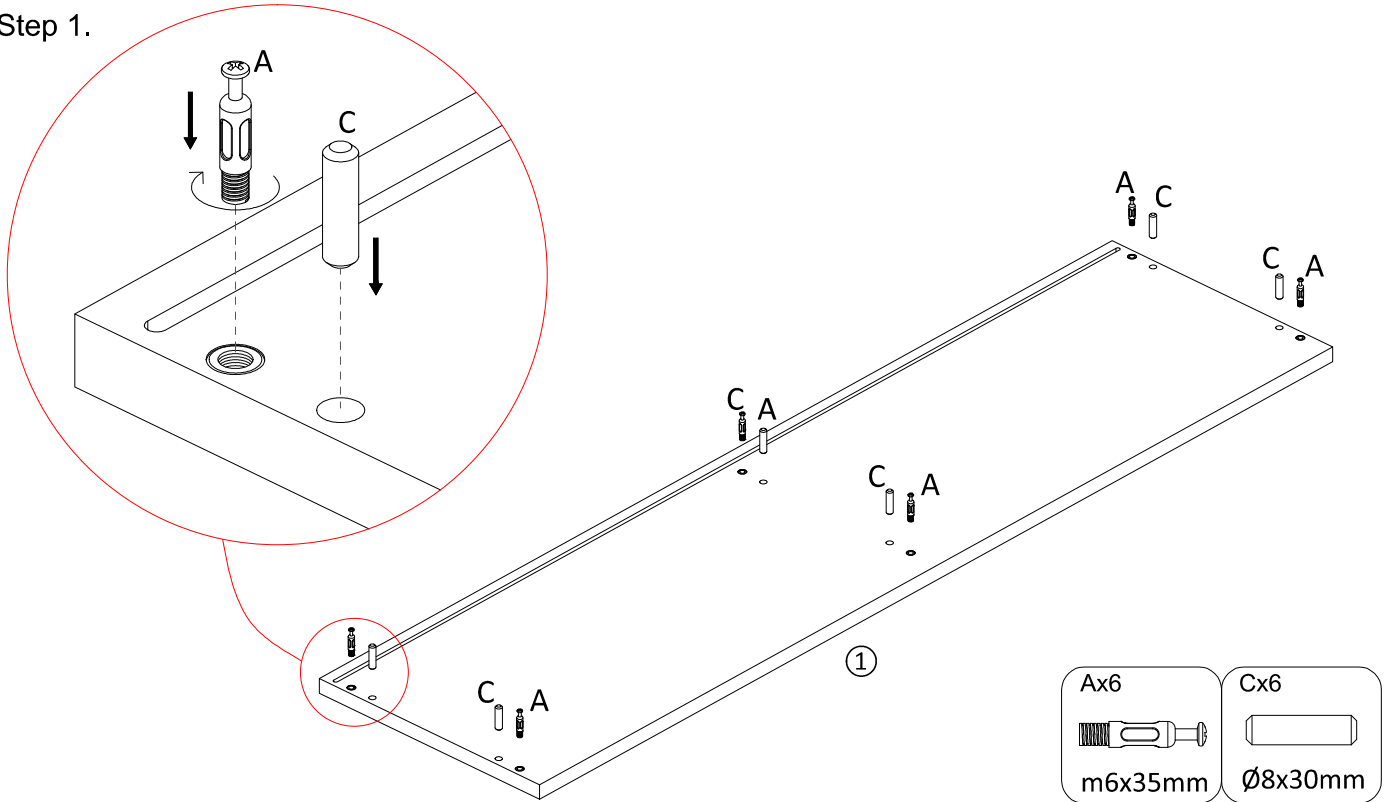


⑤ x 2

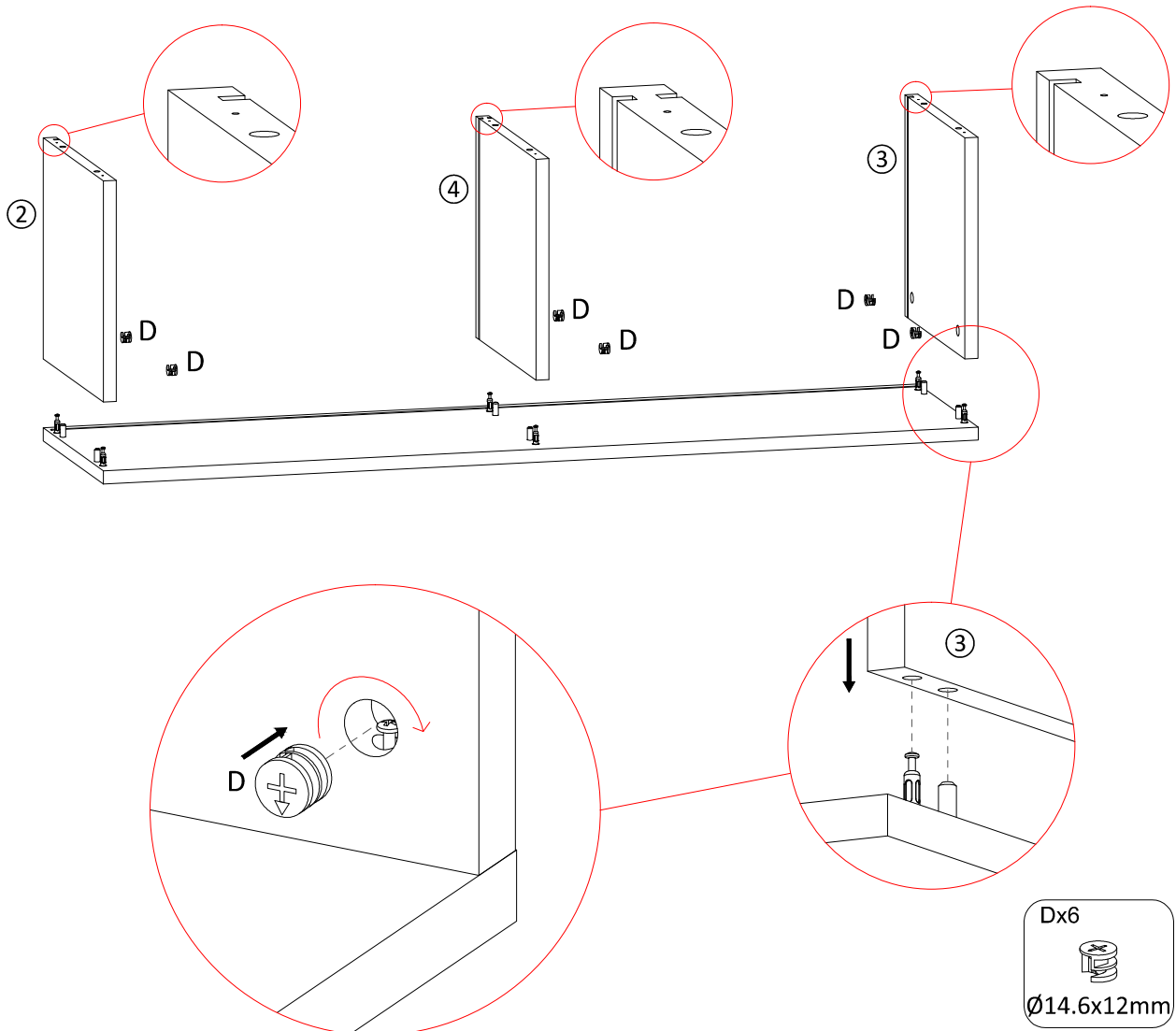


⑥ x 1

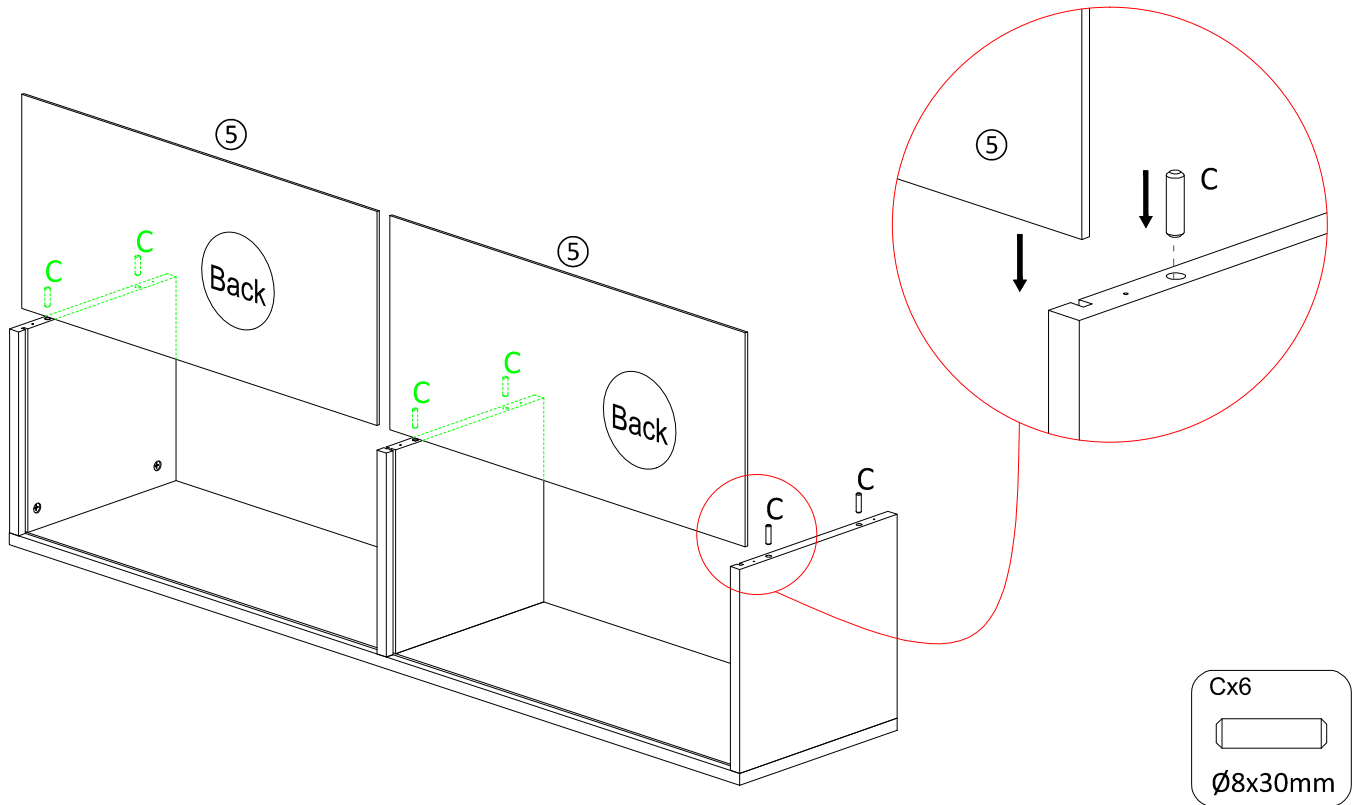
Step 1.



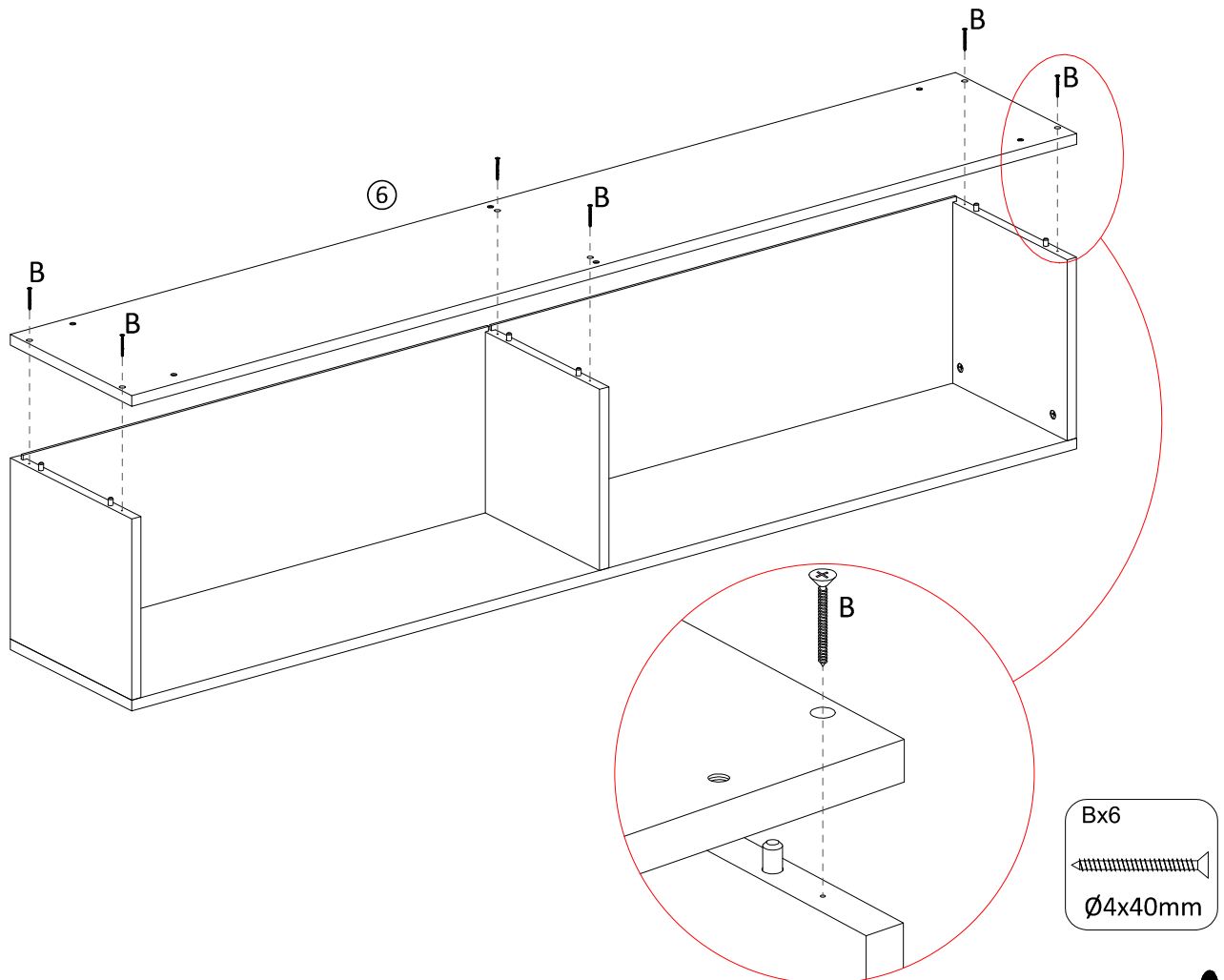
Step 2.



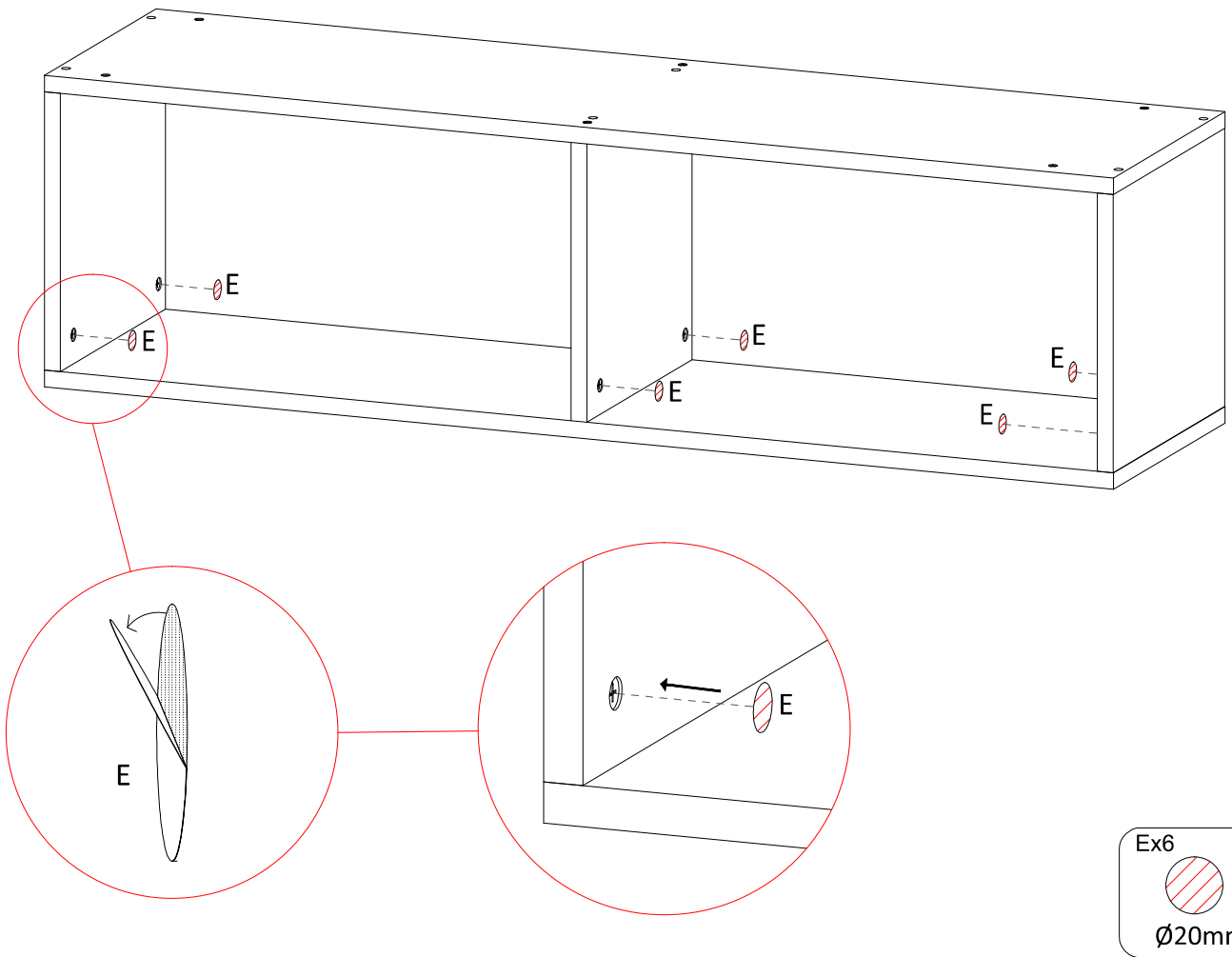
Step 3.



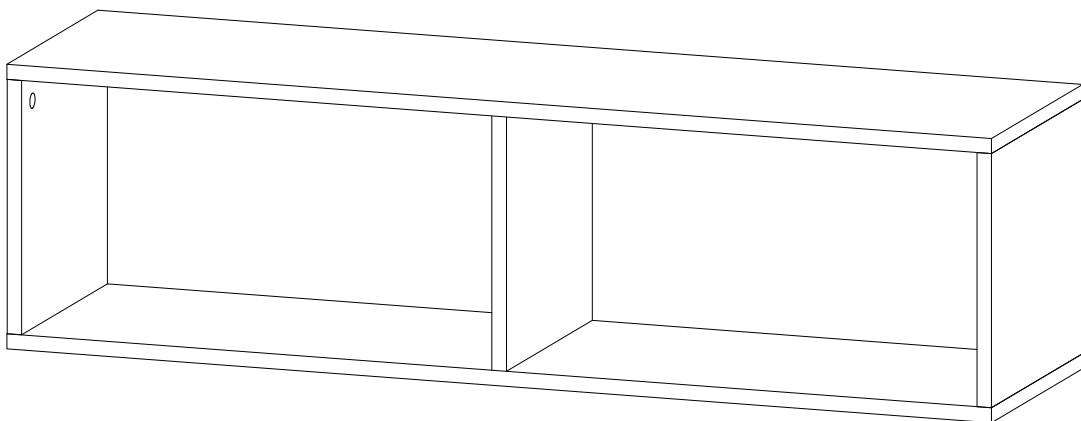
Step 4.



Step 5.



Finish



Flex Box 86cm

23935501

Thank you for purchasing flex box 86cm. Before you begin to assemble your new piece of furniture, please check to ensure that all hardware and parts have been supplied. This page lists all contents included in the carton(s).

Follow instructions closely as deviation from them may present a possible safety risk and may void your warranty.

It is recommended that assembly is done on a soft surface such as carpet to avoid any damage.

If you experience any problems with your new purchase, please phone Freedom Customer Service (FCS) on 1300 135 588 (Australia) or 0800 469 327 (New Zealand).

Care Information

Avoid direct sunlight as it may cause the product to change colour. Dust the surfaces by using soft and clean cloth. Avoid using harsh abrasives, chemicals or polishes. It is important to remove moist substances immediately.

Periodically check and re-tighten all fasteners. Always lift furniture, never drag it.

Hardware (Supplied)



m6x35mm
Part A x 4



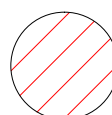
Ø4x40mm
Part B x 4



Ø8x30mm
Part C x 8



Ø14.6x12mm
Part D x 4

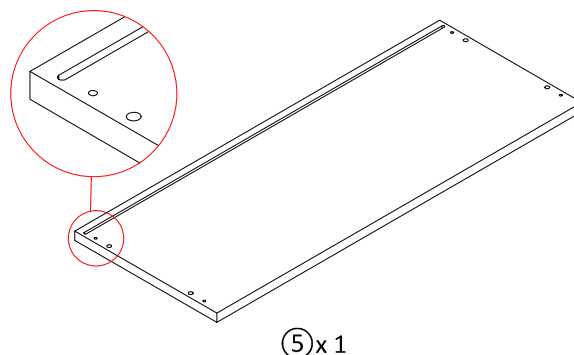
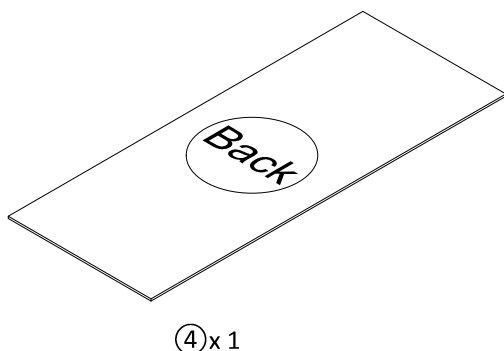
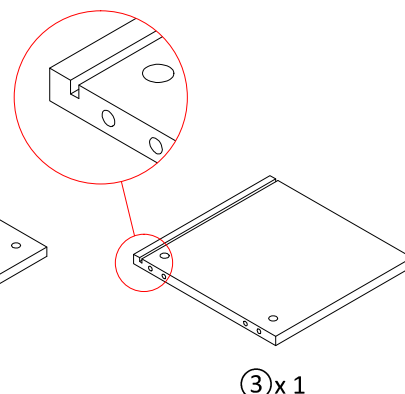
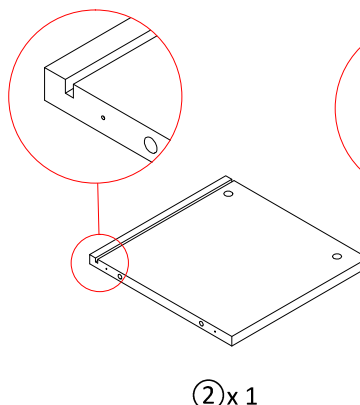
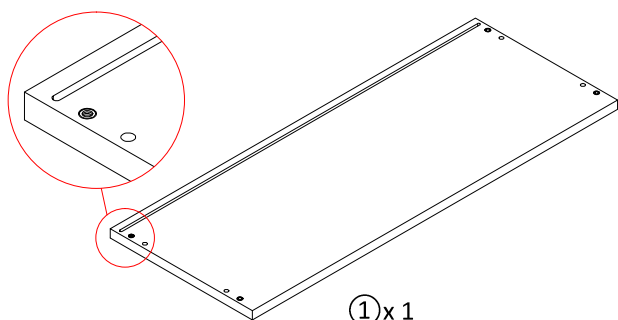


Ø20
art E x 4

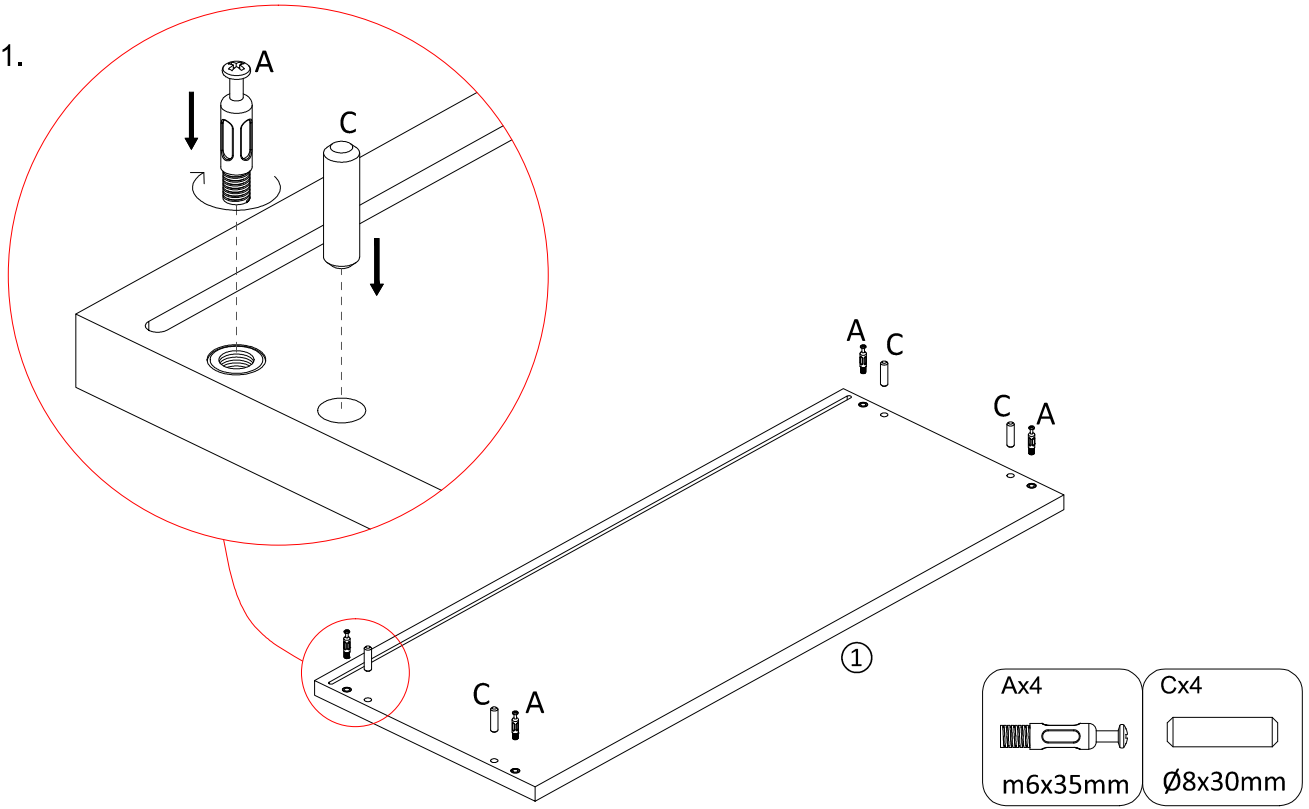
Hardware (Not Supplied)



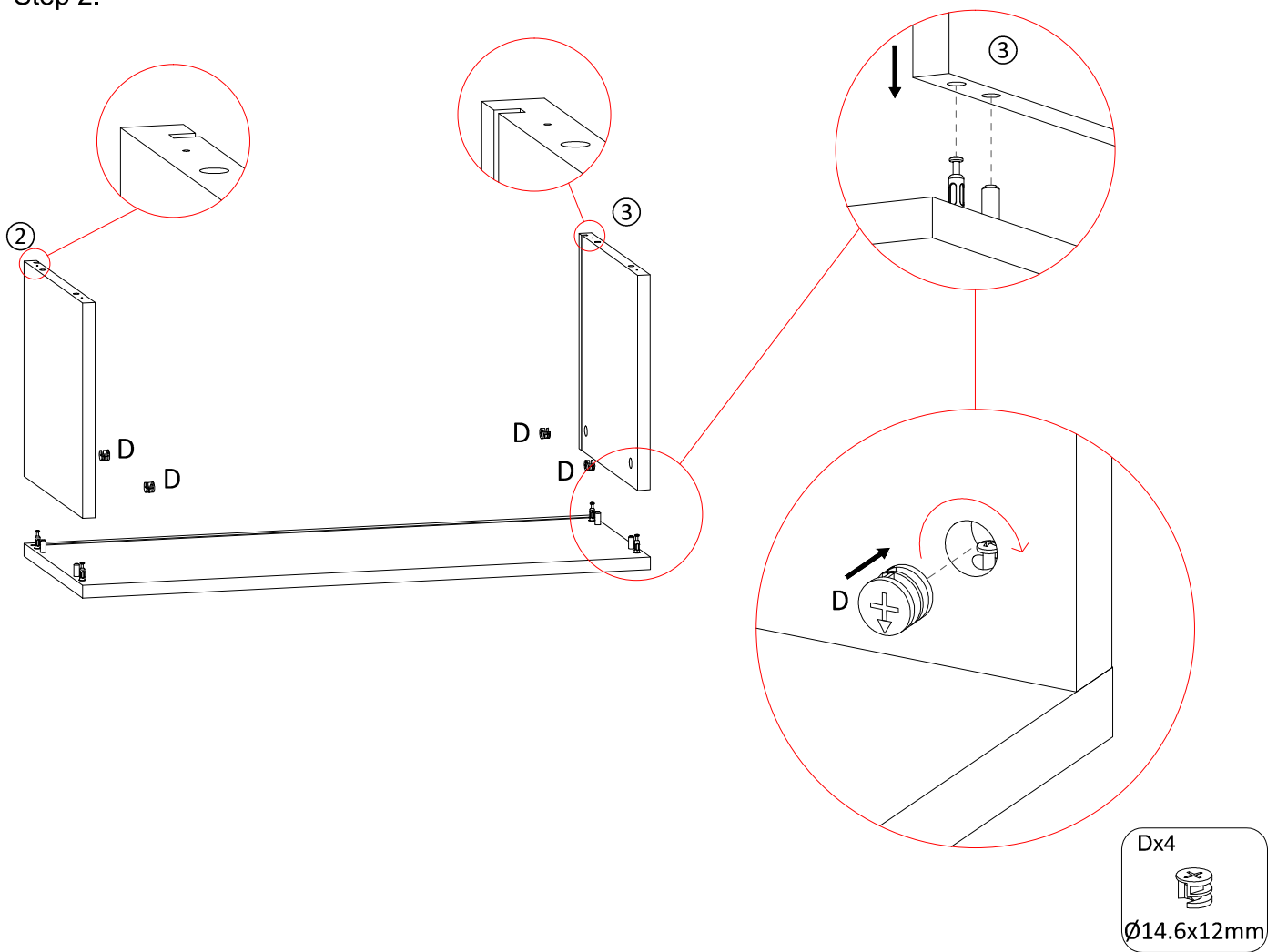
Parts



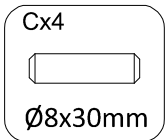
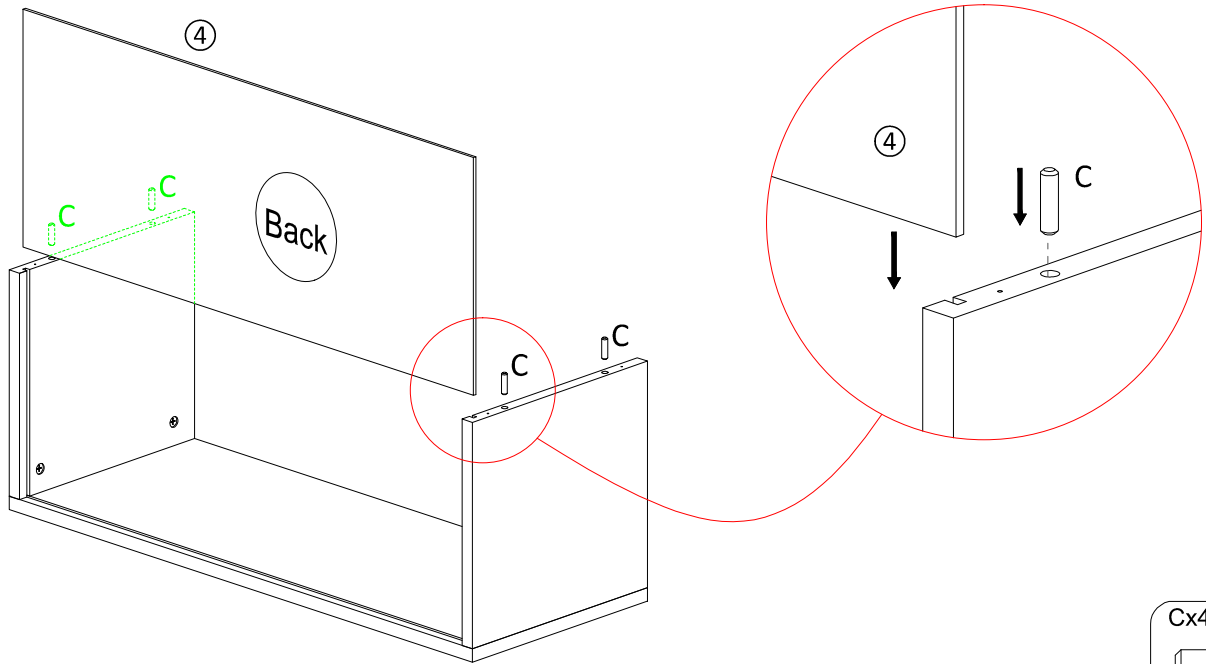
Step 1.



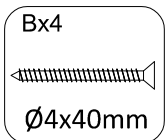
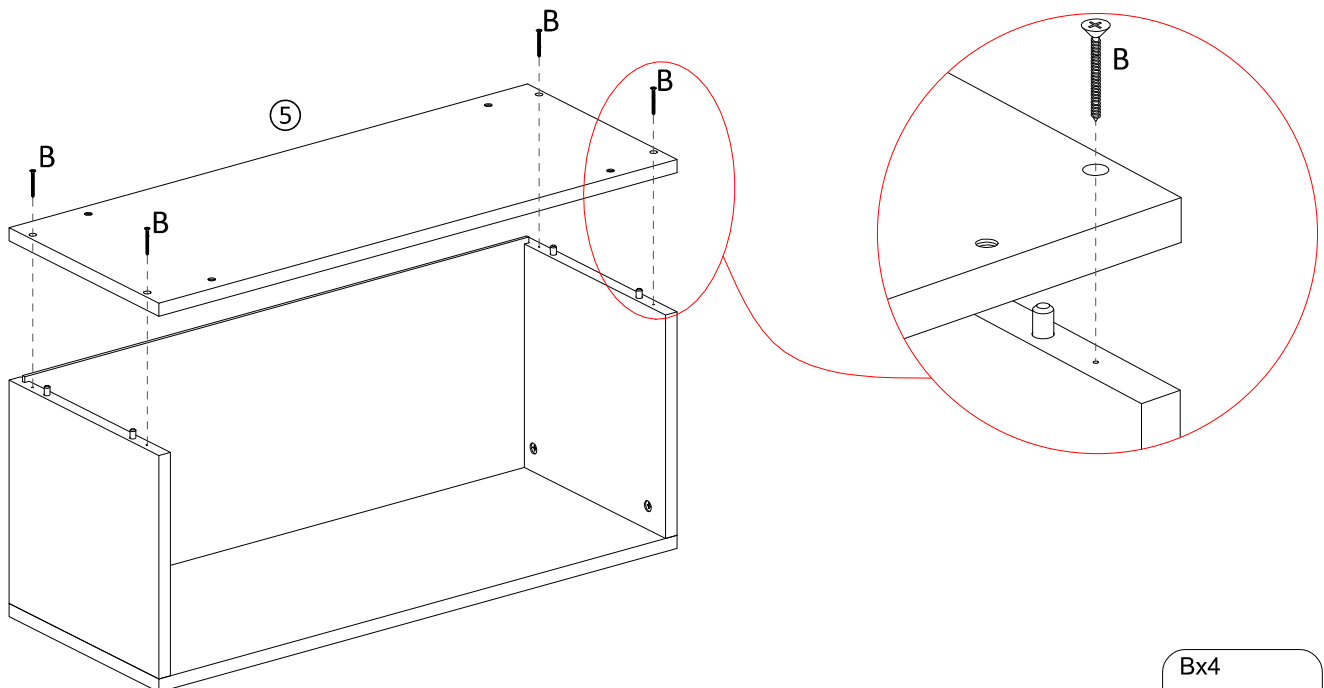
Step 2.



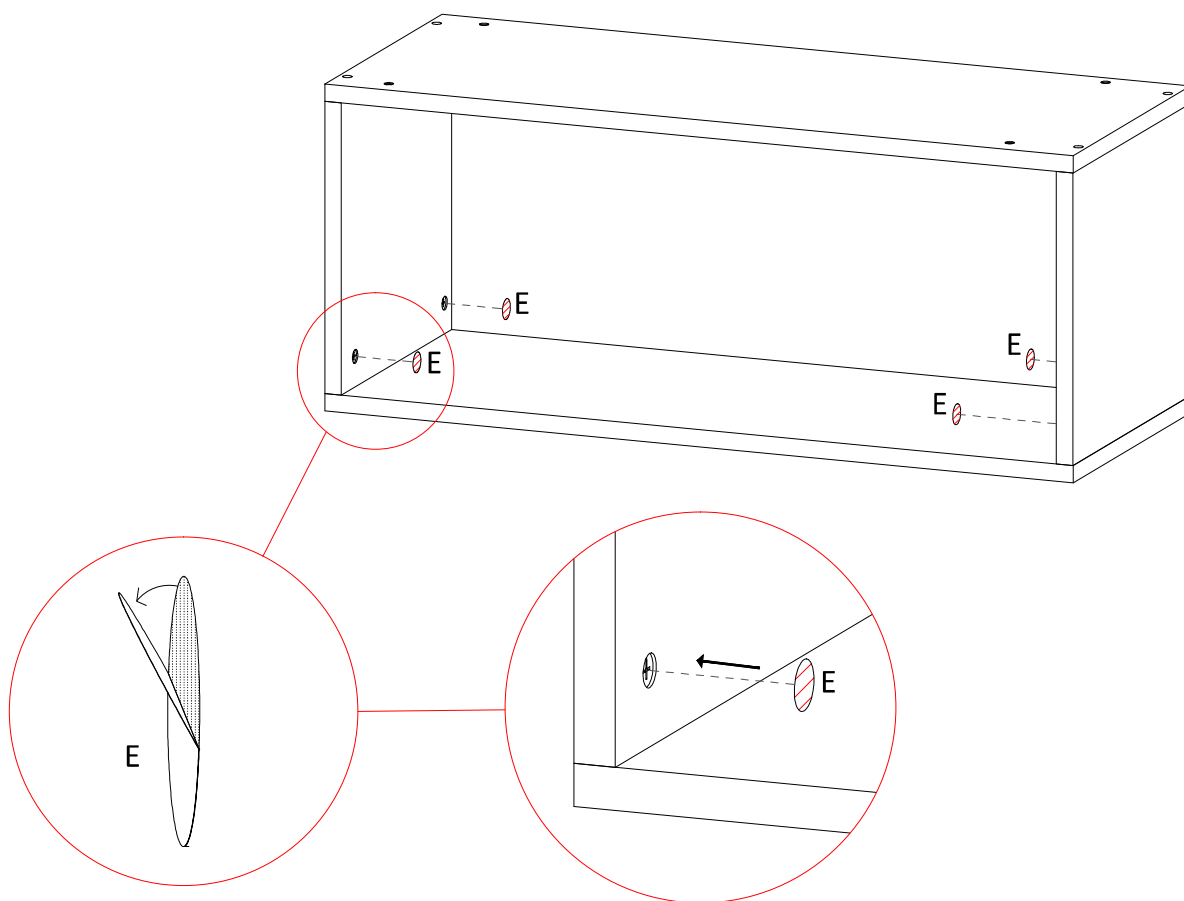
Step 3.



Step 4.



Step 5.



Finish

