

Oren Office Chair

SKU NO: 24132121

Thank you for purchasing the Oren Office Chair. Before you begin to assemble your new piece of furniture, please check to ensure that all hardware and parts have been supplied. This page lists all contents included in the carton(s).

Follow instructions closely as deviation from them may present a possible safety risk and may void your warranty.

It is recommended that assembly is done on a soft surface such as carpet to avoid any damage. If you experience any problems with your new purchase, please contact Freedom Customer Service via www.freedom.com.au (Australia) or www.freedomfurniture.co.nz (New Zealand).

Care Information

Periodically check and re-tighten any fasteners. Avoid direct sunlight.

Dust regularly using a clean cloth. Wash in a mild solution of warm, soapy water.

Do not saturate. Dry thoroughly using a towel. Treat spills and stains as soon as they occur.




Gently scrape any soil or mop any liquid from the surface of the PU.

Apply proprietary cleaning agents strictly according to instructions to remove the residue of the spill.

GENERAL CARE

Using a floor specific chair mat will reduce the wear and tear of your flooring surface.

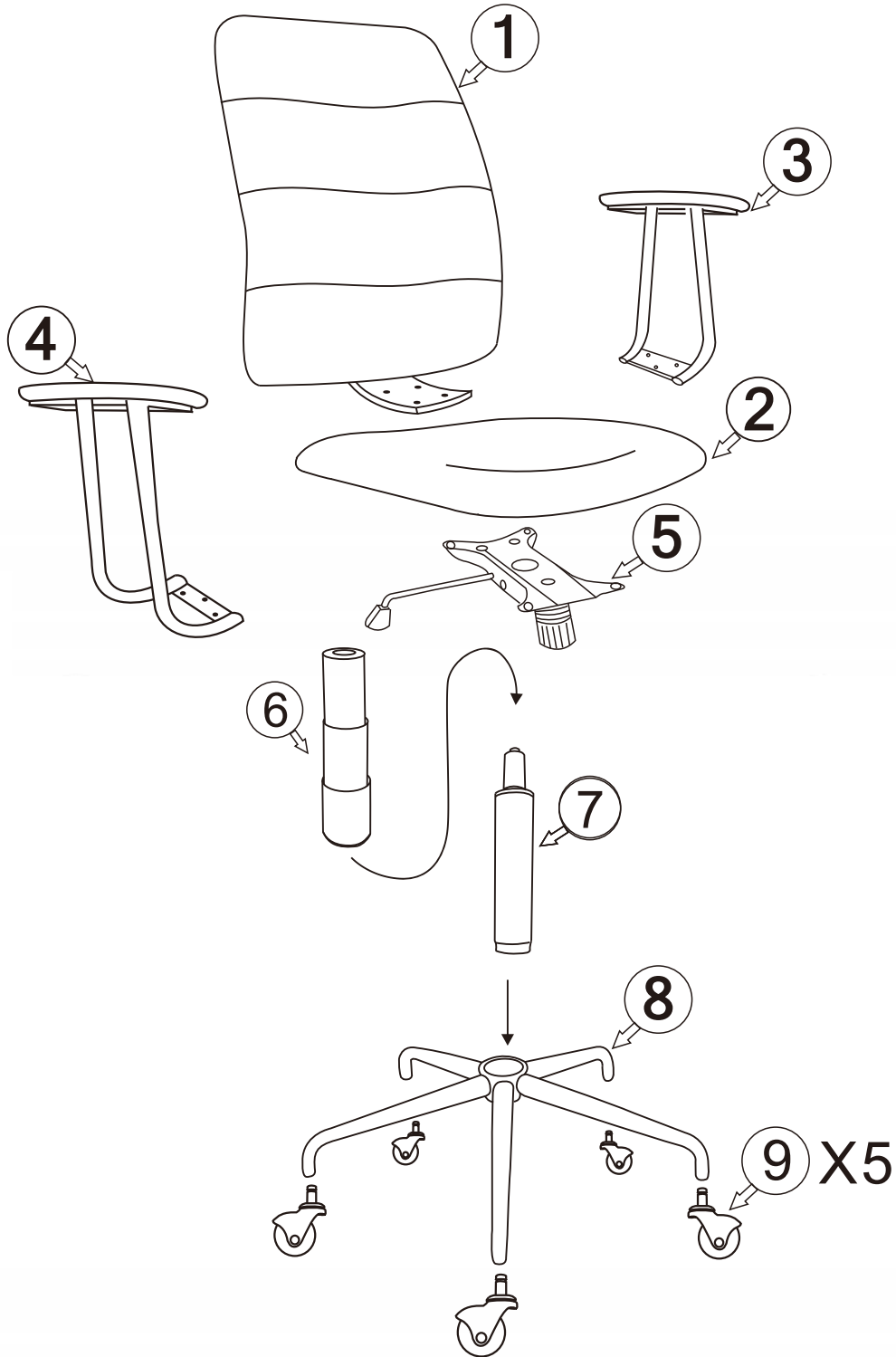
Hardware

Ax10 M6x20mm 	Bx4 M6x30mm 	Cx1 
--	---	--

Oren Office Chair

SKU NO: 24132121

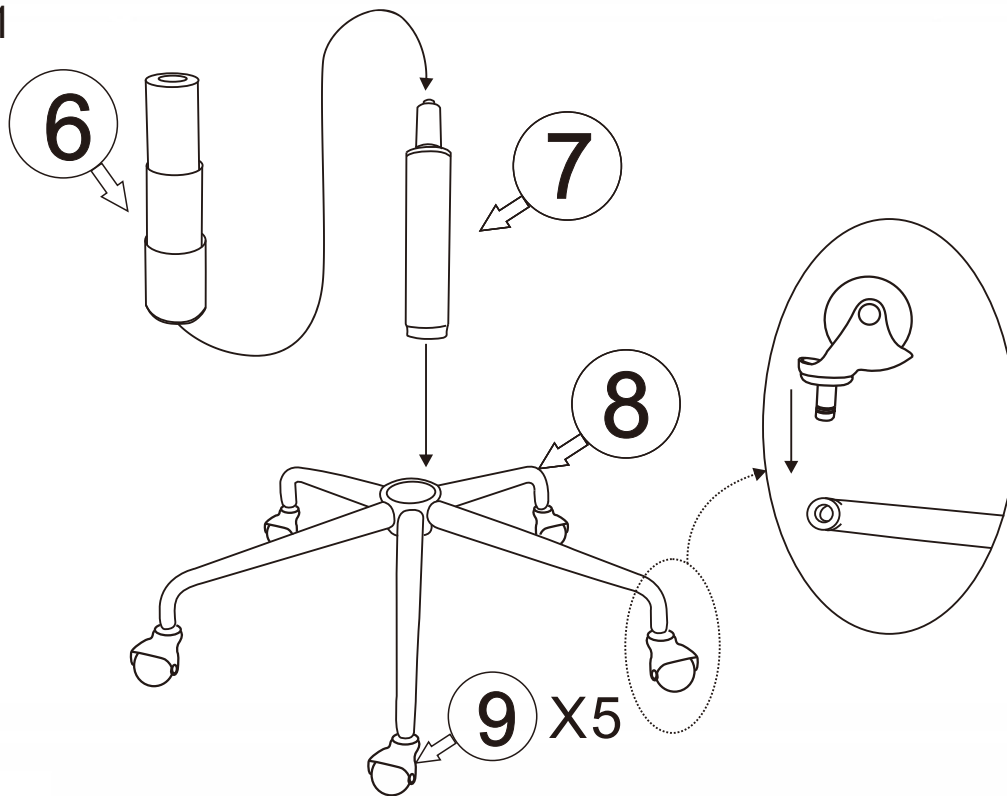
Parts



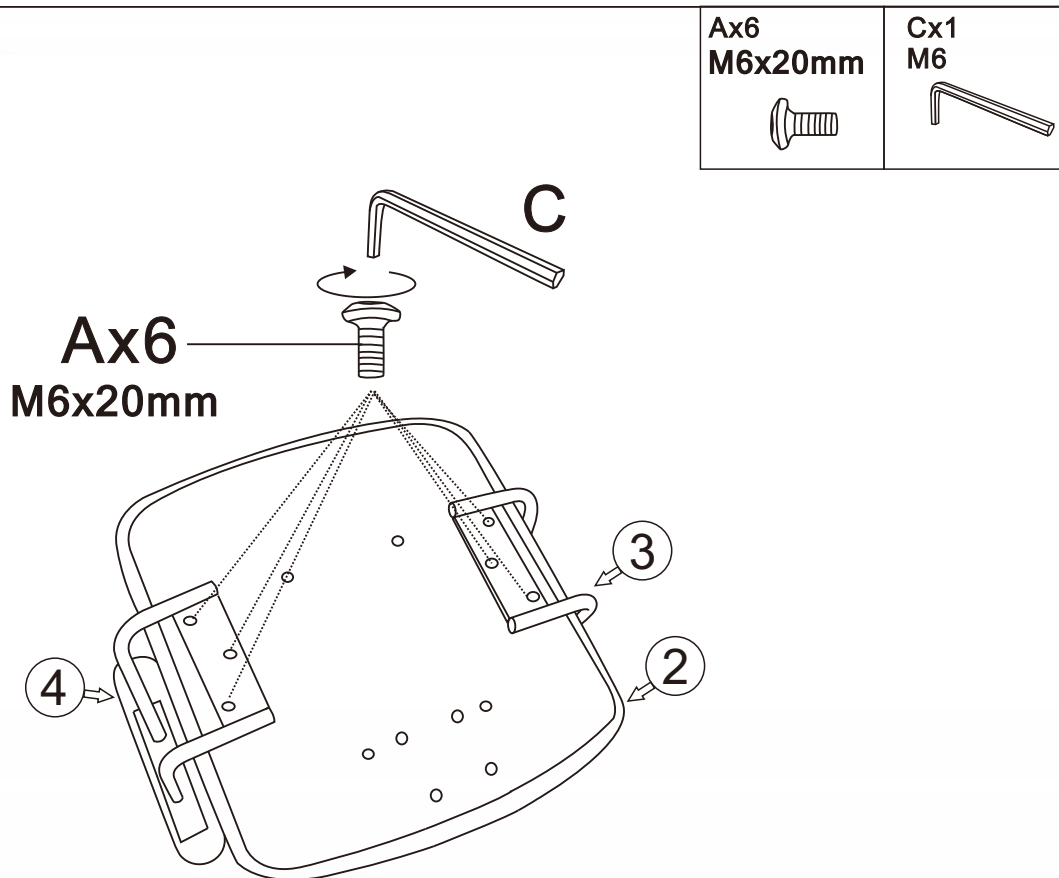
Oren Office Chair

SKU NO: 24132121

Step 1



Step 2

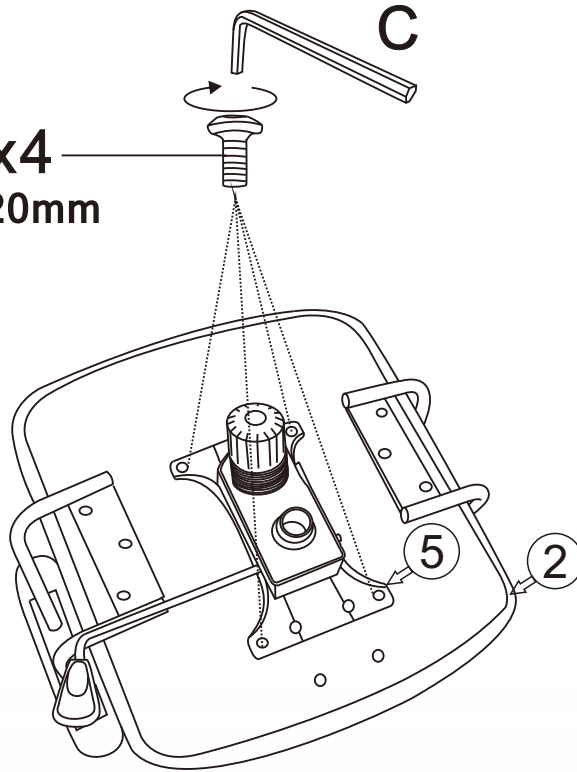


Oren Office Chair

SKU NO: 24132121

Step 3

Ax4
M6x20mm



Ax4
M6x20mm

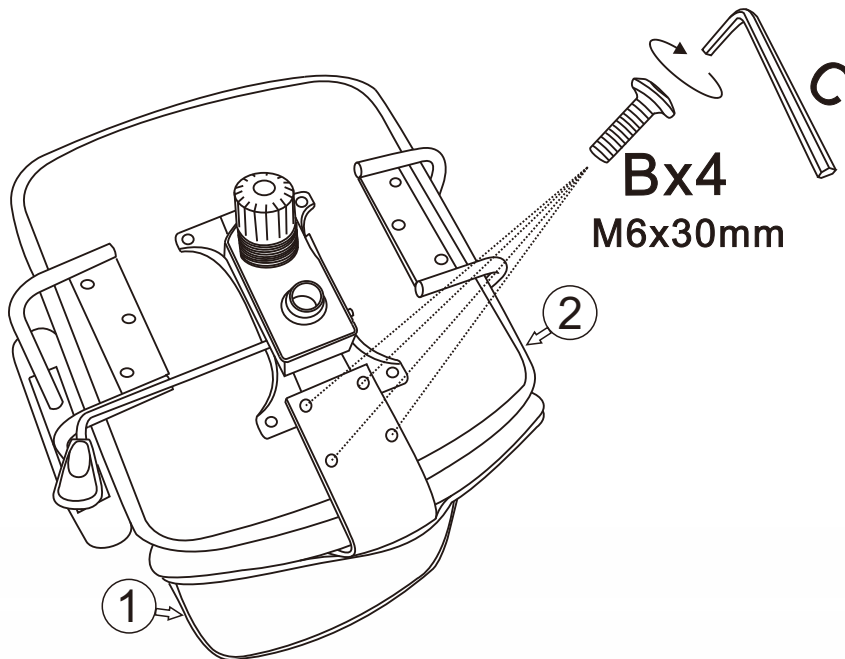


Cx1
M6



Step 4

Bx4
M6x30mm



Bx4
M6x30mm



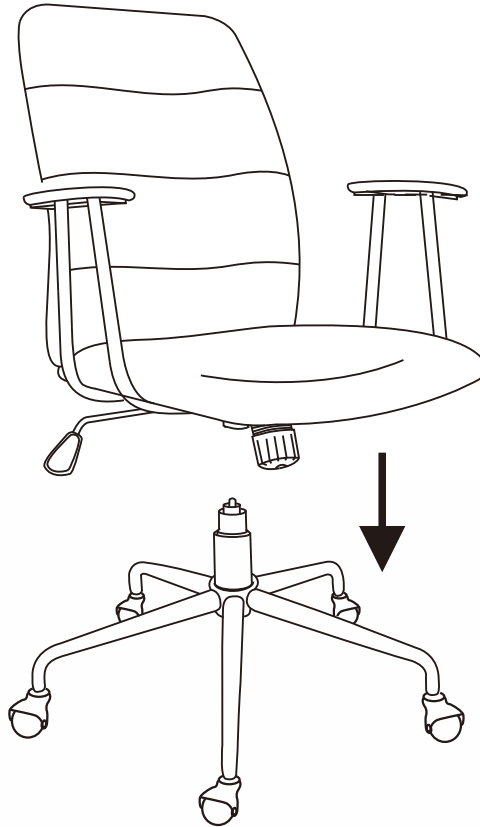
Cx1
M6



Oren Office Chair

SKU NO: 24132121

Step 5



Finished

