

Worker Desk Small

24132336(Matte Black) / 24132350(Matte Black) / 24132374(Matte Grey)
24132381(Brushed Brass) / 24132435(Brushed Brass) / 24132398(Marble)
24132428(Stainless Steel) / 24132442(Stainless Steel) / 24132503(Elm)



This assembly requires two persons.

Thank you for purchasing Worker Desk Small. Before you begin to assemble your new piece of furniture, please check to ensure that all hardware and parts have been supplied. This page lists all contents included in the carton(s).

Follow instructions closely as deviation from them may present a possible safety risk and may void your warranty.

It is recommended that assembly is done on a soft surface such as carpet to avoid any damage.

If you experience any problems with your new purchase, please contact Freedom Customer Service via livechat@freedom.com.au (Australia) or 0800 469 327 (New Zealand).

Care Information

MARBLE

To protect the marble and make it easier to clean, a clear lacquer is applied. This finish will help guard the marble from every-day spills like wine, grease and coffee. The finish will not withstand harsh acids and cellulose. Wipe any spill immediately with a clean cloth to avoid staining. Using table runners, place mats and coasters will lesson the chances of marking and damaging the marble

Do not clean using acidic cleaners that are lemon or vinegar based. These can stain the marble. Simply wipe the marble down with a mild soapy solution and dry.

If you need to move your marble table, Always lift furniture, never drag it (even for a short distance). Dragging places greater stresses on the table frame. Avoid knocking the edges of marble as this may chip or scratch it.

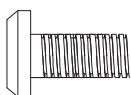
Periodically check and re-tighten all fasteners.

MDF

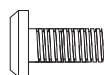
Avoid direct sunlight as it may cause the product to change colour. Dust the surfaces by using soft and clean cloth. Avoid using harsh abrasives, chemicals or polishes. It is important to remove moist substances immediately.

Periodically check and re-tighten all fasteners. Always lift furniture, never drag it.

Hardware (Supplied)



m8*12mm
Part A x 32



m6*12mm
Part B x 2



M6*12 mm
Part C x 8



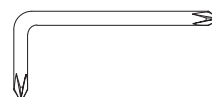
Ø13* 1 mm
Part D x 8



5mm
Part E x 1



4mm
Part F x 1

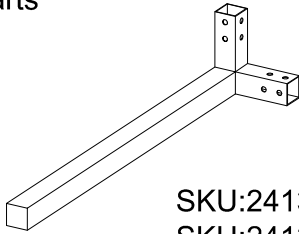


6mm
Part G x 1

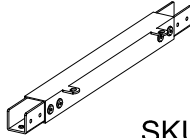
Worker Desk Small

24132336(Matte Black) / 24132350(Matte Black) / 24132374(Matte Grey)
 24132381(Brushed Brass) / 24132435(Brushed Brass) / 24132398(Marble)
 24132428(Stainless Steel) / 24132442(Stainless Steel) / 24132503(Elm)

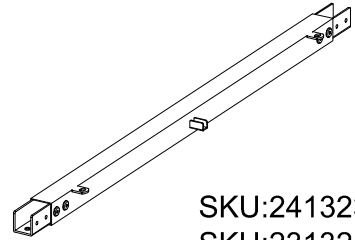
Parts



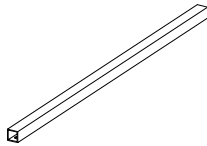
①x4
 SKU:24132336
 SKU:24132381
 SKU:24132428



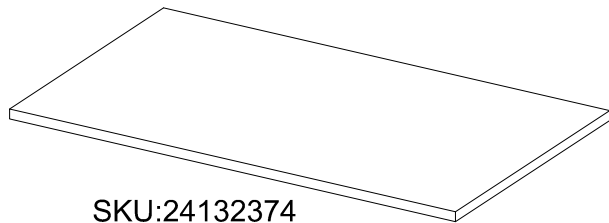
②x2
 SKU:24132336
 SKU:24132381
 SKU:24132428



③x2
 SKU:24132350
 SKU:23132435
 SKU:24132442

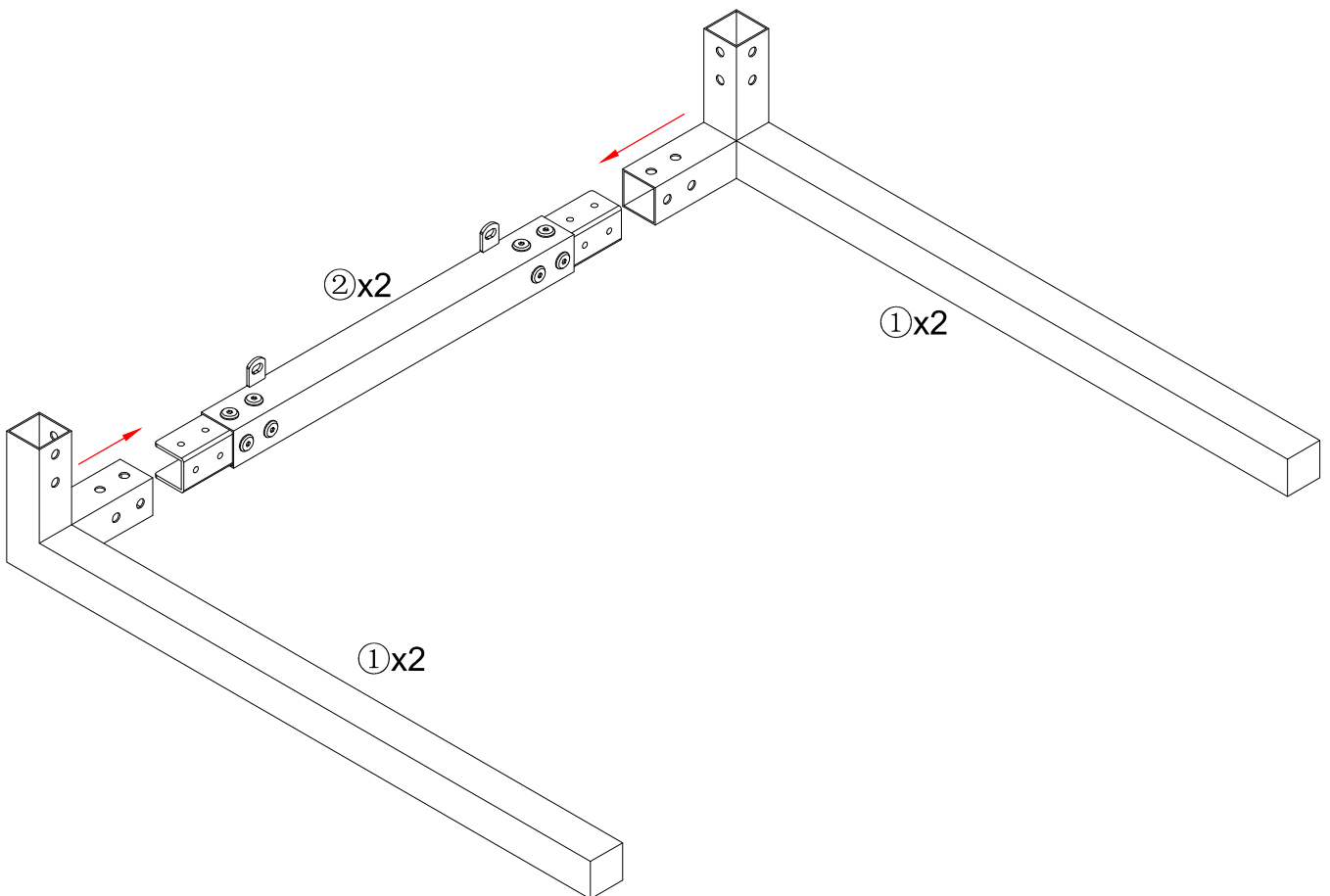


④x1
 SKU:24132350
 SKU:23132435
 SKU:24132442



⑤x1
 SKU:24132374
 SKU:24132398
 SKU:24132503

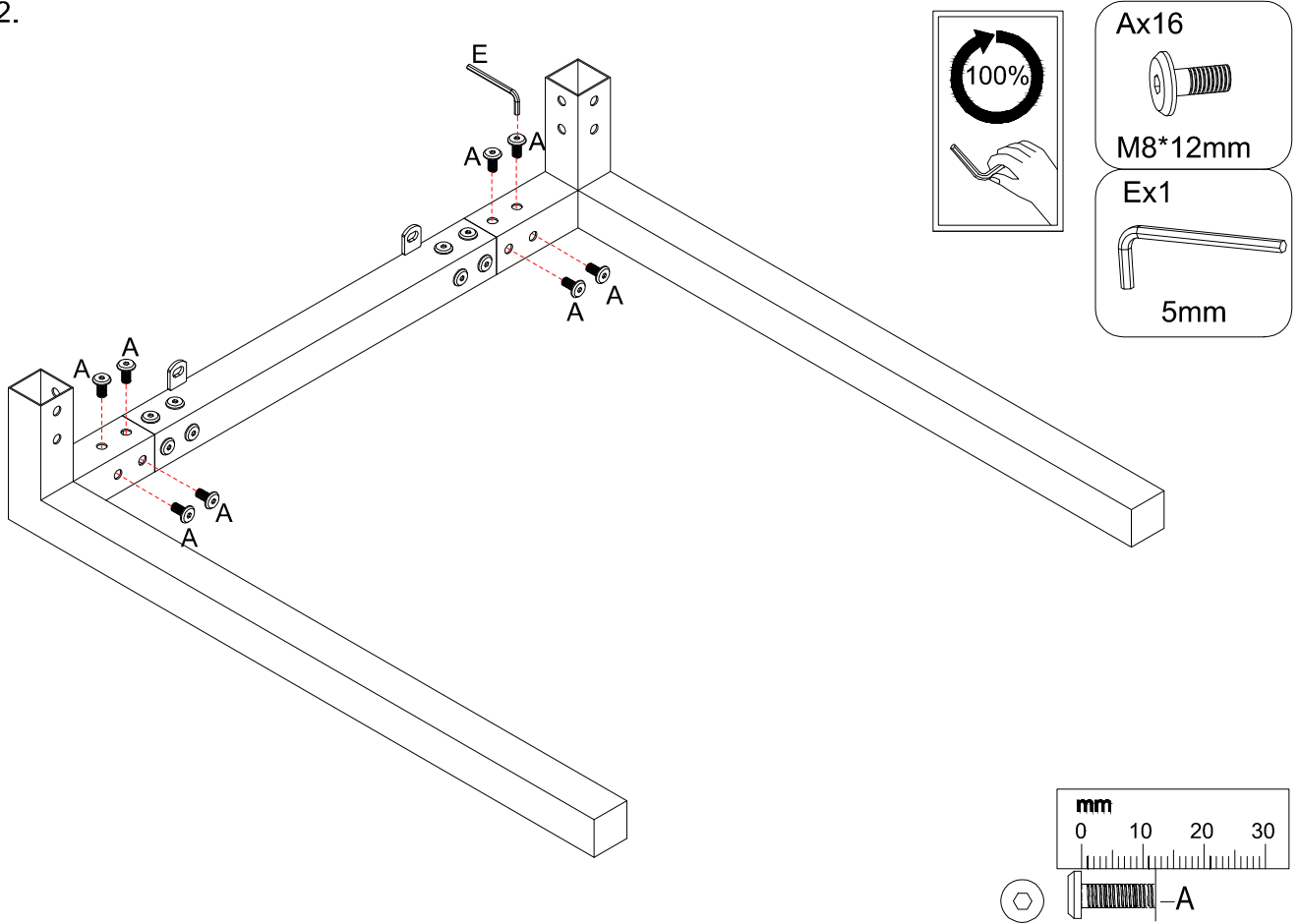
Step 1.



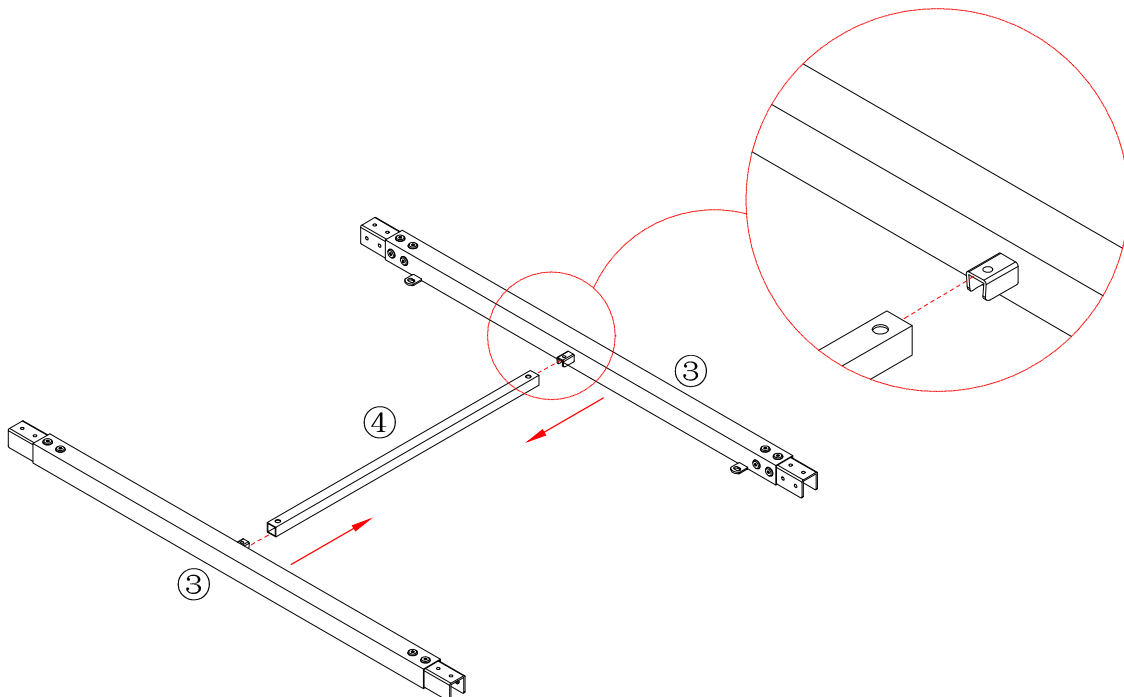
Worker Desk Small

24132336(Matte Black) / 24132350(Matte Black) / 24132374(Matte Grey)
24132381(Brushed Brass) / 24132435(Brushed Brass) / 24132398(Marble)
24132428(Stainless Steel) / 24132442(Stainless Steel) / 24132503(Elm)

Step 2.



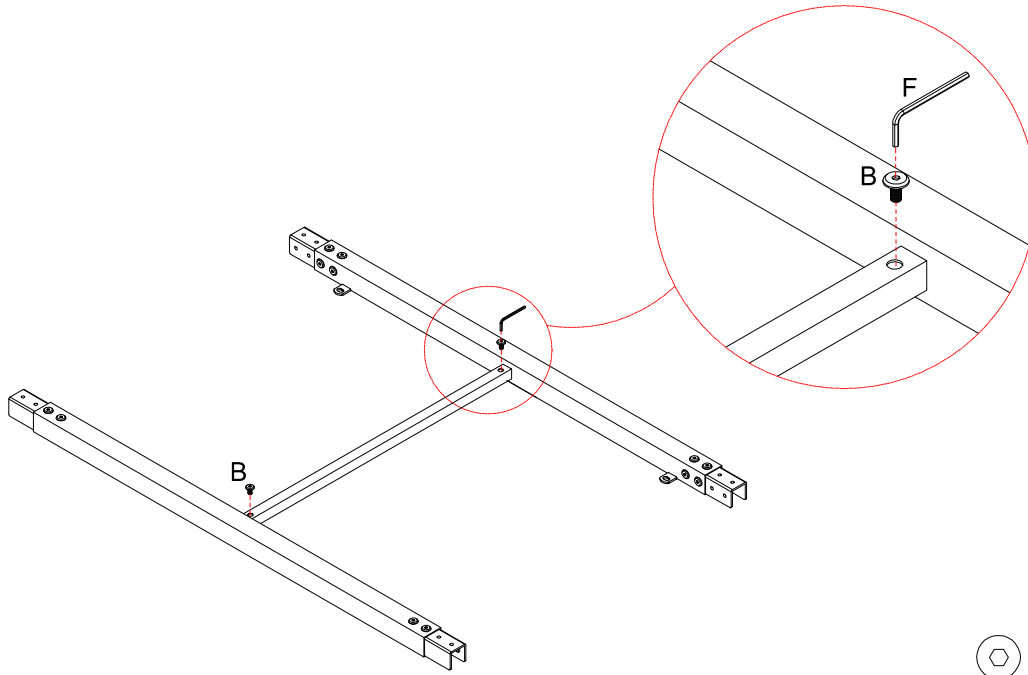
Step 3.



Worker Desk Small

24132336(Matte Black) / 24132350(Matte Black) / 24132374(Matte Grey)
24132381(Brushed Brass) / 24132435(Brushed Brass) / 24132398(Marble)
24132428(Stainless Steel) / 24132442(Stainless Steel) / 24132503(Elm)

Step 4.

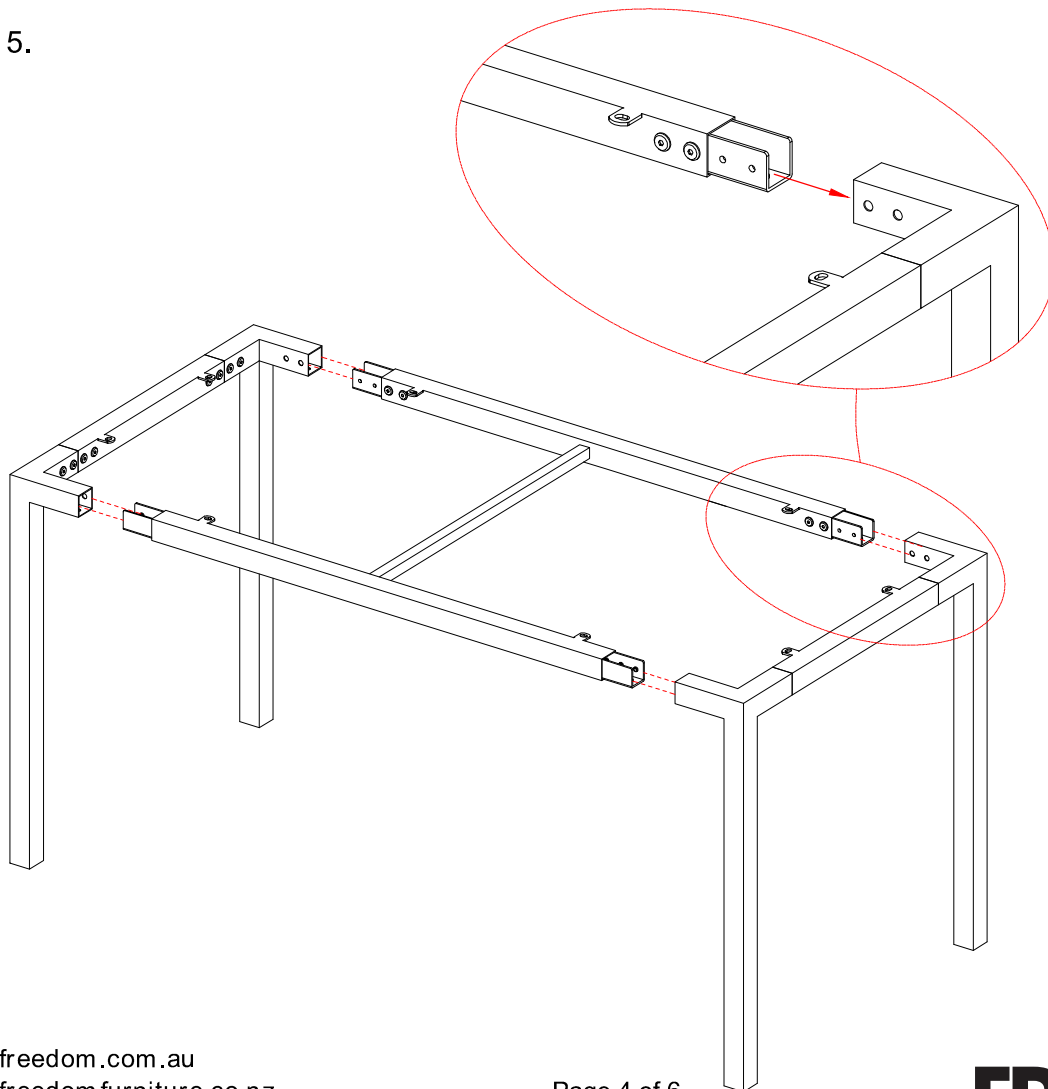


Bx2
M6*12mm

Fx1
4mm

100%

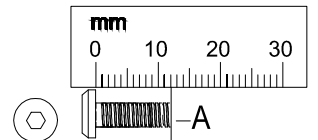
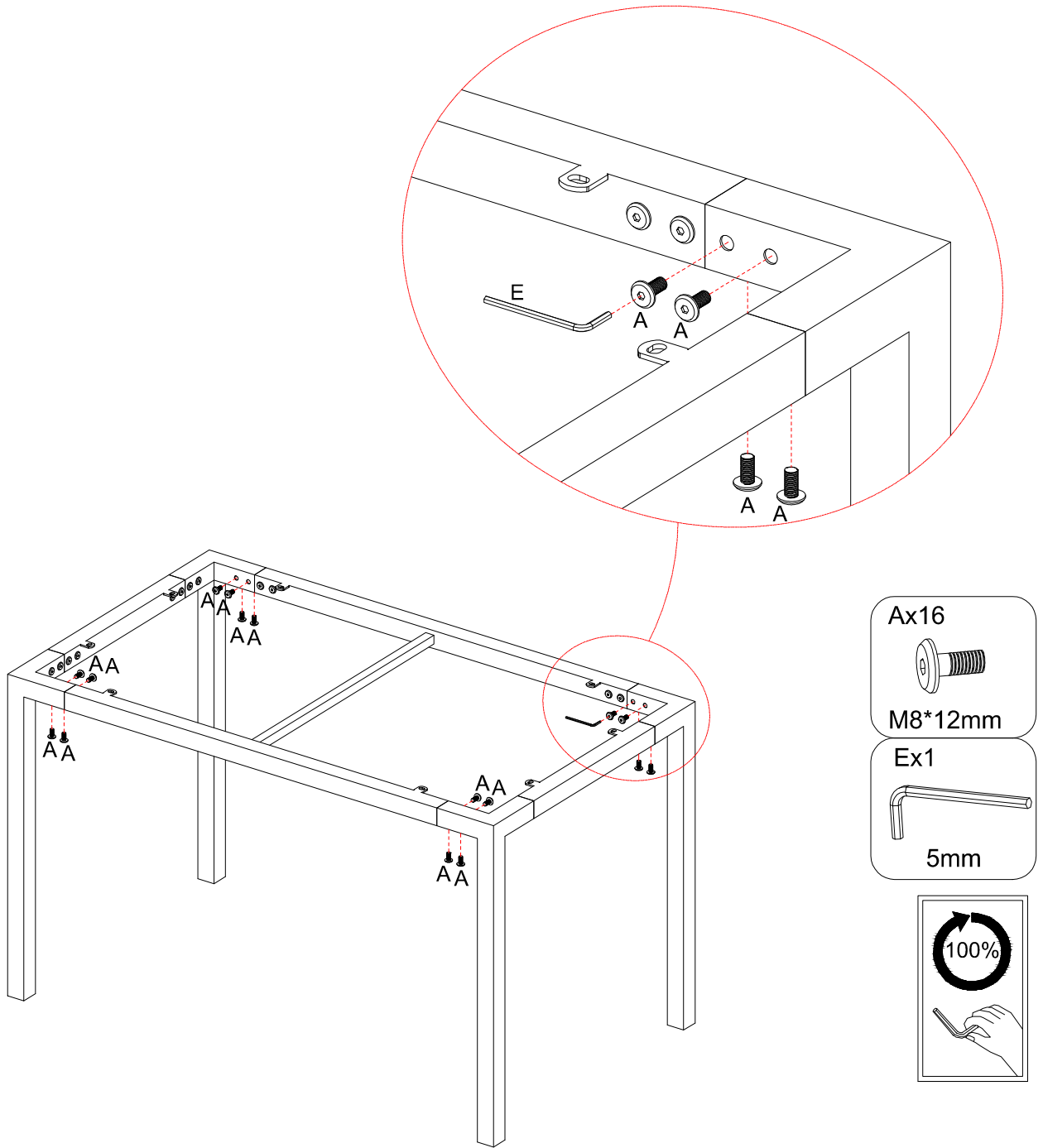
Step 5.



Worker Desk Small

24132336(Matte Black) / 24132350(Matte Black) / 24132374(Matte Grey)
24132381(Brushed Brass) / 24132435(Brushed Brass) / 24132398(Marble)
24132428(Stainless Steel) / 24132442(Stainless Steel) / 24132503(Elm)

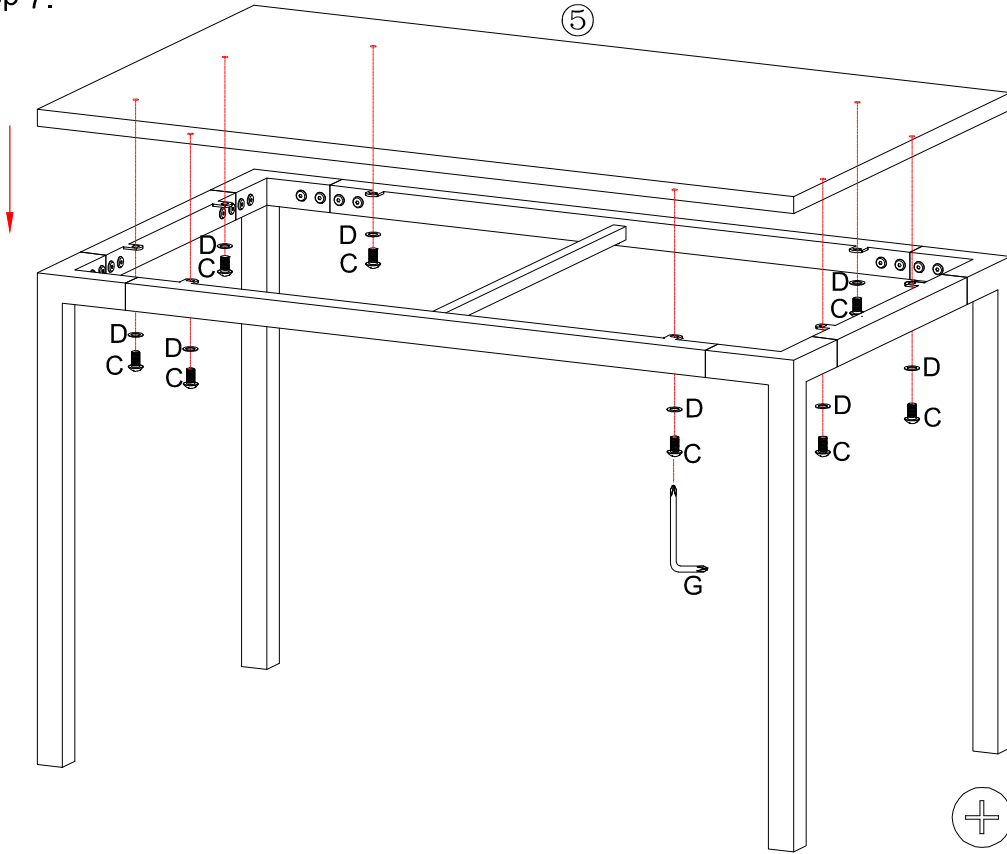
Step 6.

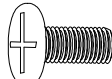


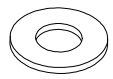
Worker Desk Small


24132336(Matte Black) / 24132350(Matte Black) / 24132374(Matte Grey)
24132381(Brushed Brass) / 24132435(Brushed Brass) / 24132398(Marble)
24132428(Stainless Steel) / 24132442(Stainless Steel) / 24132503(Elm)


Step 7.




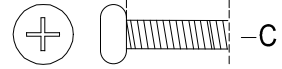
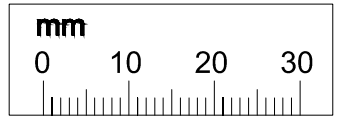
Cx8

M6*12mm

Dx8

Ø13*1mm

Gx1

6mm


100%





Step 8.

