

# Flex Shelf System



This assembly requires two persons.

Thank you for purchasing Flex shelf system. Before you begin to assemble your new piece of furniture, please check to ensure that all hardware and parts have been supplied. This page lists all contents included in the carton(s).

Follow instructions closely as deviation from them may present a possible safety risk and may void your warranty.

It is recommended that assembly is done on a soft surface such as carpet to avoid any damage.

If you experience any problems with your new purchase, please contact Freedom Customer Service via [www.freedom.com.au](http://www.freedom.com.au) (Australia) or [www.freedomfurniture.co.nz](http://www.freedomfurniture.co.nz) (New Zealand).

## Care Information

Avoid direct sunlight as it may cause the product to change colour. Dust the surfaces by using soft and clean cloth. Avoid using harsh abrasives, chemicals or polishes. It is important to remove moist substances immediately.

Periodically check and re-tighten all fasteners. Always lift furniture, never drag it.

### Hardware (Supplied)

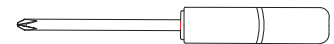


m6\*25mm  
Part A x 34

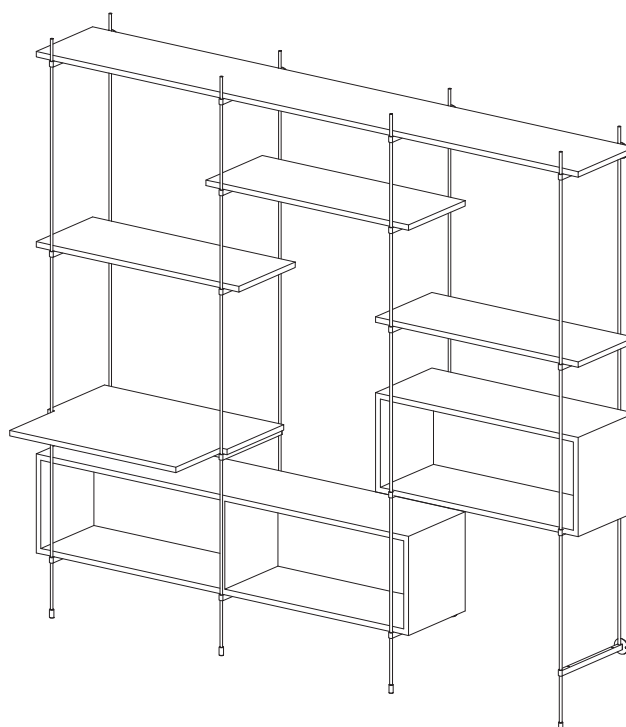


5mm  
Part B x 1

### Hardware (Not Supplied)



## Flex Shelf Assembly Style 1



Parts



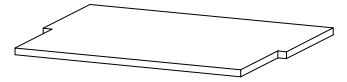
Flex Frame 5 Tier 210cm  
SKU : (23935495) x 2



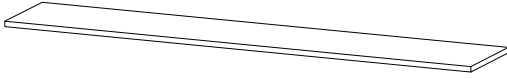
Flex Frame 4 Tier 210cm  
SKU : (23935488) x 2



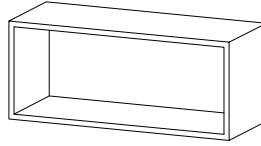
Flex Shelf 86cm  
SKU : (23935044) x 3



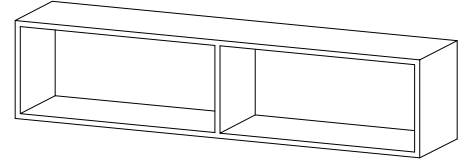
Flex Shelf Laptop Shelf  
SKU : (23935266) x 1



Flex Shelf 230cm  
SKU : (23935129) x 1



Flex Box 86cm  
SKU : (23935501) x1



Flex Box 158cm  
SKU : (23948655) x 1

**CAUTION:**

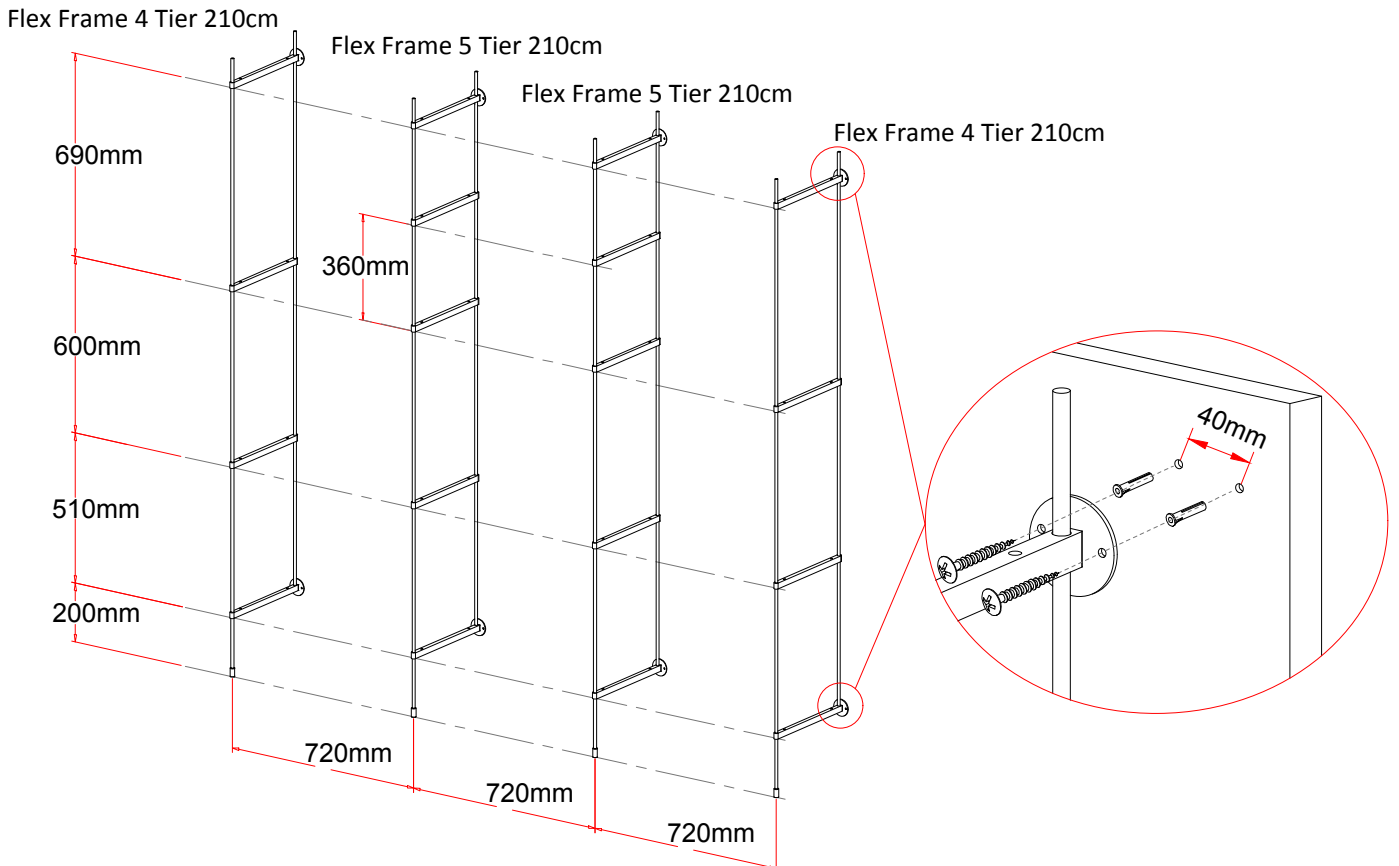
**For your safety when attaching the frames to the wall:**

- Check for any electrical wires or plumbing inside the wall before drilling any holes (if you are unsure please seek professional advice from a qualified tradesman)
- Walls are constructed from different materials eg; Masonry (solid brick) or plaster board lined cavity walls (hollow).

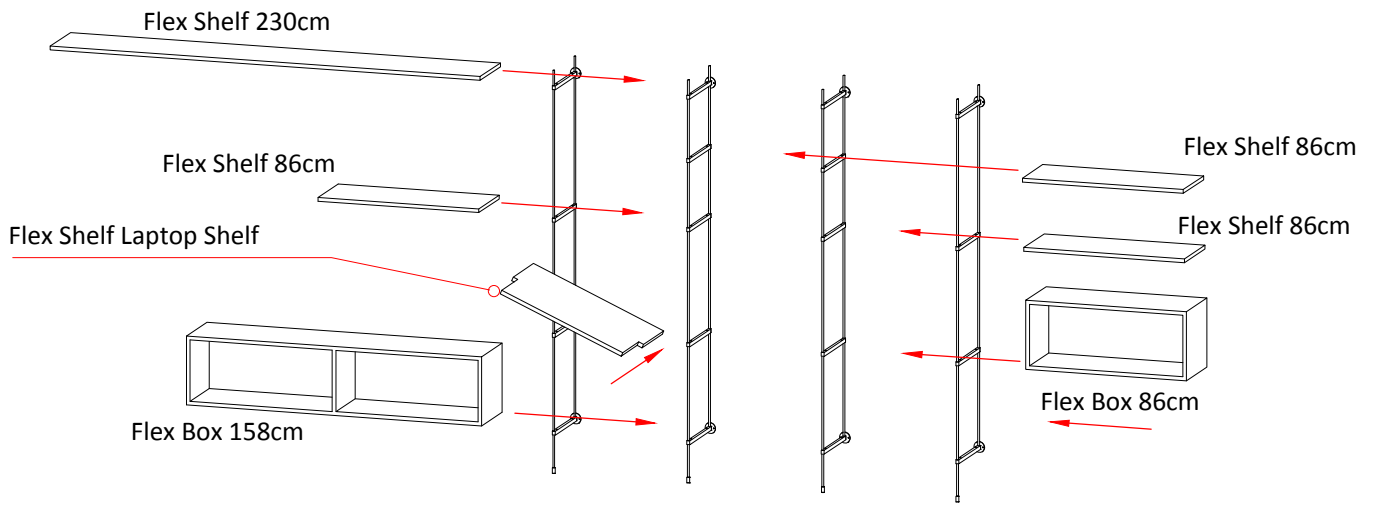
It is important that you use the appropriate wall fixings for your wall type.

**(Your local hardware store will have the necessary drills and fixings and can offer advice if needed.)**

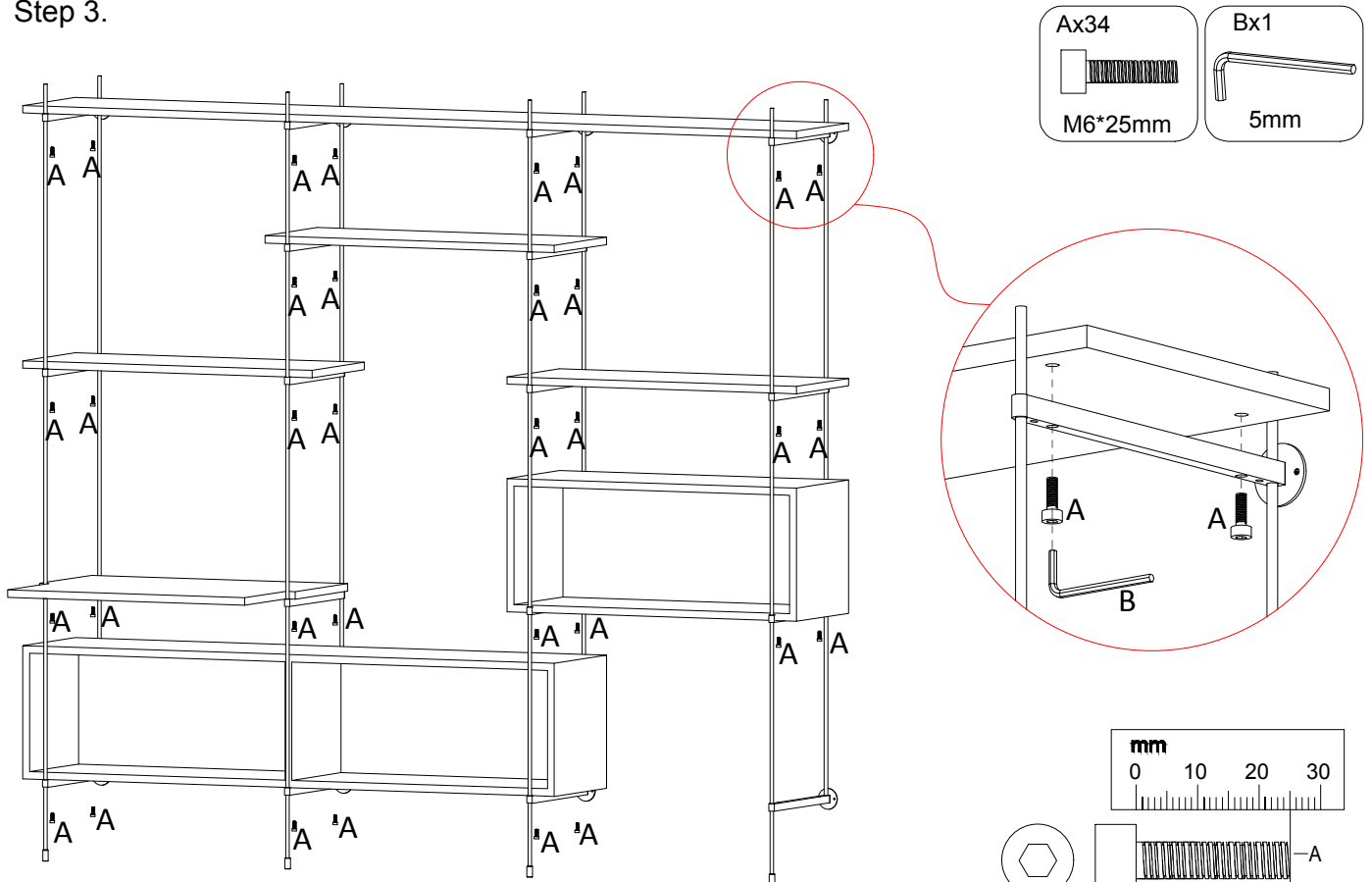
Step 1.



Step 2.



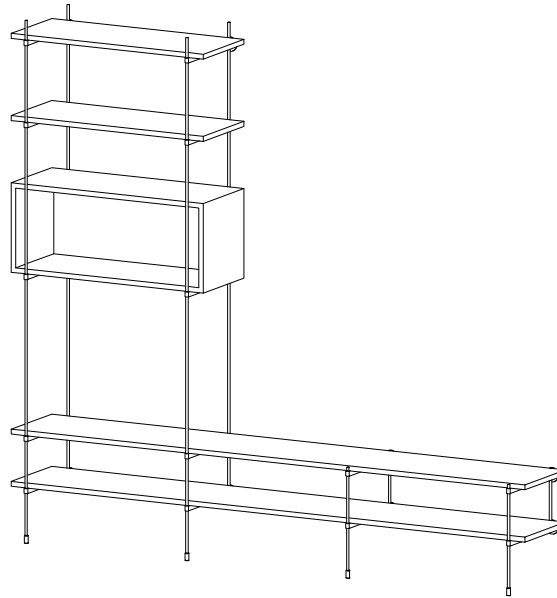
Step 3.



# Flex Shelf Assembly Style 2



This assembly requires two persons.



## Hardware (Supplied)



m6\*25mm  
Part A x 28

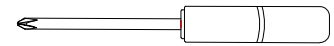


5mm  
Part B x 1



3mm  
Part C x 1

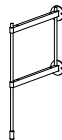
## Hardware (Not Supplied)



## Parts



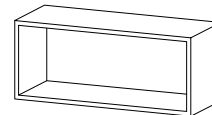
Flex Frame 5 Tier 210cm  
SKU : (23935495) x 2



Flex Frame 2 Tier 44.5cm  
SKU : (23935464) x 2



Flex Shelf 86cm  
SKU : (23935044) x 2



Flex Box 86cm  
SKU : (23935501) x1



Flex Shelf 230cm  
SKU : (23935129) x 1

## **CAUTION:**

### **For your safety when attaching the frames to the wall:**

- Check for any electrical wires or plumbing inside the wall before drilling any holes (if you are unsure please seek professional advice from a qualified tradesman)
- Walls are constructed from different materials eg; Masonry (solid brick) or plaster board lined cavity walls (hollow).

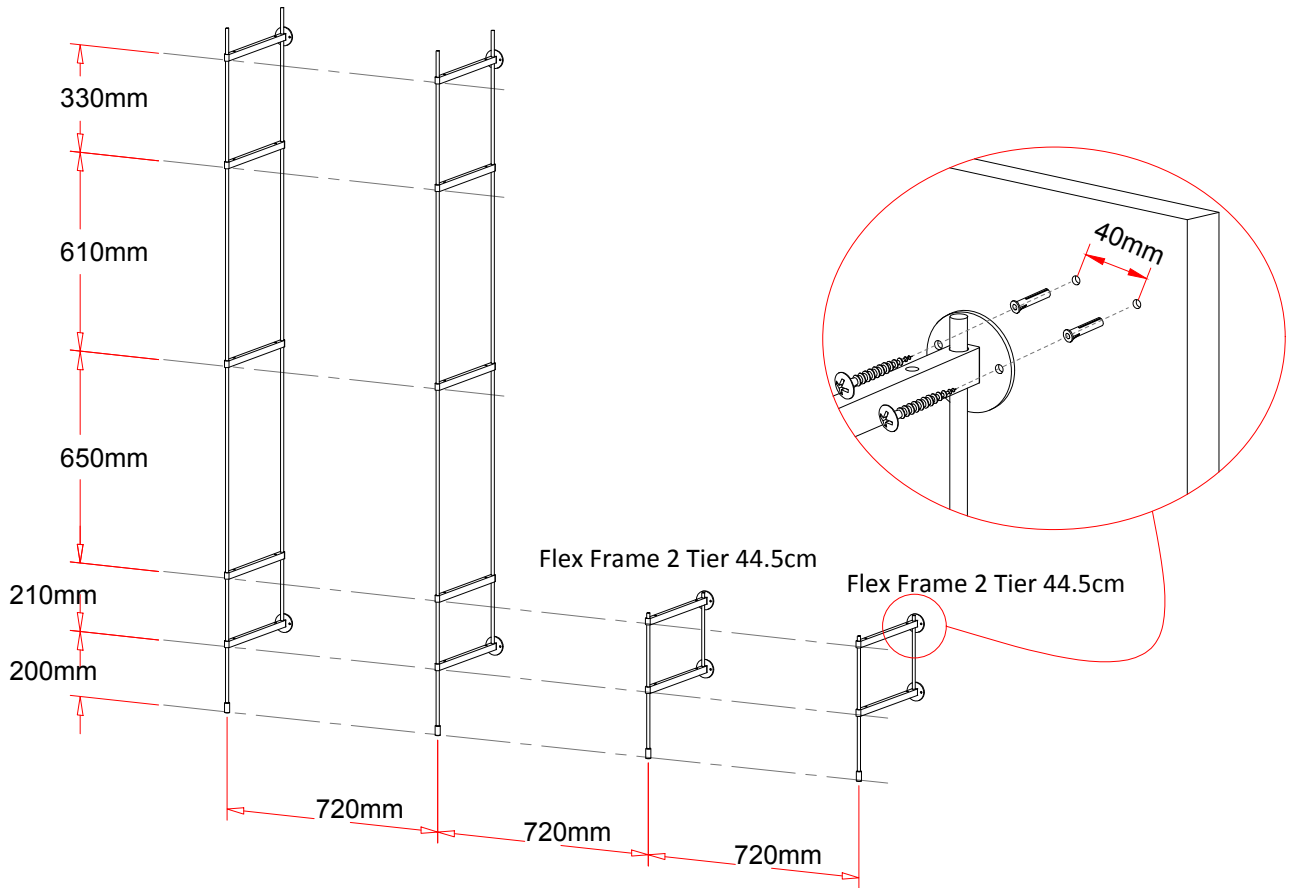
It is important that you use the appropriate wall fixings for your wall type.

**(Your local hardware store will have the necessary drills and fixings and can offer advice if needed.)**

Step 1.

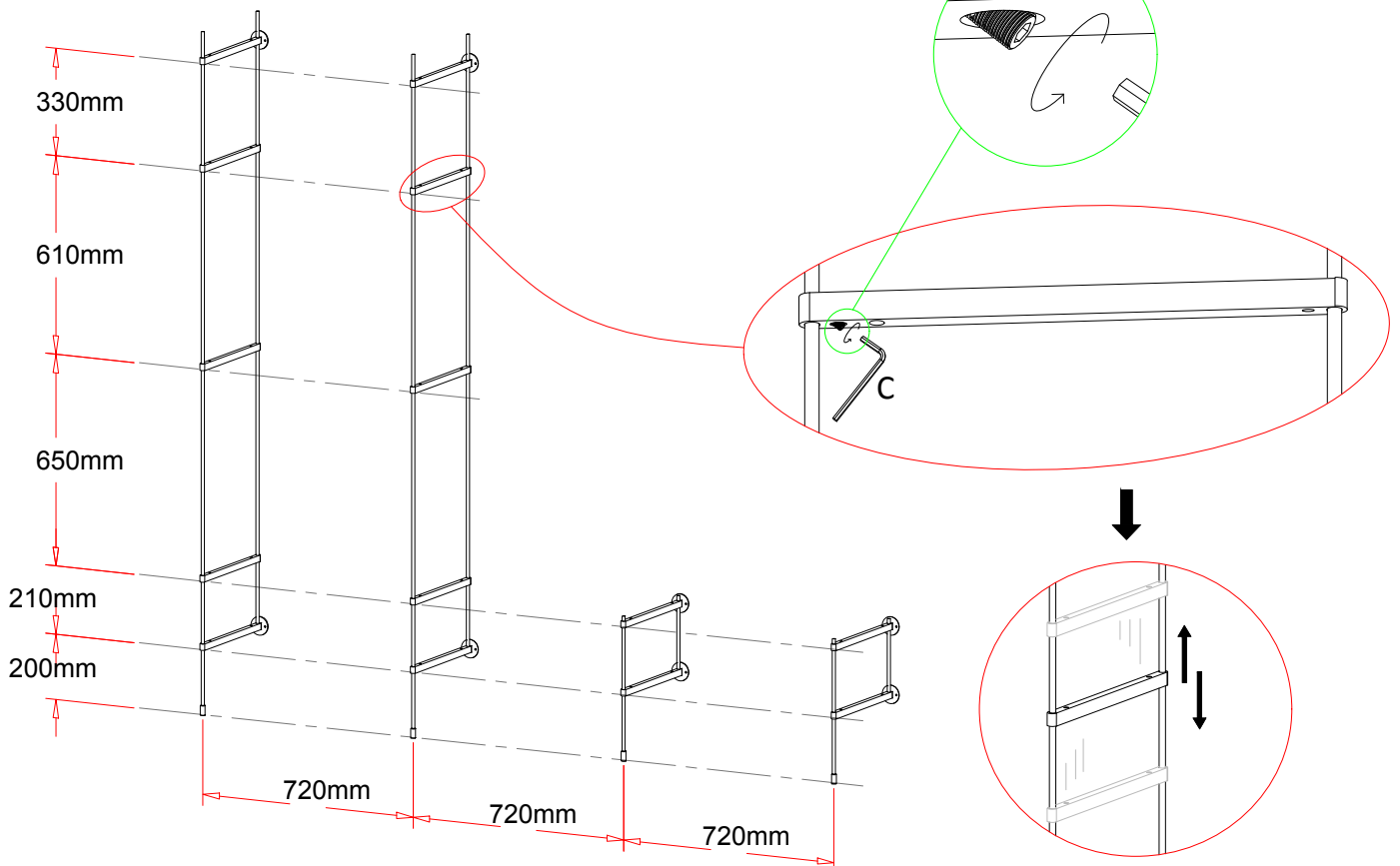
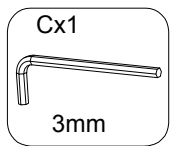
Flex Frame 5 Tier 210cm

Flex Frame 5 Tier 210cm

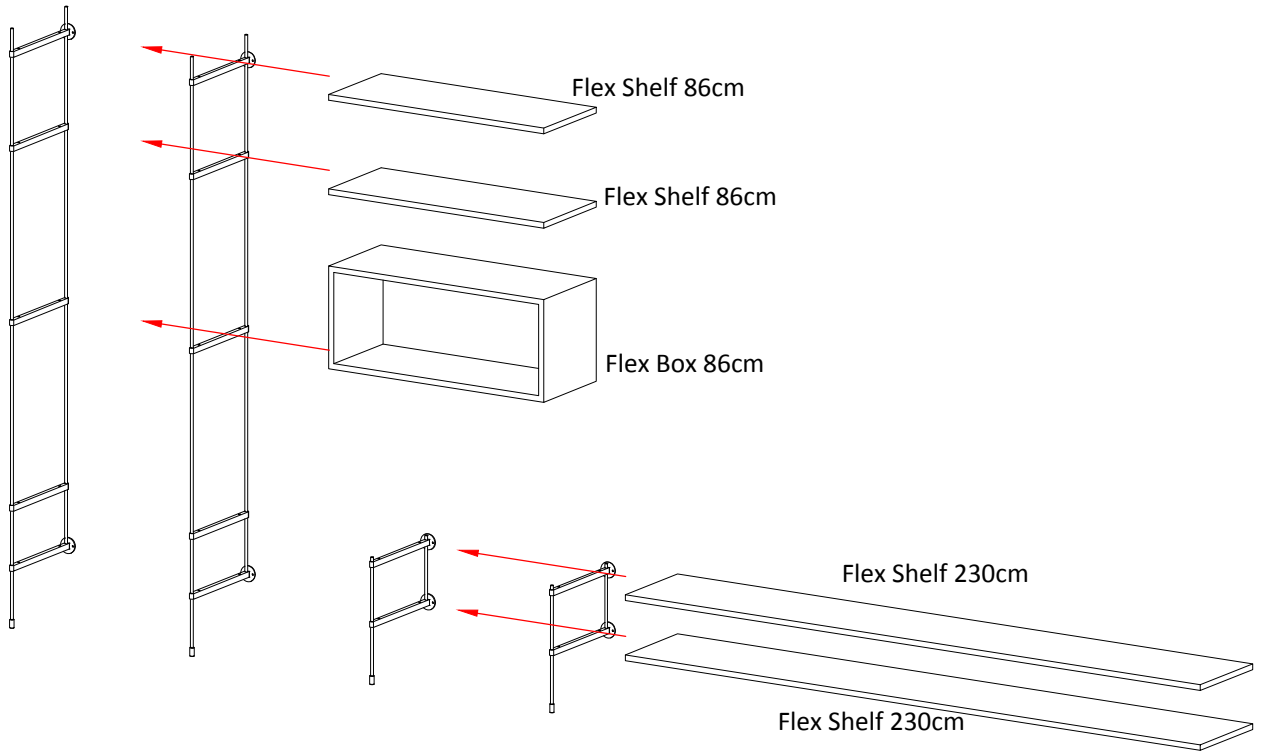


Step 2.

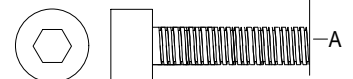
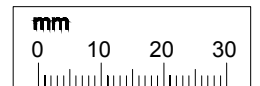
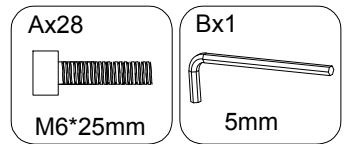
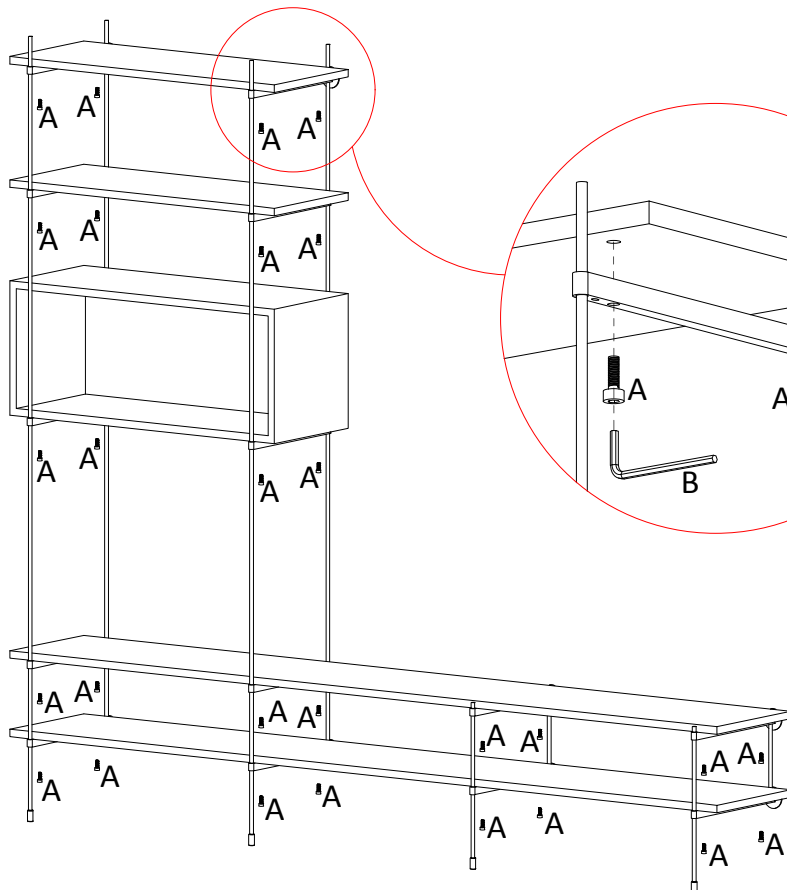
Note : please adjust Flex Frame 5 support bars distance according to below drawing.



Step 3.



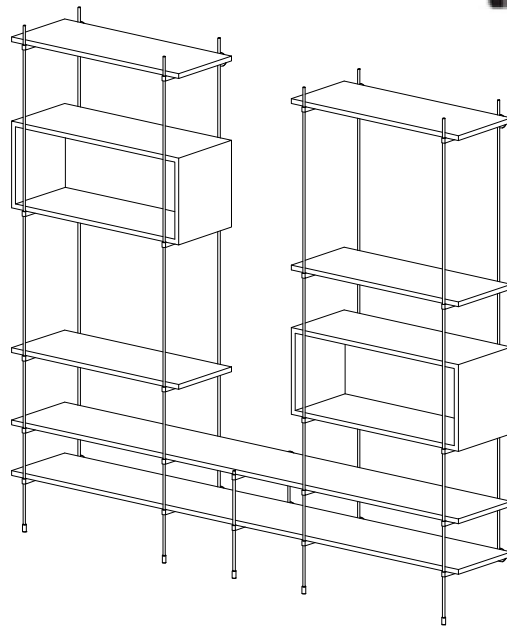
Step 4.



# Flex Shelf Assembly Style 3



This assembly requires two persons.



## Hardware (Supplied)



m6\*25mm  
Part A x 44

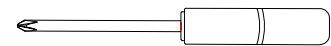


5mm  
Part B x 1



3mm  
Part C x 1

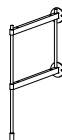
## Hardware (Not Supplied)



## Parts



Flex Frame 5 Tier 210cm  
SKU : (23935495) x 4



Flex Frame 2 Tier 44.5cm  
SKU : (23935464) x 1



Flex Shelf 86cm  
SKU : (23935044) x 4



Flex Box 86cm  
SKU : (23935501) x 2



Flex Shelf 230cm  
SKU : (23935129) x 2

## **CAUTION:**

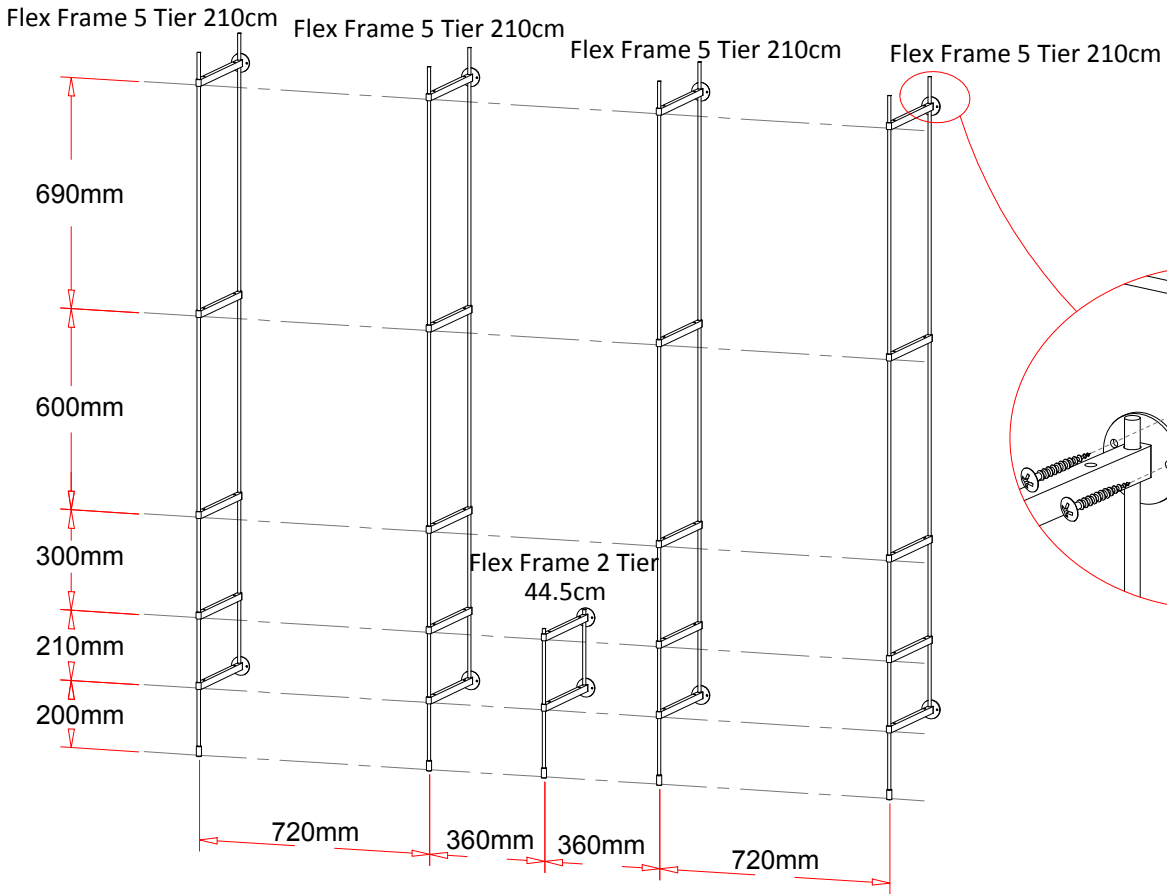
### **For your safety when attaching the frames to the wall:**

- Check for any electrical wires or plumbing inside the wall before drilling any holes (if you are unsure please seek professional advice from a qualified tradesman)
- Walls are constructed from different materials eg; Masonry (solid brick) or plaster board lined cavity walls (hollow).

It is important that you use the appropriate wall fixings for your wall type.

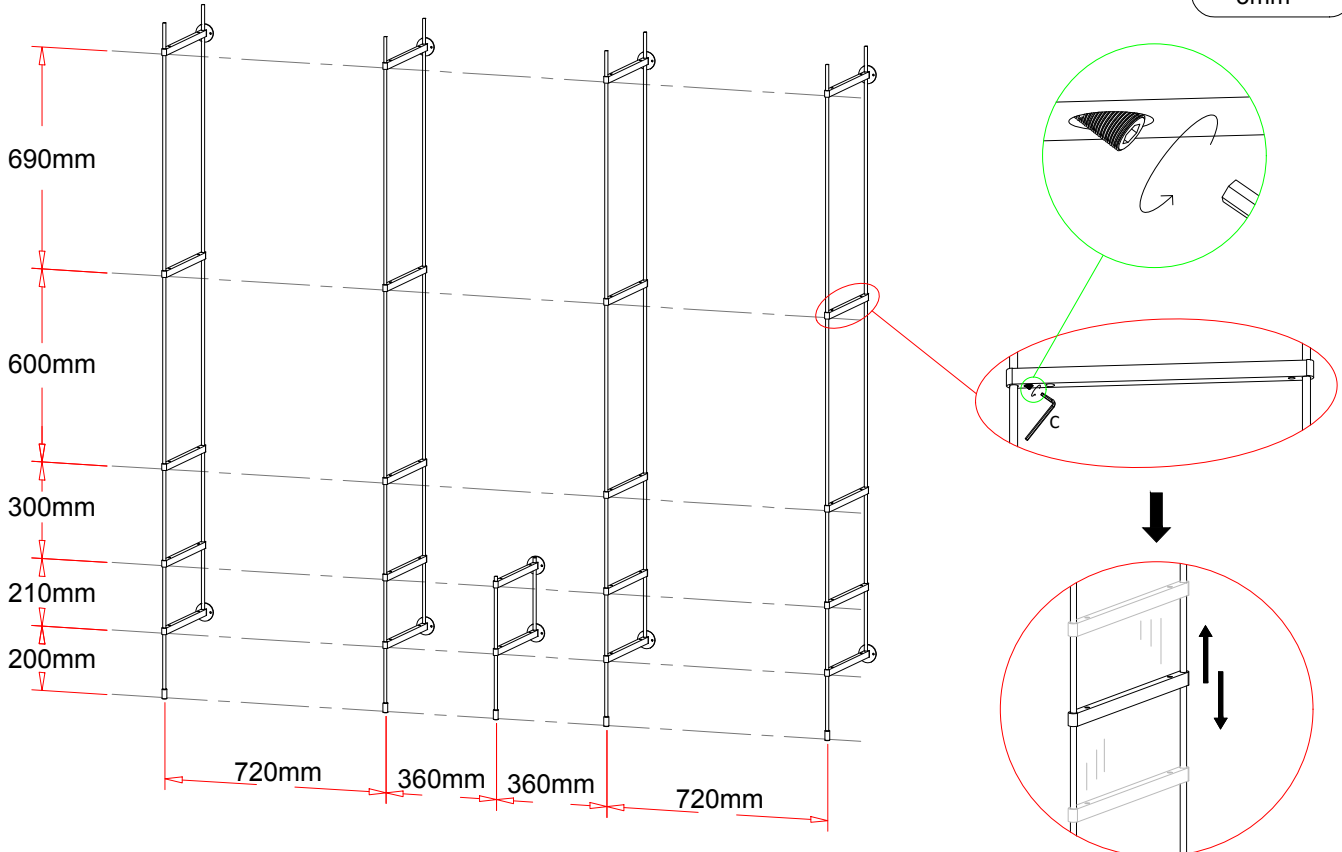
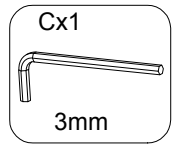
**(Your local hardware store will have the necessary drills and fixings and can offer advice if needed.)**

Step 1.



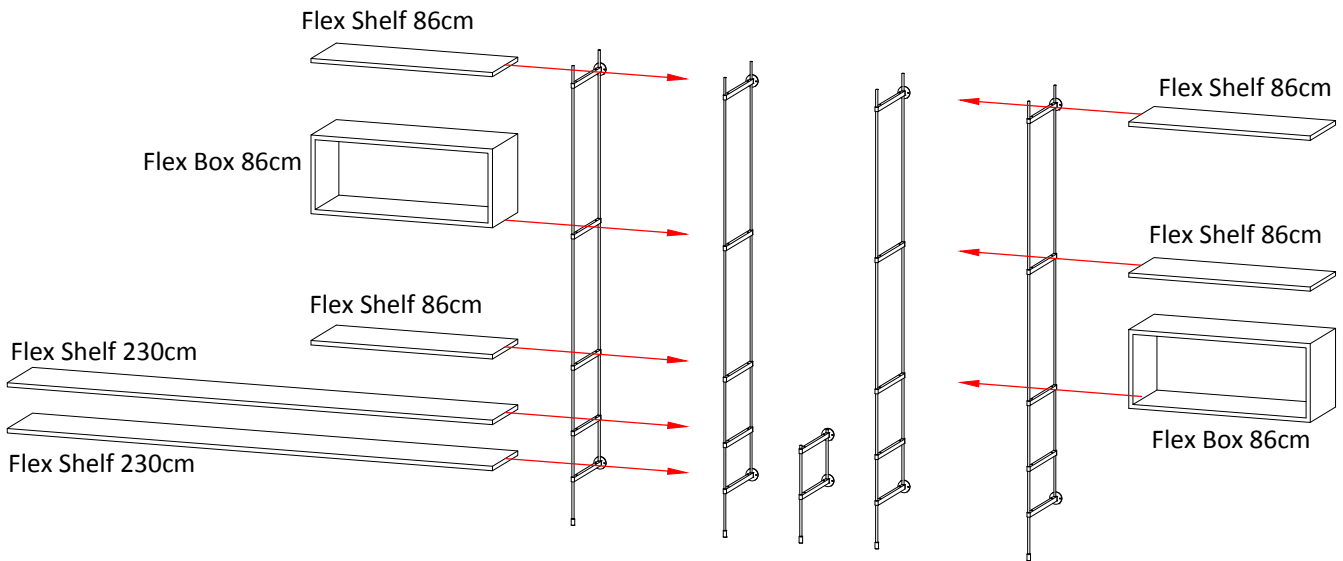
Step 2.

Note : please adjust Flex Frame 5 support bars distance according to below drawing.

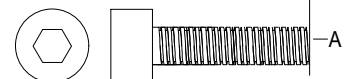
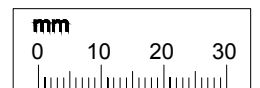
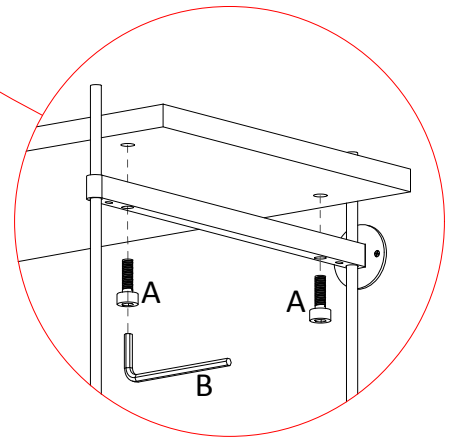
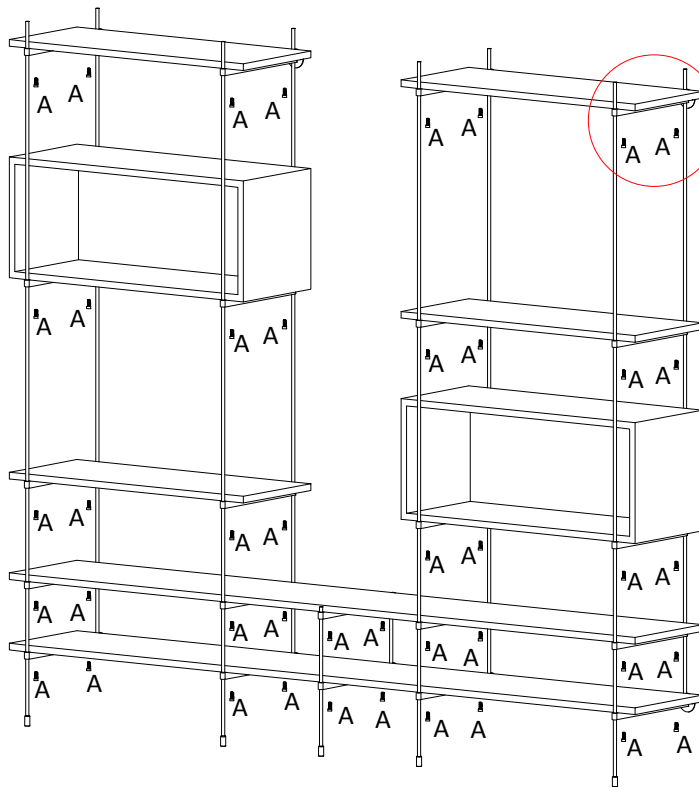
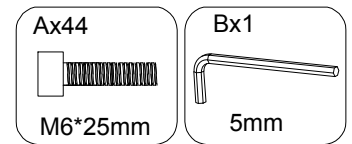




Step 3.



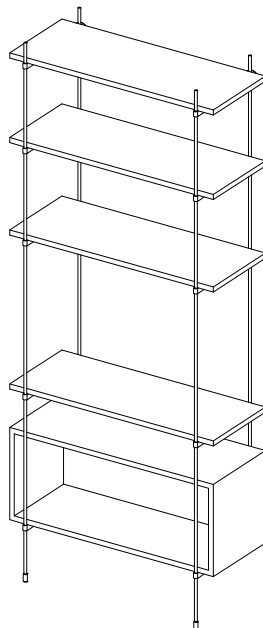
Step 4.



# Flex Shelf Assembly Style 4



This assembly requires two persons.



## Hardware (Supplied)



m6\*25mm  
Part A x 20

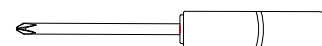


5mm  
Part B x 1



3mm  
Part C x 1

## Hardware (Not Supplied)



## Parts



Flex Frame 5 Tier 210cm  
SKU : (23935495) x 2



Flex Shelf 86cm  
SKU : (23935044) x 4



Flex Box 86cm  
SKU : (23935501) x1

## **CAUTION:**

### **For your safety when attaching the frames to the wall:**

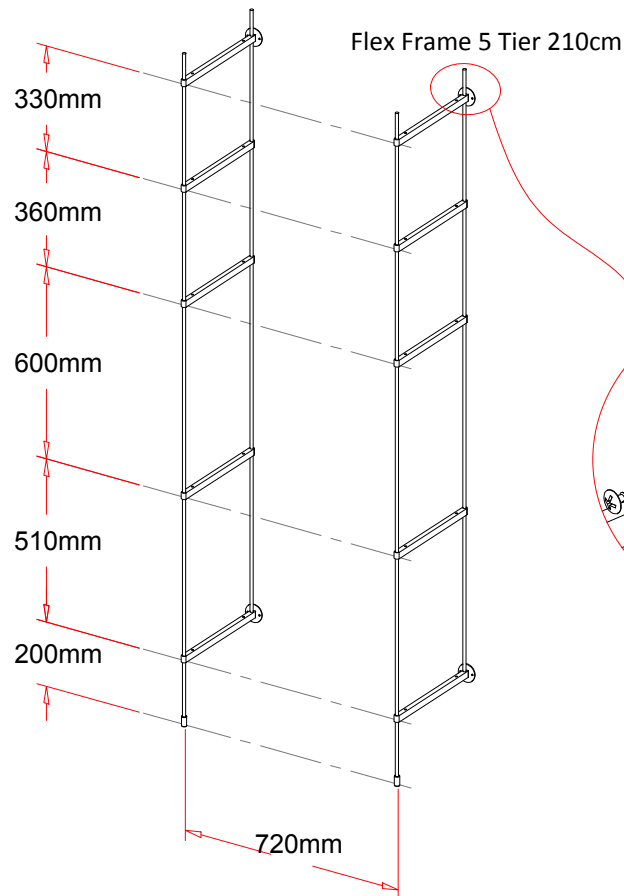
- Check for any electrical wires or plumbing inside the wall before drilling any holes (if you are unsure please seek professional advice from a qualified tradesman)
- Walls are constructed from different materials eg; Masonry (solid brick) or plaster board lined cavity walls (hollow).

It is important that you use the appropriate wall fixings for your wall type.

**(Your local hardware store will have the necessary drills and fixings and can offer advice if needed.)**

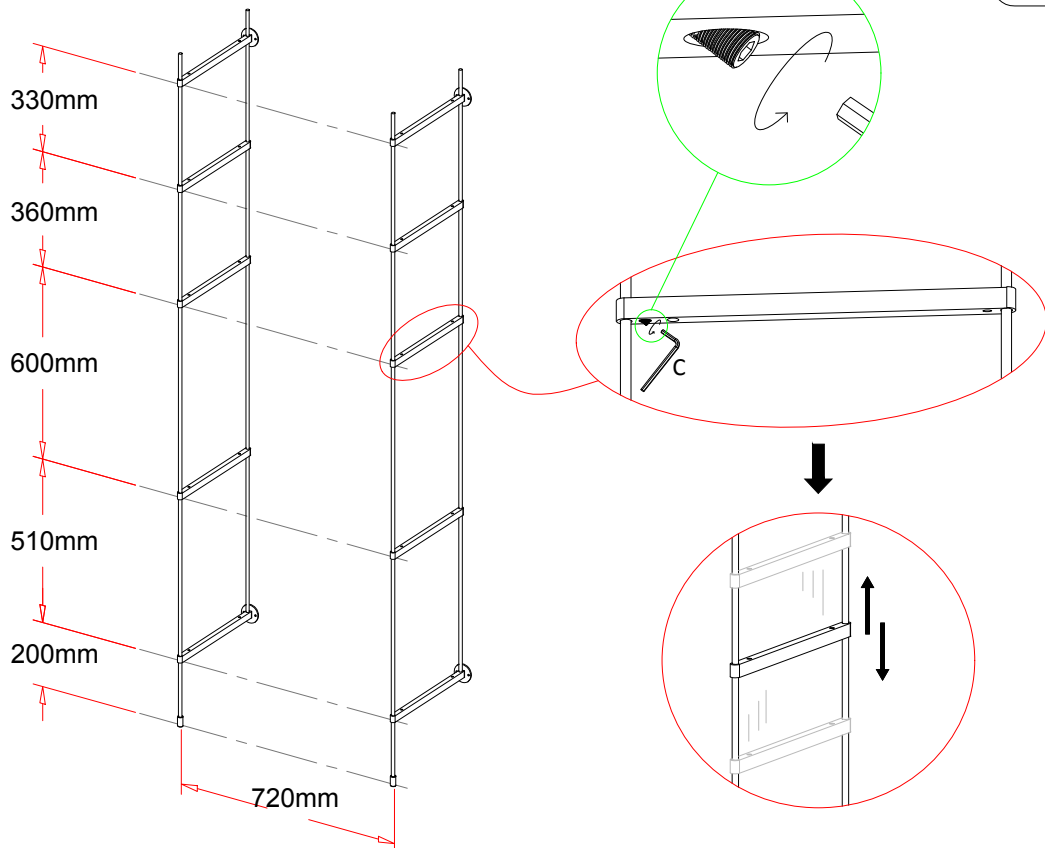
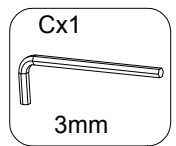
Step 1.

Flex Frame 5 Tier 210cm

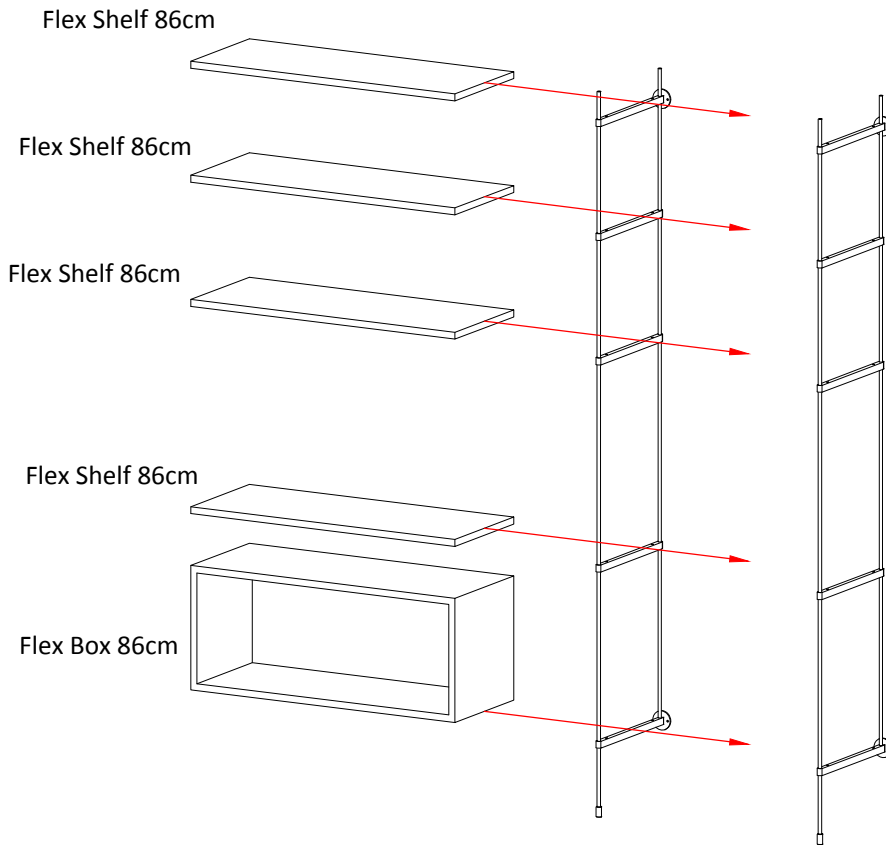


Step 2.

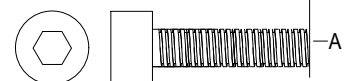
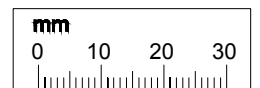
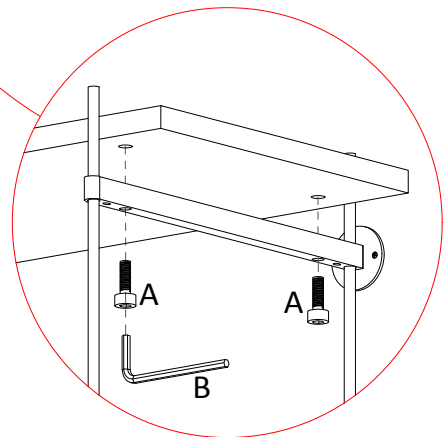
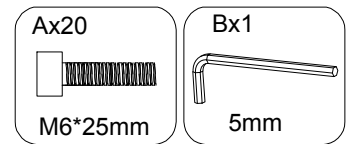
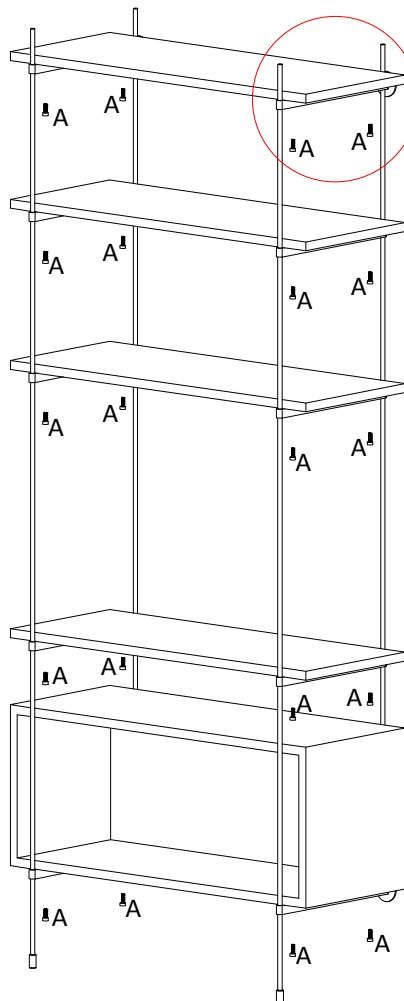
Note : please adjust Flex Frame 5 support bars distance according to below drawing.



Step 3.



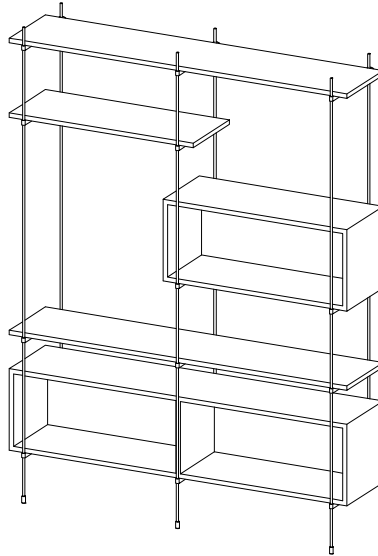
Step 4.



# Flex Shelf Assembly Style 5



This assembly requires two persons.



## Hardware (Supplied)



m6\*25mm  
Part A x 26

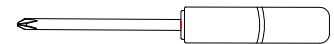


5mm  
Part B x 1



3mm  
Part C x 1

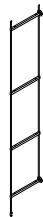
## Hardware (Not Supplied)



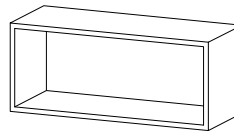
## Parts



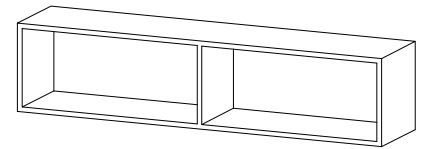
Flex Frame 5 Tier 210cm  
SKU : (23935495) x 1



Flex Frame 4 Tier 210cm  
SKU : (23935488) x 2



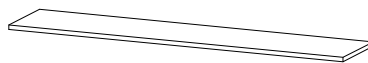
Flex Box 86cm  
SKU : (23935501) x1



Flex Box 158cm  
SKU : (23948655) x 1



Flex Shelf 86cm  
SKU : (23935044) x 1



Flex Shelf 158cm  
SKU : (23948655) x 2

## **CAUTION:**

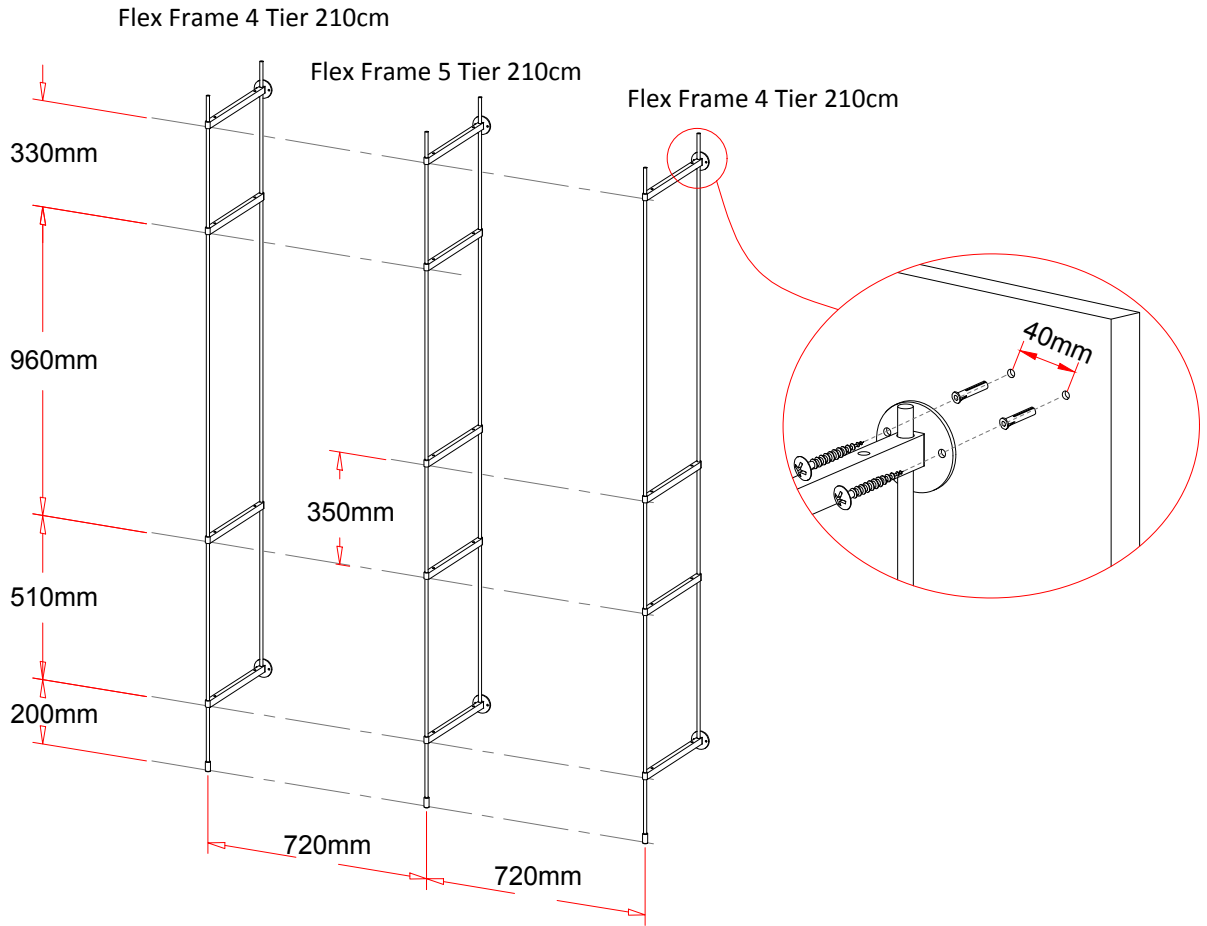
**For your safety when attaching the frames to the wall:**

- Check for any electrical wires or plumbing inside the wall before drilling any holes (if you are unsure please seek professional advice from a qualified tradesman)
- Walls are constructed from different materials eg; Masonry (solid brick) or plaster board lined cavity walls (hollow).

It is important that you use the appropriate wall fixings for your wall type.

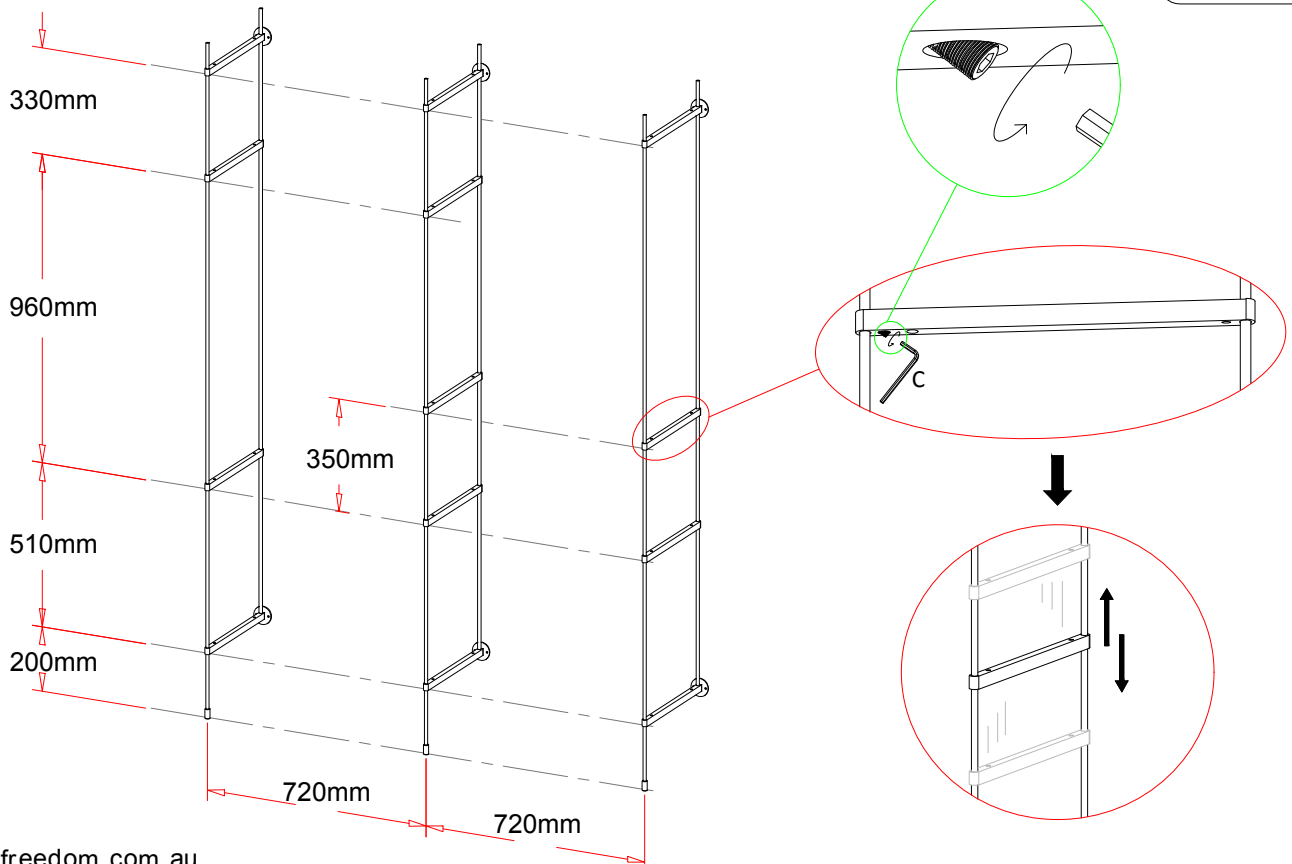
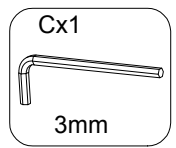
**(Your local hardware store will have the necessary drills and fixings and can offer advice if needed.)**

Step 1.

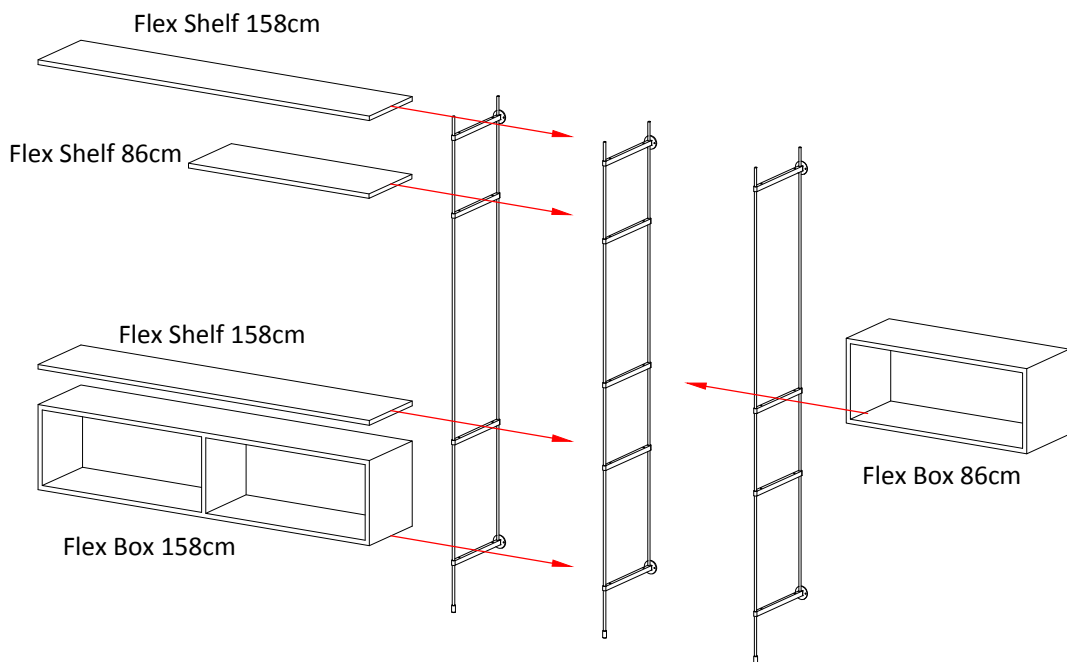


Step 2.

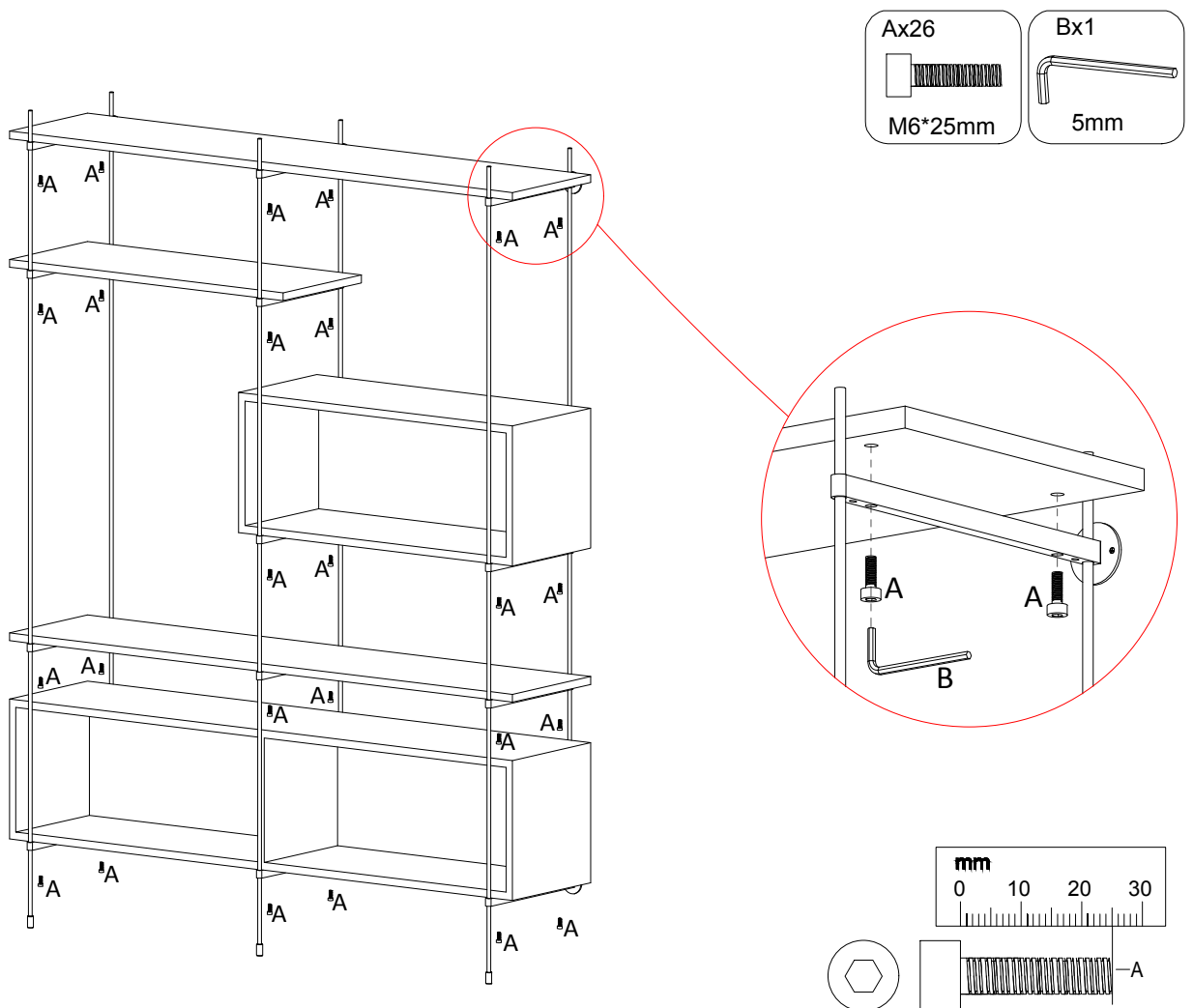
Note : please adjust Flex Frame 4 / and frame 5 support bars distance according to below drawing.



Step 3.



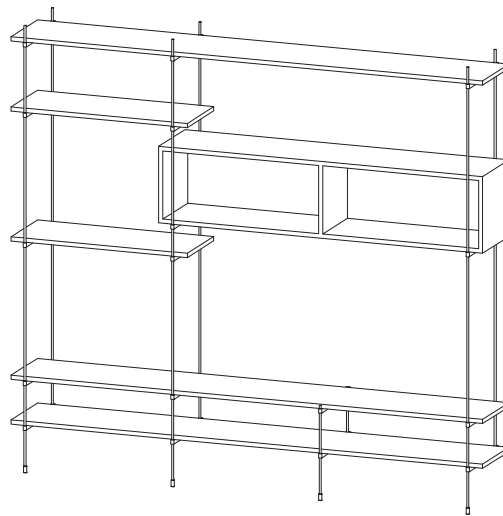
Step 4.



# Flex Shelf Assembly Style 6



This assembly requires two persons.



## Hardware (Supplied)



m6\*25mm  
Part A x 34



5mm  
Part B x 1

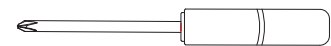


3mm  
Part C x 1

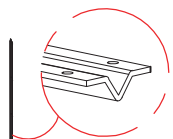


4mm  
Part D x 20

## Hardware (Not Supplied)



## Parts



Reinforcing Iron  
x 2



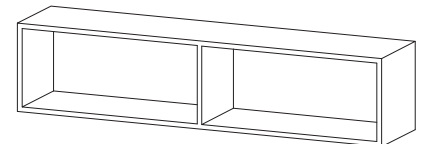
Flex Frame 6 Tier 210cm  
SKU : (24104838) x 1



Flex Frame 5 Tier 210cm  
SKU : (23935495) x 1



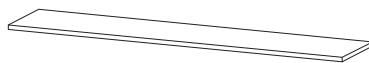
Flex Frame 4 Tier 210cm  
SKU : (23935488) x 1



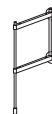
Flex Box 158cm  
SKU : (23948655) x 1



Flex Shelf 86cm  
SKU : (23935044) x 2



Flex Shelf 230cm  
SKU : (23935129) x 3



Flex Frame 2 Tier 44.5cm  
SKU : (23935464) x 1

## **CAUTION:**

**For your safety when attaching the frames to the wall:**

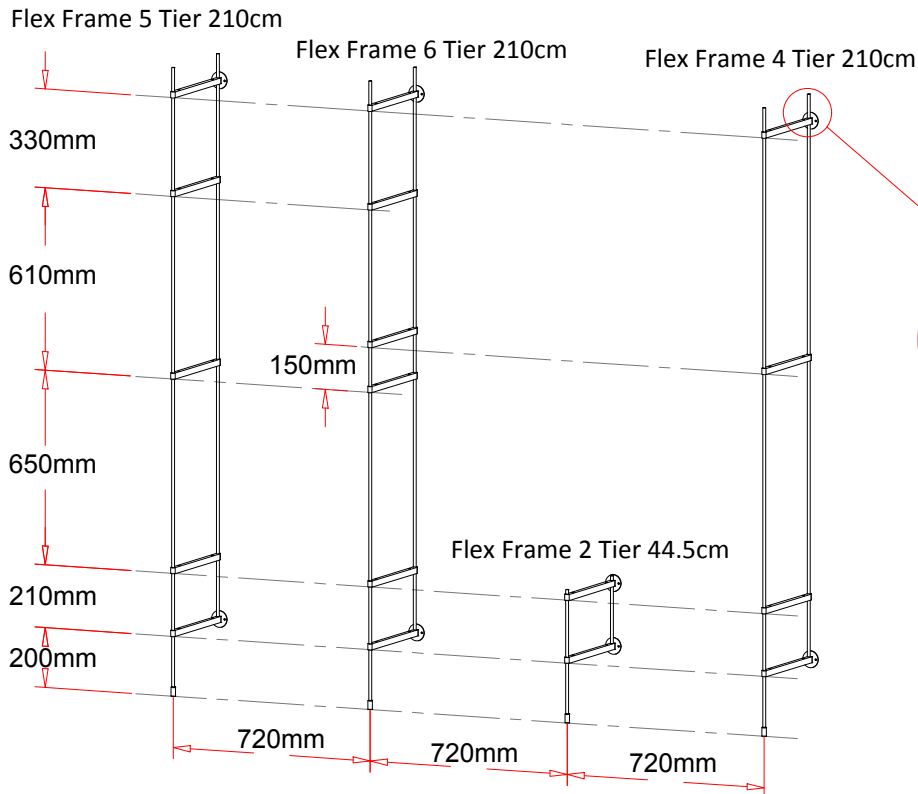
- Check for any electrical wires or plumbing inside the wall before drilling any holes (if you are unsure please seek professional advice from a qualified tradesman)
- Walls are constructed from different materials eg; Masonry (solid brick) or plaster board lined cavity walls (hollow).

It is important that you use the appropriate wall fixings for your wall type.

**(Your local hardware store will have the necessary drills and fixings and can offer advice if needed.)**

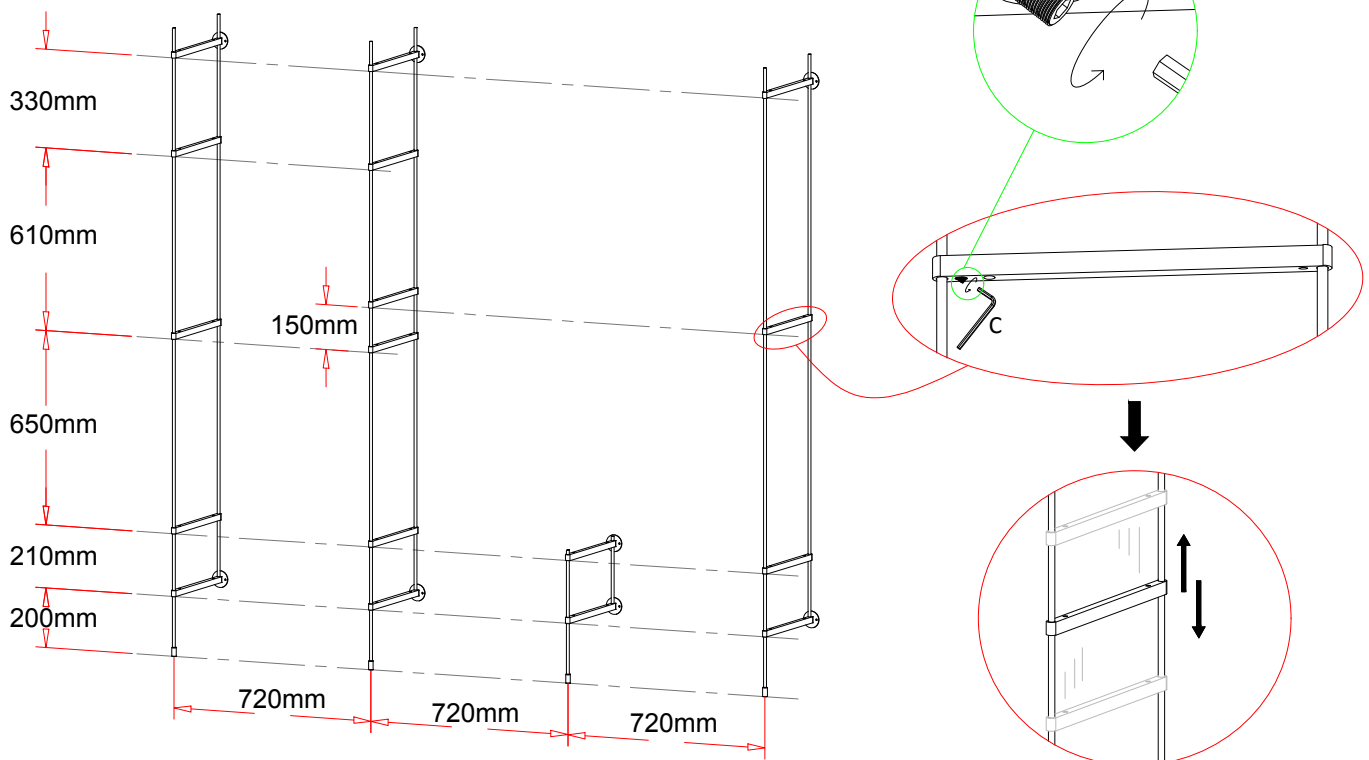
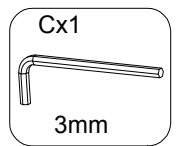


Step 1.

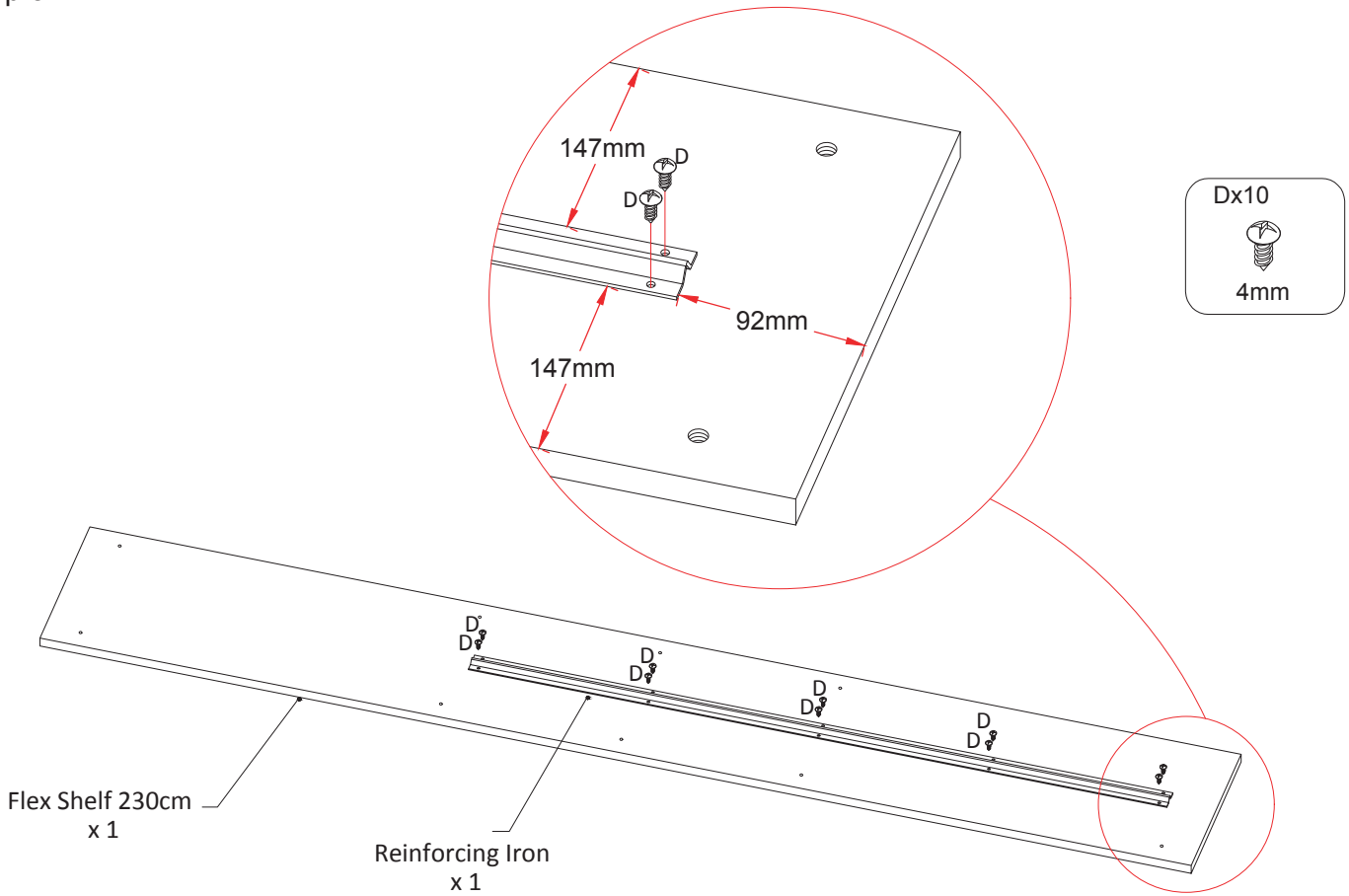


Step 2.

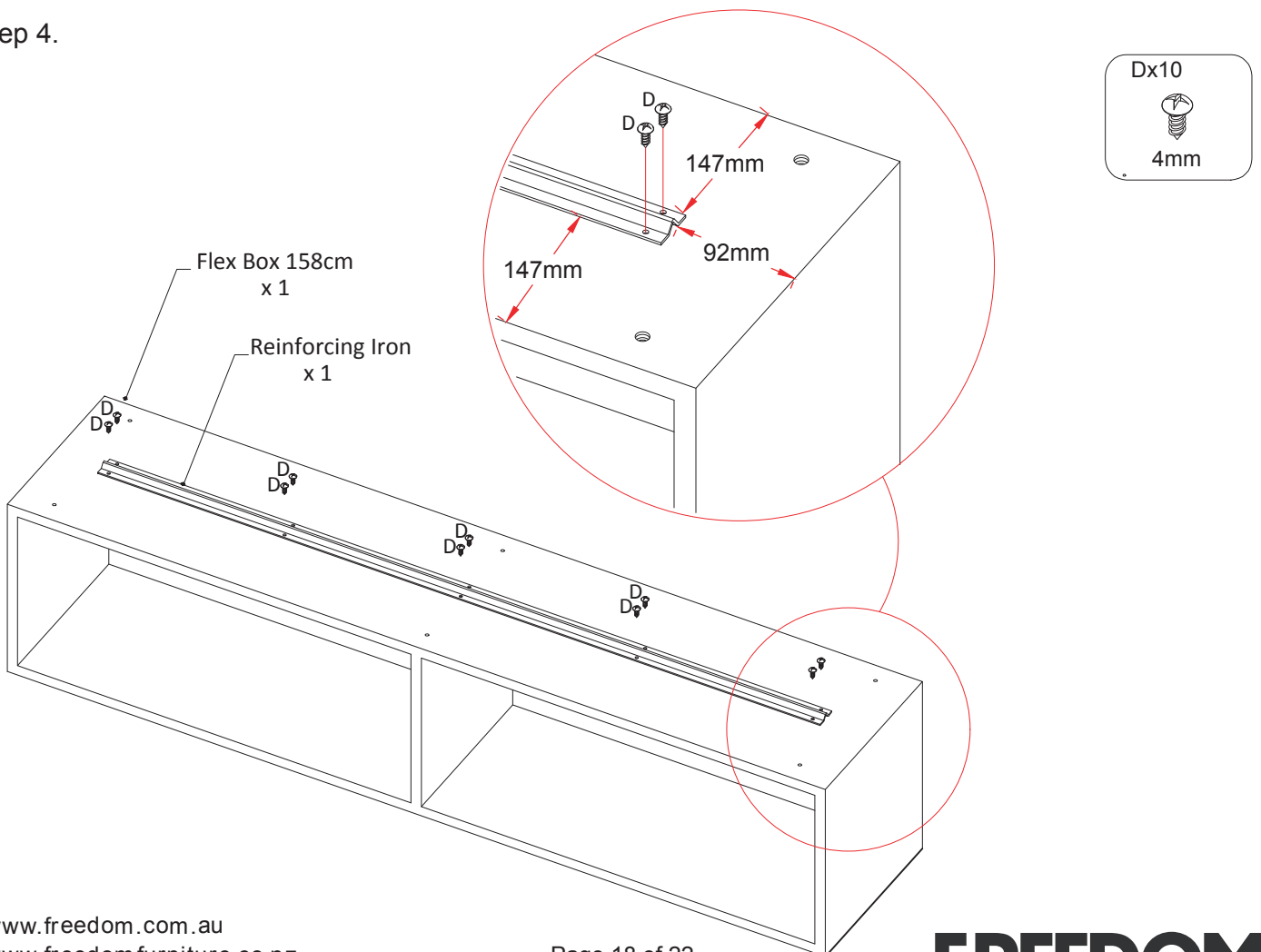
Note : please adjust Flex Frame 4 / and frame 5 support bars distance according to below drawing.



Step 3.



Step 4.

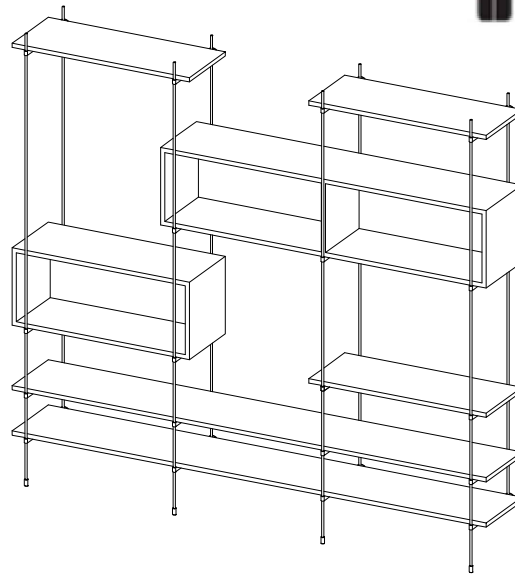




# Flex Shelf Assembly Style 7



This assembly requires two persons.



## Hardware (Supplied)



m6\*25mm  
Part A x 38

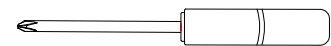


5mm  
Part B x 1



3mm  
Part C x 1

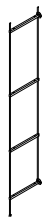
## Hardware (Not Supplied)



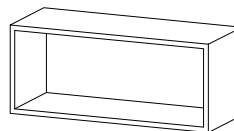
## Parts



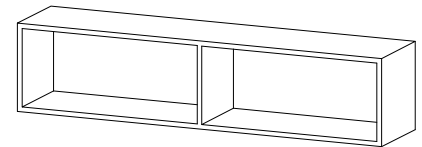
Flex Frame 5 Tier 210cm  
SKU : (23935495) x 3



Flex Frame 4 Tier 210cm  
SKU : (23935488) x 1



Flex Box 86cm  
SKU : (23935501) x1



Flex Box 158cm  
SKU : (23948655) x 1



Flex Shelf 86cm  
SKU : (23935044) x 3



Flex Shelf 230cm  
SKU : (23935129) x 2

## **CAUTION:**

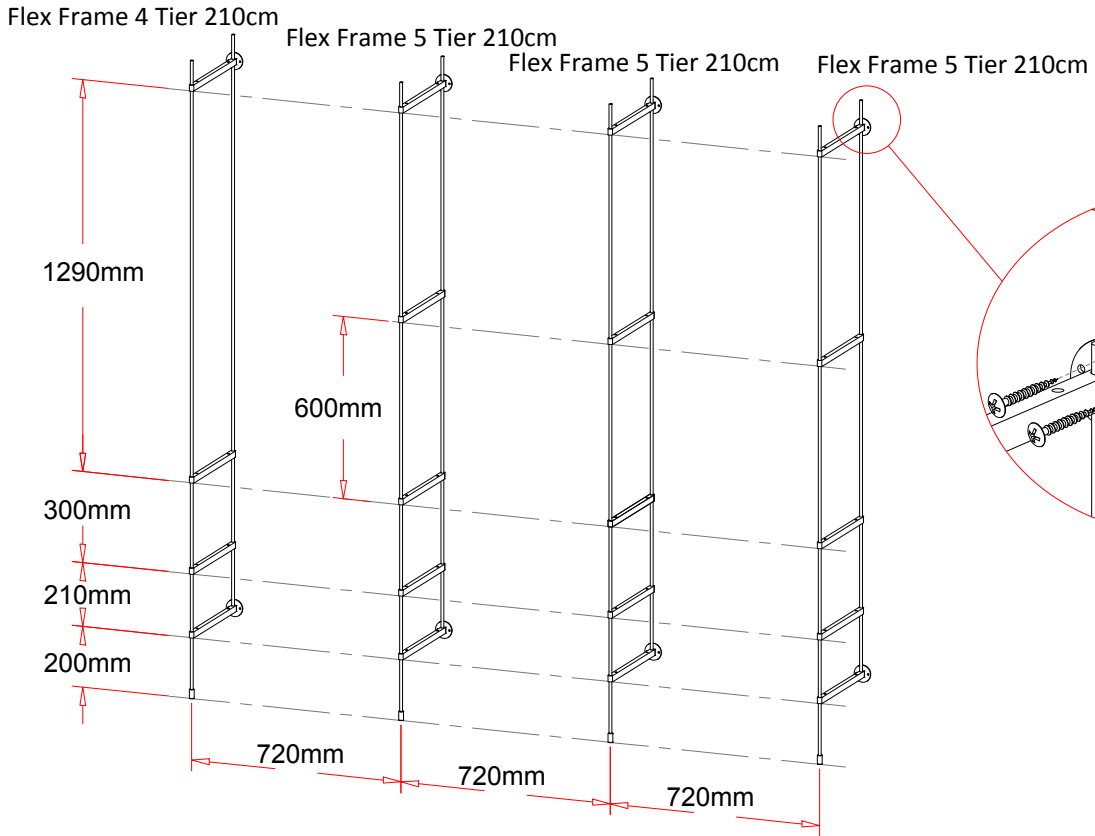
**For your safety when attaching the frames to the wall:**

- Check for any electrical wires or plumbing inside the wall before drilling any holes (if you are unsure please seek professional advice from a qualified tradesman)
- Walls are constructed from different materials eg; Masonry (solid brick) or plaster board lined cavity walls (hollow).

It is important that you use the appropriate wall fixings for your wall type.

**(Your local hardware store will have the necessary drills and fixings and can offer advice if needed.)**

Step 1.



Step 2.

Note : please adjust Flex Frame 4 / and frame 5 support bars distance according to below drawing.

