

Capsule Bedside Table

24191876

Thank you for purchasing the **Capsule Bedside Table**. Before you begin to assemble your new piece of furniture please check to ensure that all hardware and parts have been supplied. This page lists all contents included in the carton (S).

Follow instructions closely as deviation from them may present a possible safety risk and may void your warranty.

It is recommended that assembly is done on a soft surface such as carpet to avoid any damage.

If you experience any problems with your new purchase, please phone Freedom Customer service (FCS) on 1300 135 588 (Australia) or 0800 469 327 (New Zealand).

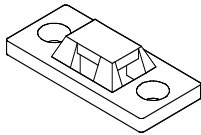
Care Information

Periodically check and re-tighten any fasteners. Dust weekly using a soft clean cloth. Do not use harsh abrasives, chemicals or polishes containing silicon as they can damage this finish. Avoid direct sunlight as this causes the timber to change color.

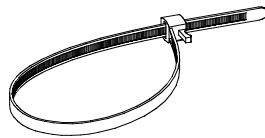
It is important to remove moist substance immediately.

Note: Thank you for purchasing our **Capsule Bedside Table**. This item has a distressed appearance which means that cracks, chips and splitting is part of the charm of the piece. No two pieces will be exactly the same.

Anti Tip Kit Supplied



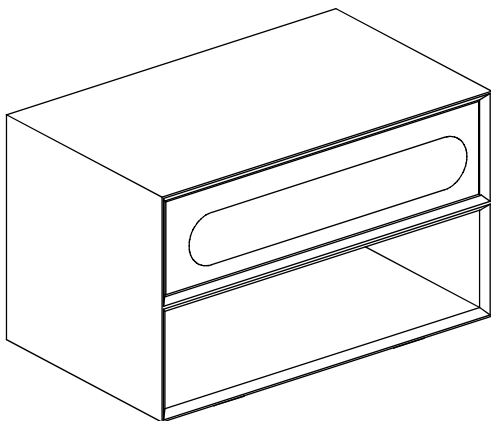
(A) Wall Clip, X2



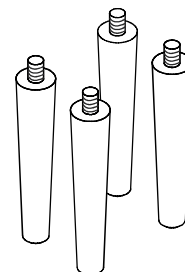
(B) Zip Tie X2

Parts

(C) Top Cabinet, X1



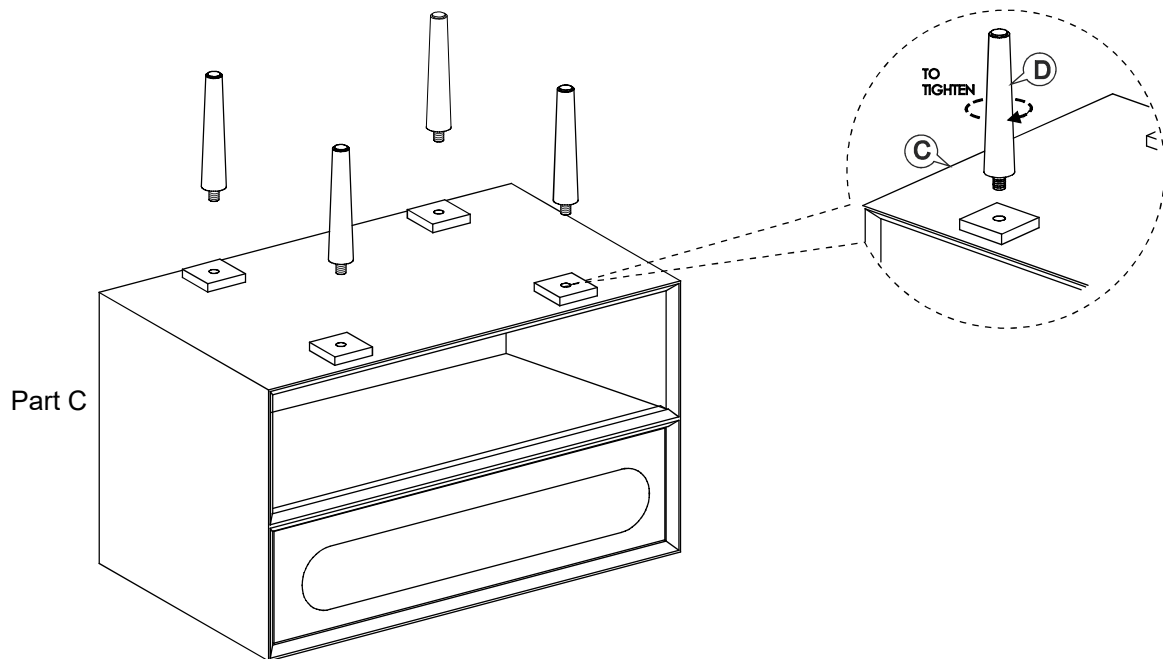
(D) Metal Leg, X4



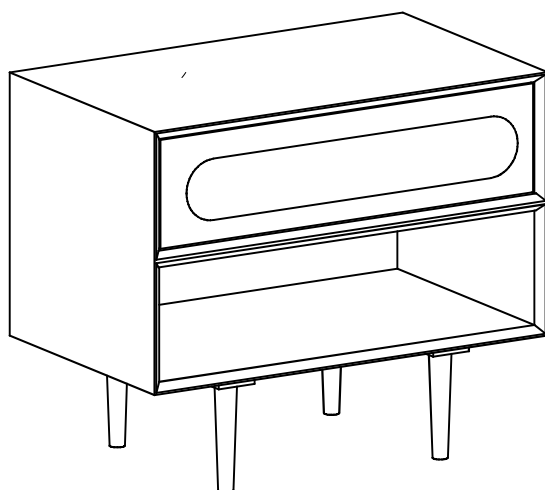
Capsule Bedside Table

24191876

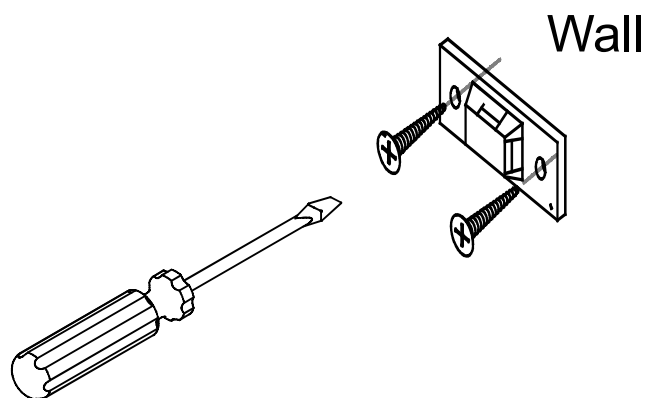
Step 1.



Step 2.

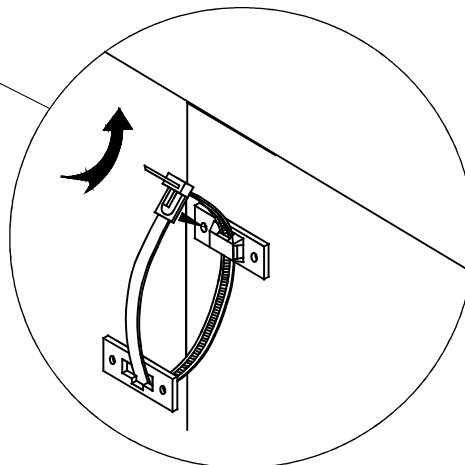
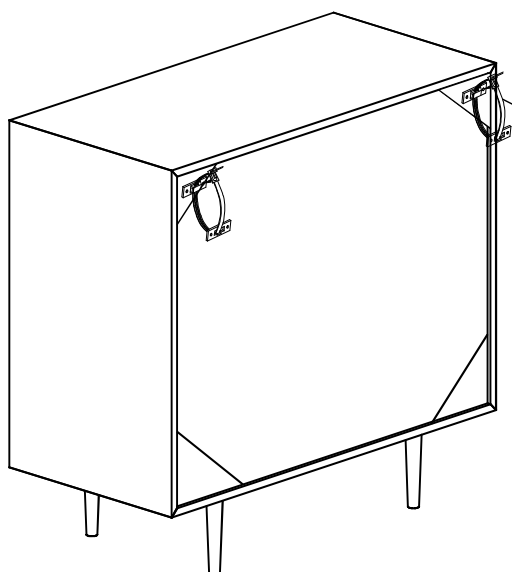


Step 3. Clip Fixing on Wall



Capsule Bedside Table

24191876



FINAL Step: Attach anti tilt strap or bracket to wall

WARNING:

To prevent your furniture from tilting forward and possibly causing property damage or personal injury it is recommended that you

Securely attach the anti-tilt straps or brackets provided to your wall using appropriate fixings

IMPORTANT:

- DO NOT place toys or other child appealing items on top of this furniture
- AVOID fully opening all drawers at the same time
- DO NOT ALLOW Small children to climb onto Drawers, shelves or to swing from open doors

CAUTION:

For your safety when attaching the anti-tilt fixings;

- Check for any electrical wires or plumbing inside the wall before drilling any holes if you are unsure please seek professional advice from a qualified tradesman
- Walls are constructed from different materials eg; Masonry solid brick or plaster board lined cavity walls hollow .

It is important that you use the appropriate wall fixings for your wall type.

Your local hardware store will have the necessary drills and fixings and can offer advice if needed

