

Bayswater Dresser 7 Drawer MKII White

24192446

Thank you for purchasing the Bayswater Dresser 7 Drawer MKII White. Before you begin to assemble your new piece of furniture, please check to ensure that all hardware and parts have been supplied. This page lists all contents included in the carton(s).

Follow instructions closely as deviation from them may present a possible safety risk and may void your warranty.

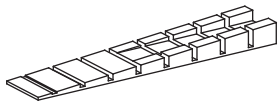
It is recommended that assembly is done on a soft surface such as carpet to avoid any damage.

If you experience any problems with your new purchase, please contact Customer Service via the website www.freedom.com.au or www.freedomfurniture.co.nz

Care Information

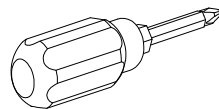
- Use tablecloths, table runners and coasters to help protect surfaces from scratching.
- Dust once a week using a soft cloth or similar duster.
- Only use freedom recommended care products as many supermarket polishes and waxes contain high levels of silicon and petroleum distillate which can damage the surface.
- Polish your furniture every 3 to 6 months, making sure the surface is free from dust before you start.
- Avoid placing hot or wet items directly on the surface as they can leave marks which are difficult to remove.
- Avoid direct sunlight, as this will cause colour change. If the furniture is in direct sunlight, move items like vases around to avoid spotting.
- Avoid applying too much polish as this will build up and need to be removed with a wood- cleaning product

Hardware (Supplied)

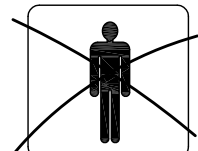


101 x 20 x 8

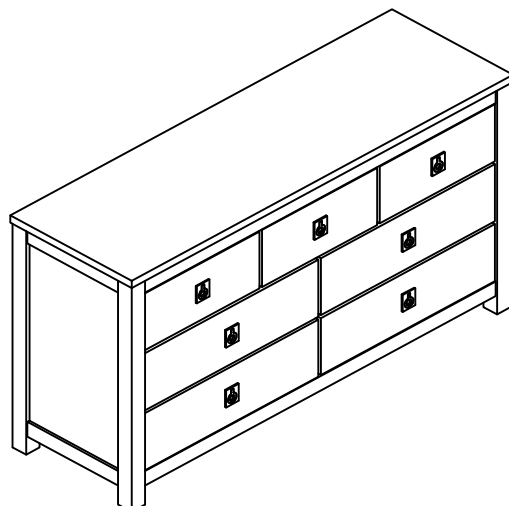
(A) x 2



Tool (Not Supplied)



Parts



Bayswater Dresser 7 Drawer MKII White

24192446

FINAL Step: Attach anti tilt strap or bracket to wall

WARNING :

To prevent your furniture from tilting forward and possibly causing property damage or personal injury it is recommended that you **Securely attach the anti-tilt straps or brackets provided to your wall using appropriate fixings.**

IMPORTANT:

DO NOT place toys or other child appealing items on top of this furniture

AVOID fully opening all drawers at the same time

DO NOT ALLOW small children to climb onto Drawers, shelves or to swing from open doors

CAUTION:

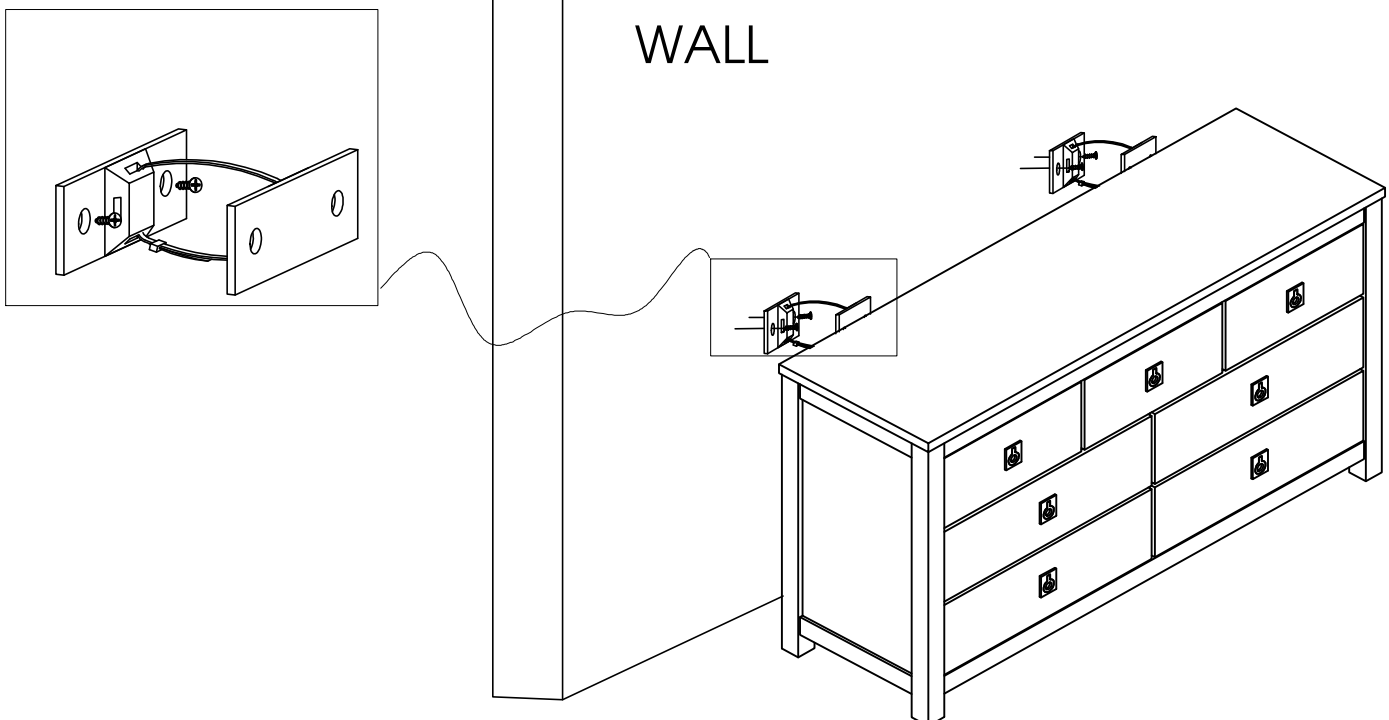
For your safety when attaching the anti-tilt fixings;

- Check for any electrical wires or plumbing inside the wall before drilling any holes (if you are unsure please seek professional advice from qualified tradesman.)
- Wall are constructed from different materials eg: Masonry (solid brick) or plaster board lined cavity walls (hollow).

It is important that you use the appropriate wall fixings for your wall type.

(Your local hardware store will have the necessary drills and fixings and can offer advice if needed)

Step 1:



Step 2:

Using plastic wedge as below if the product is not stable.

