

# NEIGHBOURHOOD COUNTER STOOL

24193986/24200134

Thank you for purchasing the Neighbourhood Counter Stool. Before you begin to assemble your new piece of furniture, please check to ensure that all hardware and parts have been supplied. This page lists all contents included in the carton(s).

Follow instructions closely as deviation from them may present a possible safety risk and may void your warranty.

It is recommended that assembly is done on a soft surface such as carpet to avoid any damage.

If you experience any problems with your new purchase, please phone Freedom Customer Service (FCS) on 1300 135 588 (Australia) or 0800 469 327 (New Zealand).

## Care Information

### DO

Vacuum regularly with a soft upholstery attachment. Dirt combined with body moisture can produce a grime discolouration to the fabric. Vacuuming will also remove grit that can also wear away the fabric. When you can, rotate the cushions to even out the wear.

Use arm caps to help the fabric last longer.

Follow the upholstery care instructions label attached to the sofa.

Use a professional dry cleaning service at least once a year to keep the fabric looking good. Leave any removable covers on during cleaning to minimise shrinking.

Temporary pilling can happen with some fabrics. This isn't considered a fault and can be removed using a de-pilling machine.

### DON'T

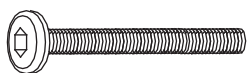
Don't place the fabric in direct sunlight or near heaters as they can fade and damage the fabric. Use curtains and blinds to protect your furniture from direct sunlight through windows.

Don't pull loose threads, cut them instead.

### Fabric

Periodically check and re-tighten any fasteners. Avoid direct sunlight. Treat spills and stains as soon as they occur. Gently scrape any soil or mop any liquid from the surface of the fabric, apply proprietary cleaning agents strictly according to instructions to remove the residue of the spill. Do not saturate the fabric or interior with water or other cleaning liquids. May be spot cleaned with dry cleaning solvent. Pilling can occur occasionally as a result of normal daily wear and should not be considered as a fault. Fibre pills can be removed by a battery operated pilling tool available from most haberdashery stores.

## Hardware (Supplied)



M6 x 55mm

**A** x 8



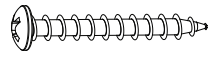
Ø6 x 11mm

**B** x 8



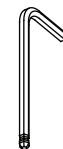
Ø6 x 18mm

**C** x 8



Ø4 x 50mm

**D** x 8

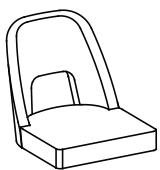


**E** x 1

Tools Required (Not Supplied)



## Parts



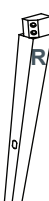
**1** x 1



**2** x 1



**3** x 1



**4** x 1



**5** x 1



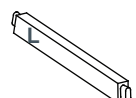
**6** x 1



**7** x 1



**8** x 1

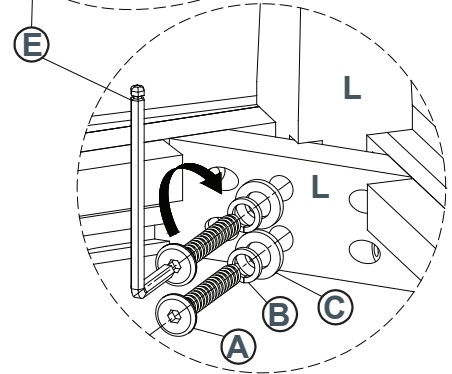
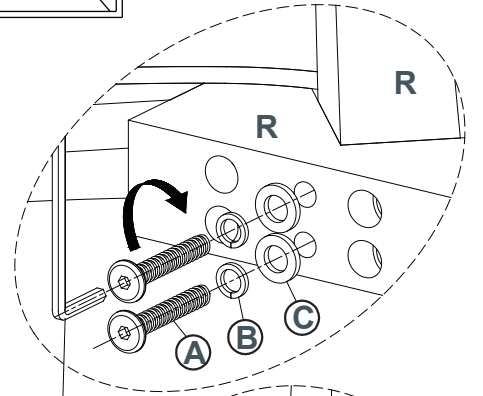
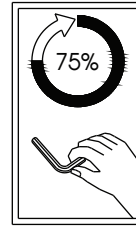
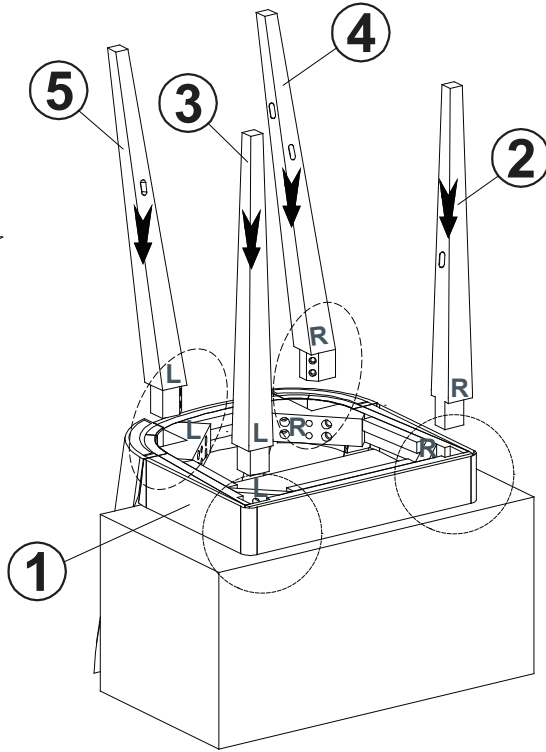
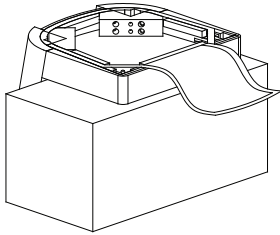
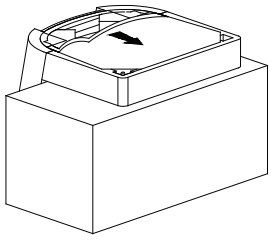


**9** x 1

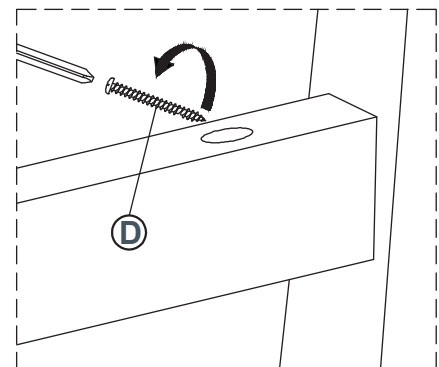
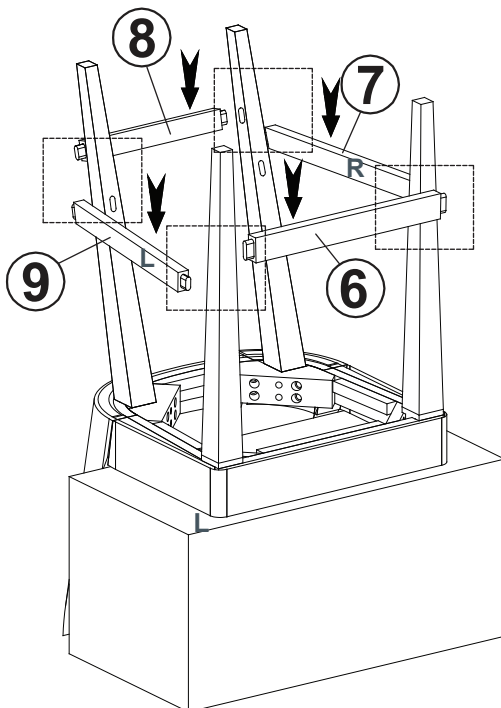
# NEIGHBOURHOOD COUNTER STOOL

24193986/24200134

Step 1.



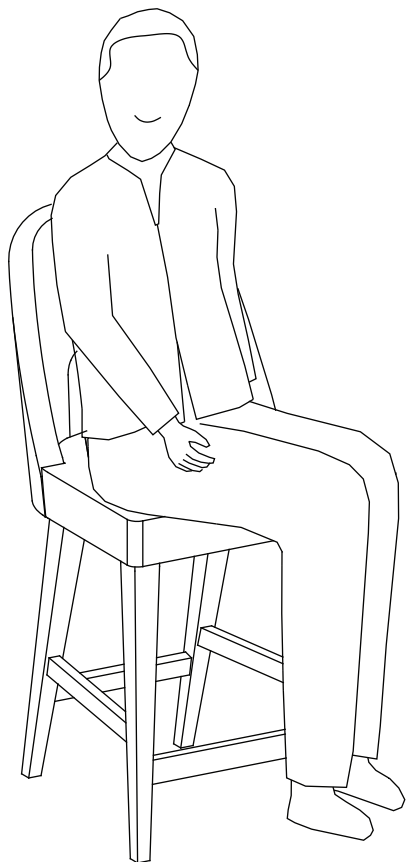
Step 2.



# NEIGHBOURHOOD COUNTER STOOL

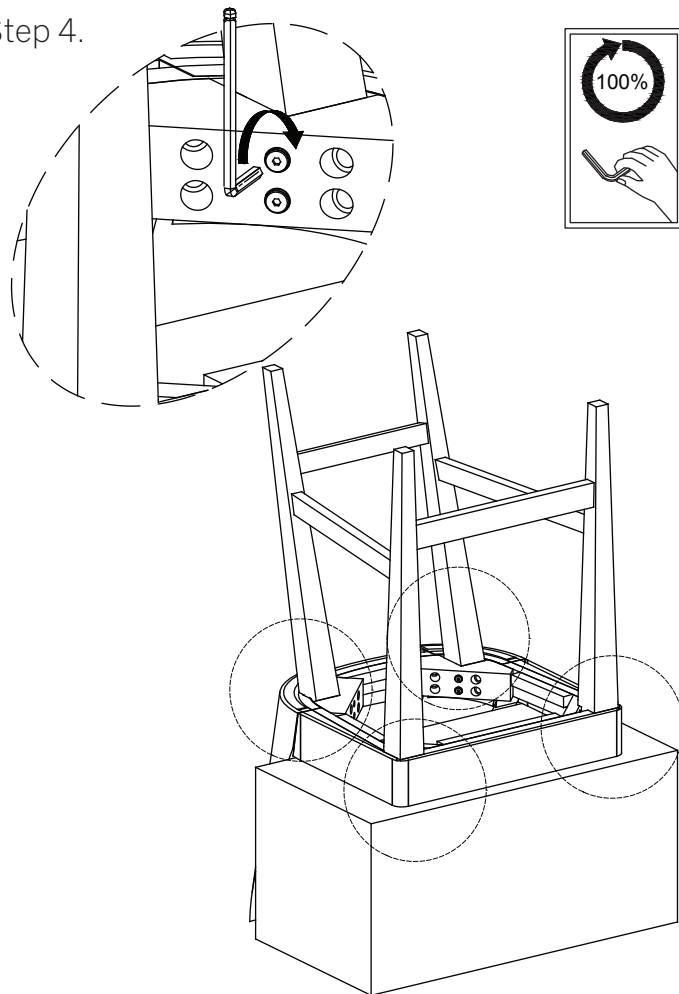
24193986/24200134

Step 3.



Sit on the chair to allow the legs to even out.

Step 4.



Step 5.

