

Scholar Desk 3 Drawers Natural

24206686

Thank you for purchasing the **Scholar Desk 3 Drawers Natural**. Before you begin to assemble your new piece of furniture, please check to ensure that all hardware and parts have been supplied. This page lists all contents included in the carton(s).

Follow instructions closely as deviation from them may present a possible safety risk and may void your warranty.

It is recommended that assembly is done on a soft surface such as carpet to avoid any damage.

If you experience any problems with your new purchase, please contact Customer Service via the website www.freedom.com.au or www.freedomfurniture.co.nz

Care Information

DO

Use tablecloths, table runners and coasters to help protect surfaces from scratching.

Dust once a week using a soft cloth or similar duster.

Only use freedom recommended care products as many supermarket polishes and waxes contain high levels of silicon and petroleum distillate which can damage the surface.

Polish your furniture every 3 to 6 months, making sure the surface is free from dust before you start.

Periodically check and retighten furniture. Always lift your furniture, never drag it










DON'T

Avoid placing hot or wet items directly on the surface as they can leave marks which are difficult to remove.

Avoid direct sunlight, as this will cause colour change. If the furniture is in direct sunlight, move items like vases around to avoid spotting.

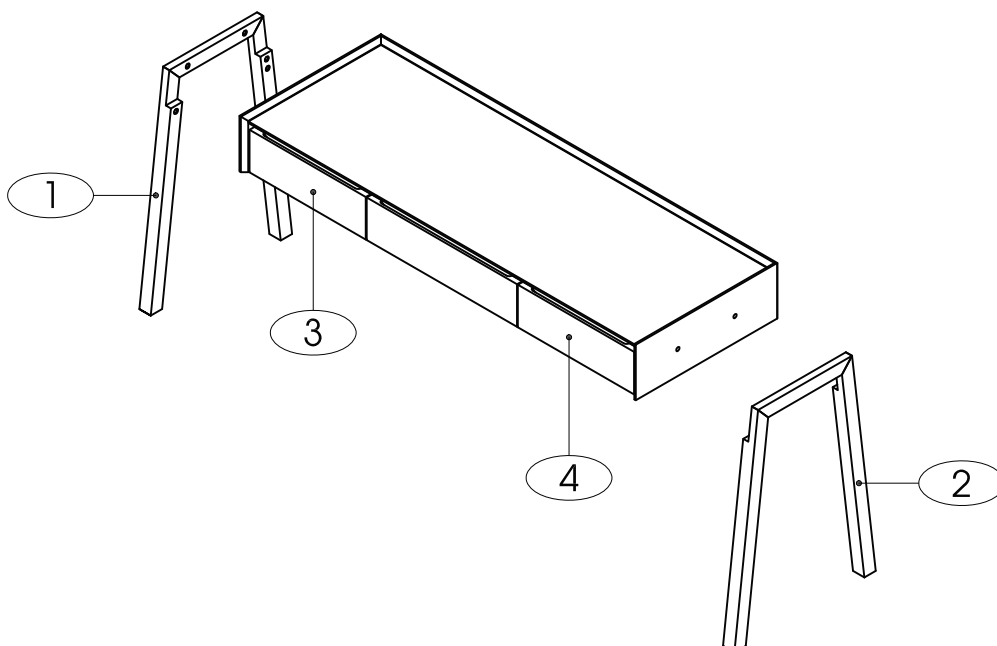
Avoid applying too much polish as this will build up and need to be removed with a wood - cleaning product.

Hardware (Supplied)

M8x20  A = 14 Sets	M8x35  B = 4 Sets	60x30x25  C = 1 pc	60x30x25  D = 1 pc	60x60x25  E = 1 pc	60x60x25  F = 1 pc	 G = 1 pc		
---	--	---	---	---	---	---	---	---

Tools Required (Not Supplied)

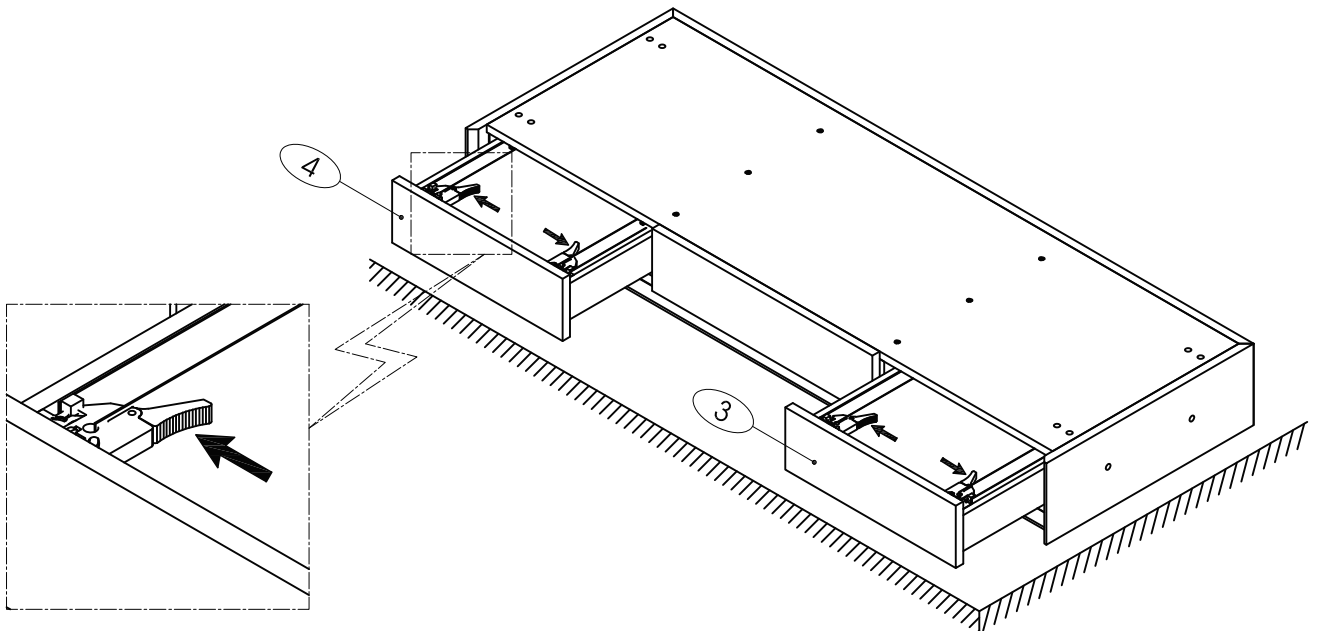
Parts



Scholar Desk 3 Drawers Natural

24206686

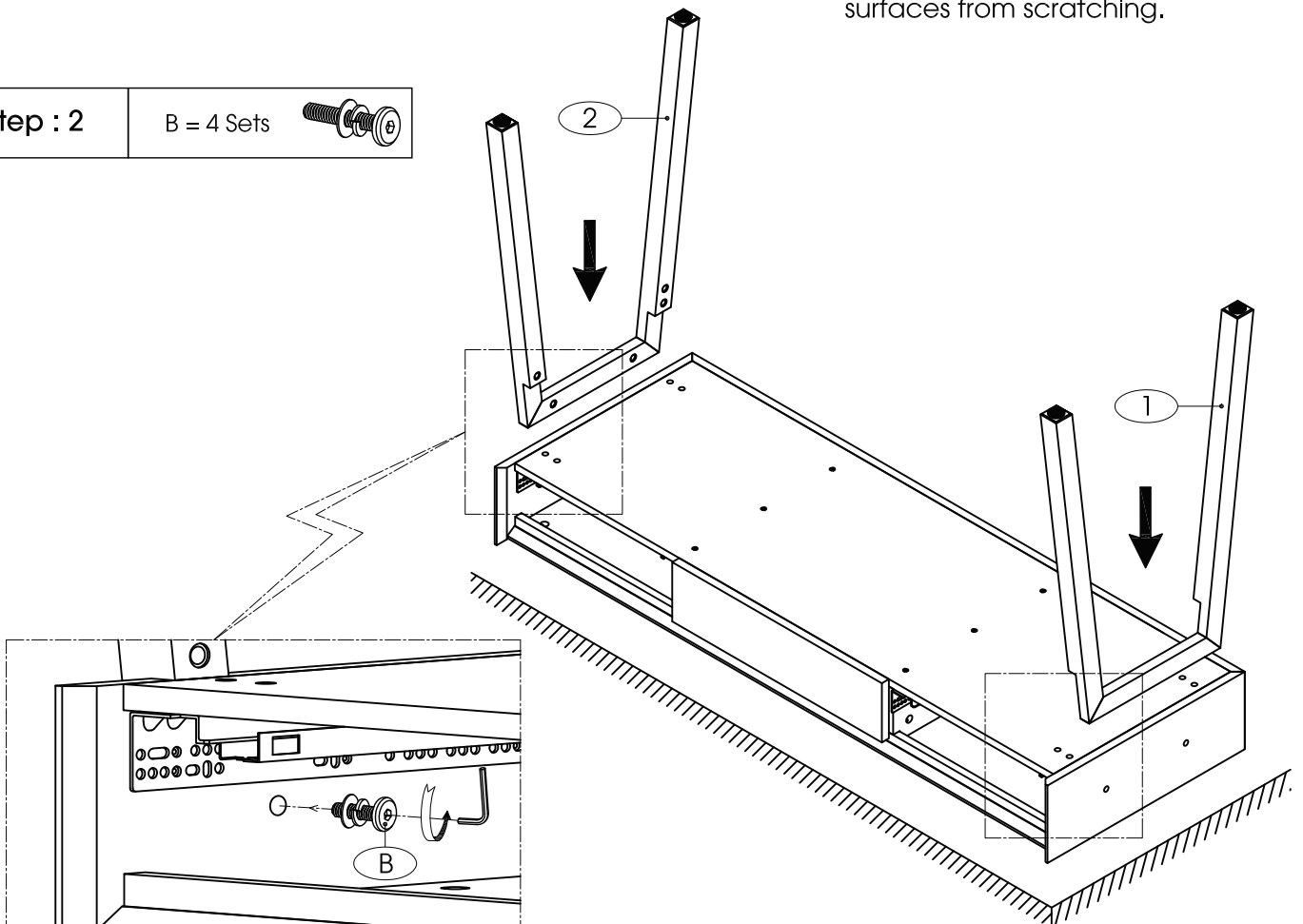
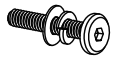
Step : 1



Attention! Put the item on a rug or similar to help protect surfaces from scratching.

Step : 2

B = 4 Sets



Scholar Desk 3 Drawers Natural

24206686

Step : 3

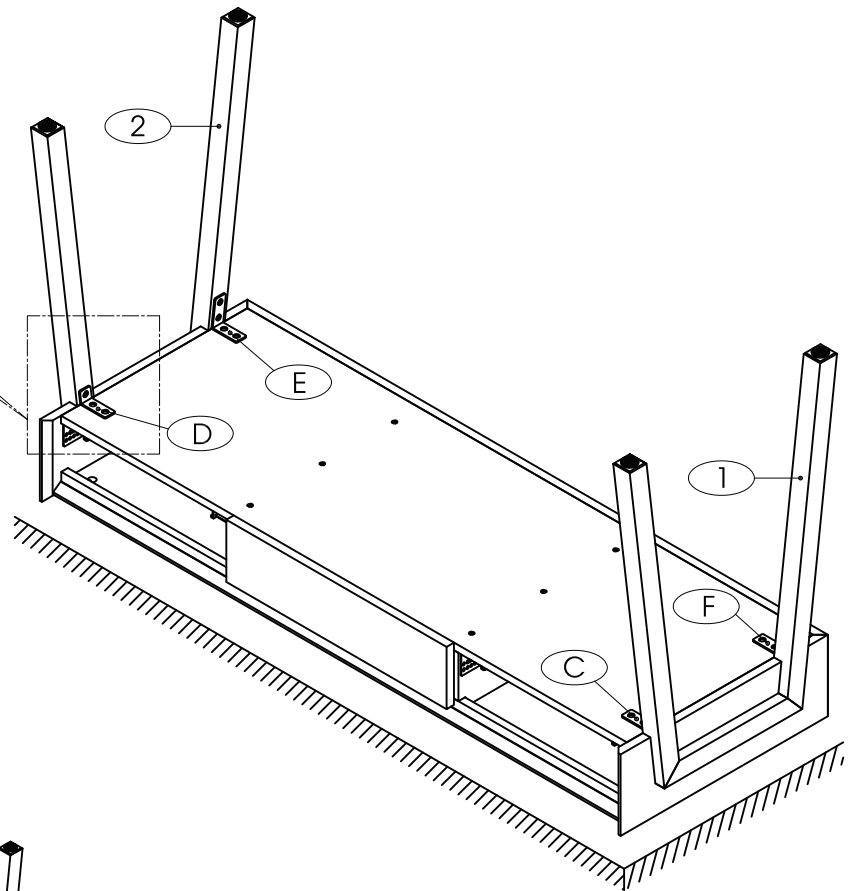
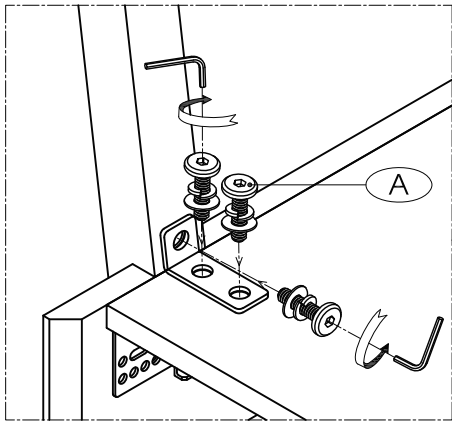
A = 14 Sets 

C = 1 Pc 

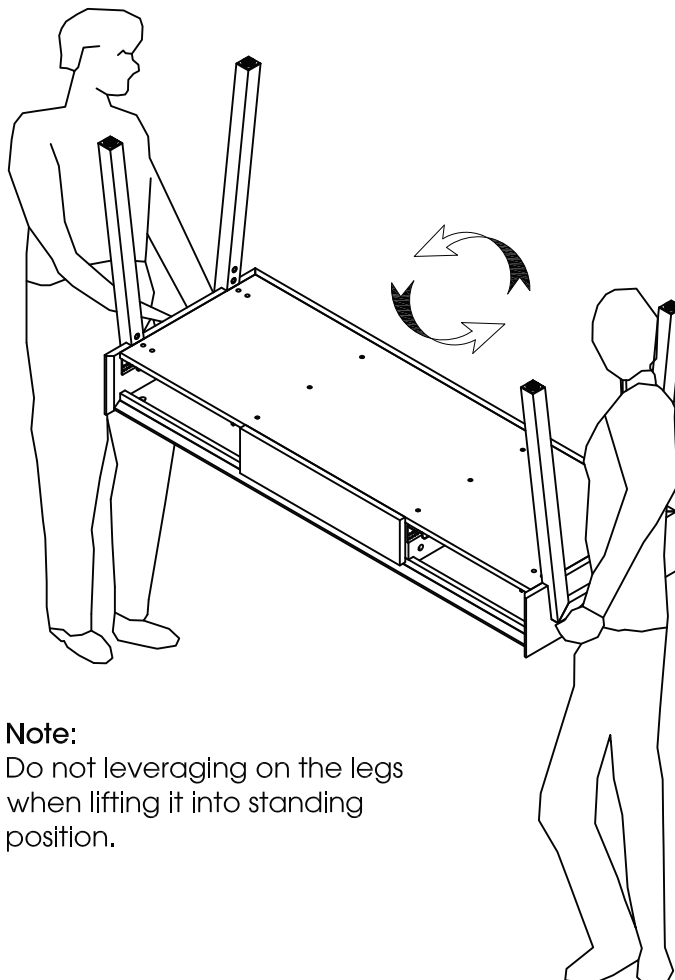
D = 1 Pc 

E = 1 Pc 

F = 1 Pc 



Step : 4



Note:
Do not leveraging on the legs
when lifting it into standing
position.

Scholar Desk 3 Drawers Natural

24206686

Step : 5

