

SILIND COFFEE TABLE TERRAZZO WHITE

24206754

Thank you for purchasing the Silind Coffee Table Terrazzo White. Before you begin to assemble your new piece of furniture, please check to ensure that all hardware and parts have been supplied. This page lists all contents included in the carton(s).

Follow instructions closely as deviation from them may present a possible safety risk and may void your warranty.

It is recommended that assembly done on a soft surface such as carpet to avoid any damage.

If you experience any problems with your new purchase, please contact customer service via the website www.freedom.com.au or www.freedomfurniture.co.nz

Care information:

Terrazzo is a composite material made from cement and various stones. It is coated on top with acrylic. Each piece will vary due to variation in colour and concentration in stones.

If looked after, this material is durable and long-lasting. Terrazzo is a very porous material and as such should be protected from spills and stains.

Avoid the use of abrasive soaps and cleaners, Freedom recommends a mild non-abrasive, non-ammonia soap for everyday cleaning.

Clean up spills immediately, as extended exposure to foods may cause staining of the surface.

Avoid placing hot or wet items directly on the surface as they can leave marks which are difficult to move.

Use tablecloths, table runners and coasters to help protect surfaces from scratching and heat sources.

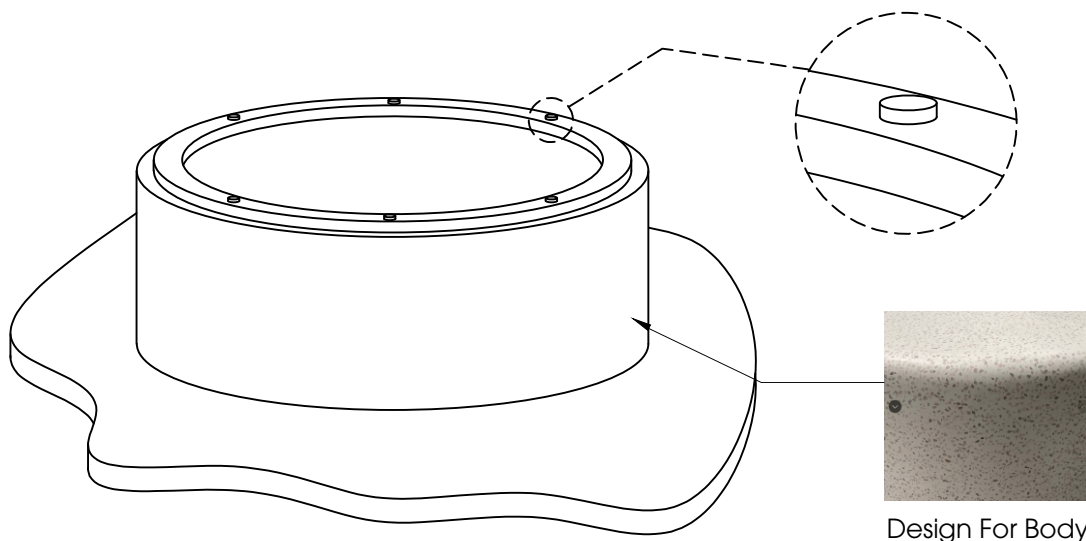
Avoid direct sunlight for extended periods as this can cause warping. Never use the tabletop as a cutting surface or similar.

If the furniture is in direct sunlight, more items like vases around to avoid spotting. Item is intended for indoor use only.

Assembly Information

Due to the weight of the table, it is recommended that more than one person undertakes assembly. Keep the any soft packaging material to protect table top during assembly.

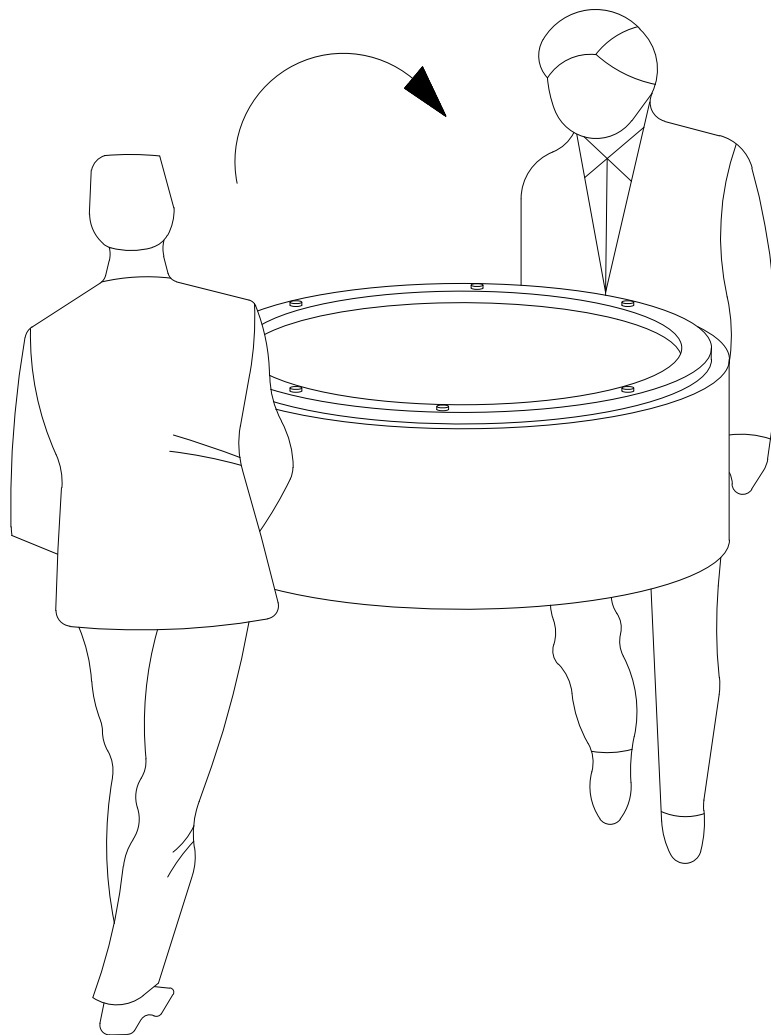
Step 1.



SILIND COFFEE TABLE TERRAZZO WHITE

24206754

Step 2.



Finish.

