

BUNGALOW BED QUEEN

24210409

Thank you for purchasing the **Bungalow Bed Queen**. Before you begin to assemble your new piece of furniture, please check to ensure that all hardware and parts have been supplied. This page lists all contents included in the carton(s).

Follow instructions closely as deviation from them may present a possible safety risk and may void your warranty.

It is recommended that assembly is done on a soft surface such as carpet to avoid any damage.

If you experience any problems with your new purchase, please phone Freedom Customer Service (FCS) on 1300 135 588 (Australia) or 0800 469 327 (New Zealand).

Care Information

Do

Clean the surface regularly. A monthly or even weekly cleaning is the best way to protect your rattan furniture and prevent major damage. Clean the surface of rattan with a damp cloth. Place rattan furniture in an area that is not exposed to rain and direct sunlight.

DON'T

Keep pets away from rattan furniture as they can cause abrasions or scratches. Don't drag the furniture. Don't sit on headboard or footboard component of rattan furniture.

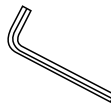
Hardware (Supplied)



JCBC Screw M6 x 40mm
(Pre-attached)



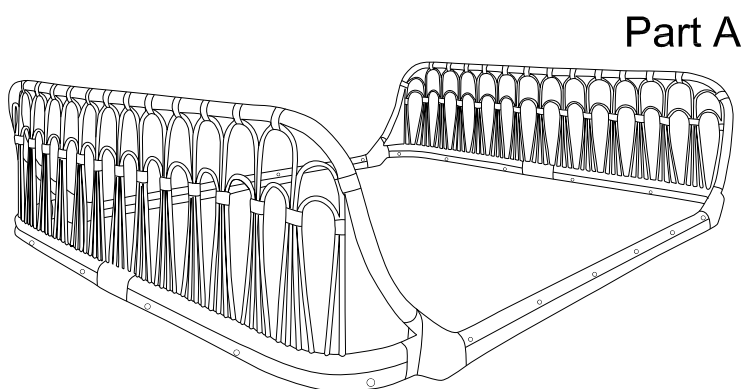
Dowel 14mm



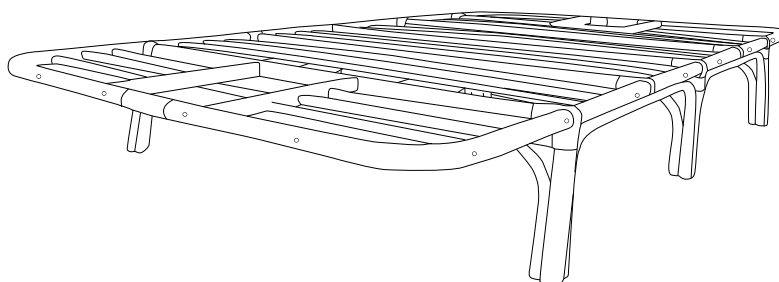
Allen Key M6

24x Part C 24x Part D 1x Part E

Parts



Part A



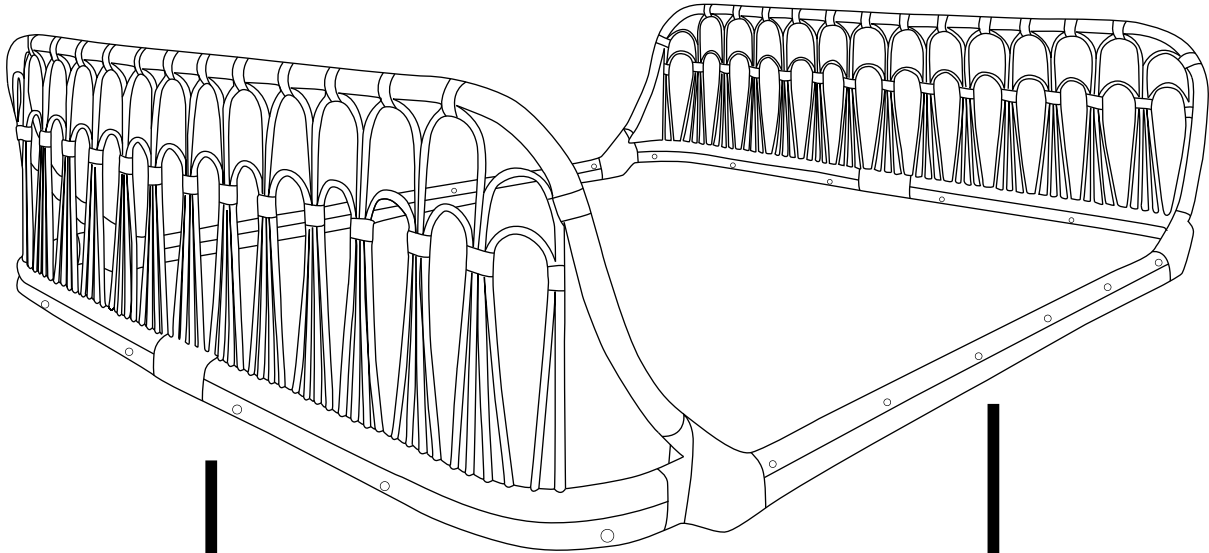
Part B

BUNGALOW BED QUEEN

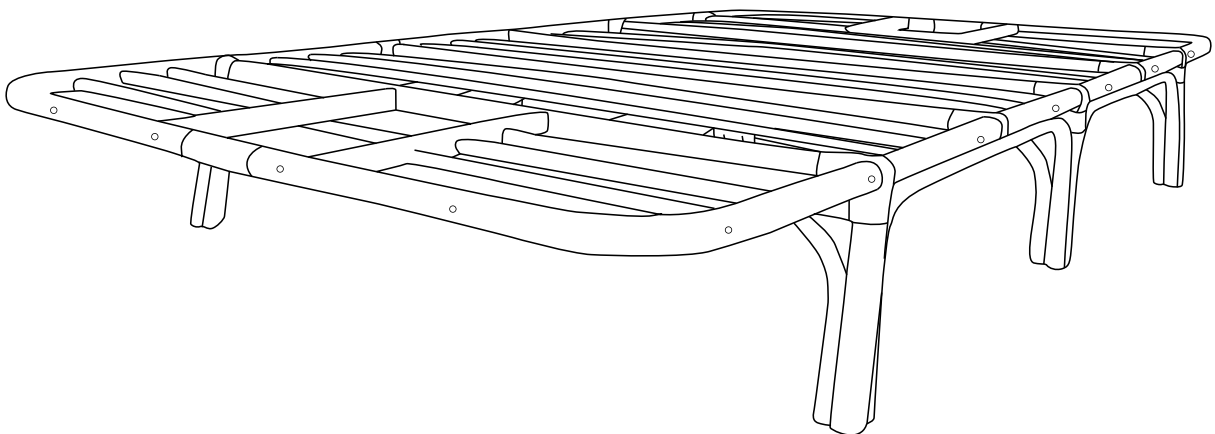
24210409

Step 1.

Part A



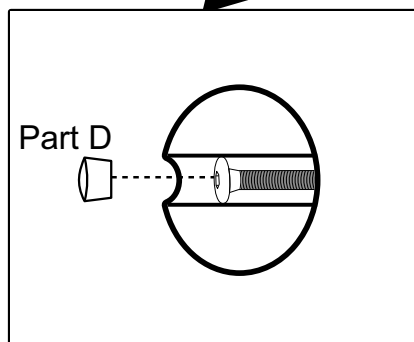
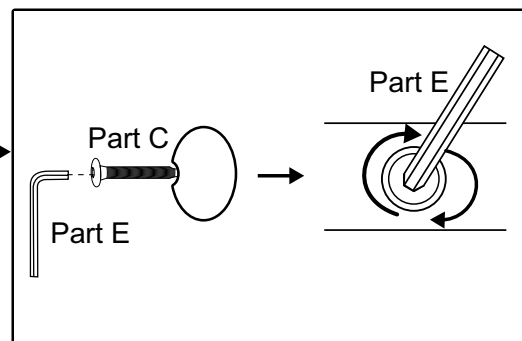
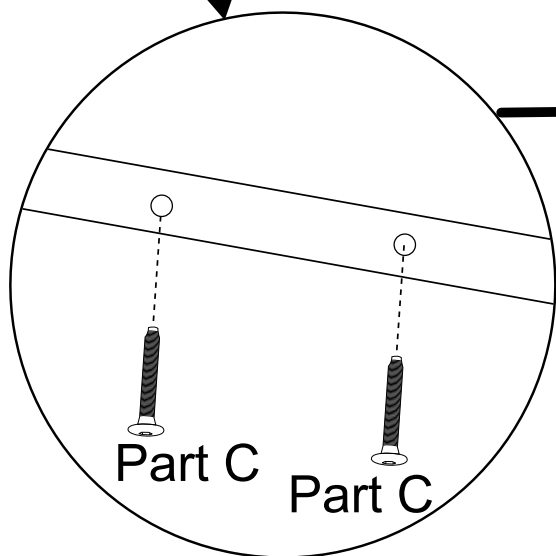
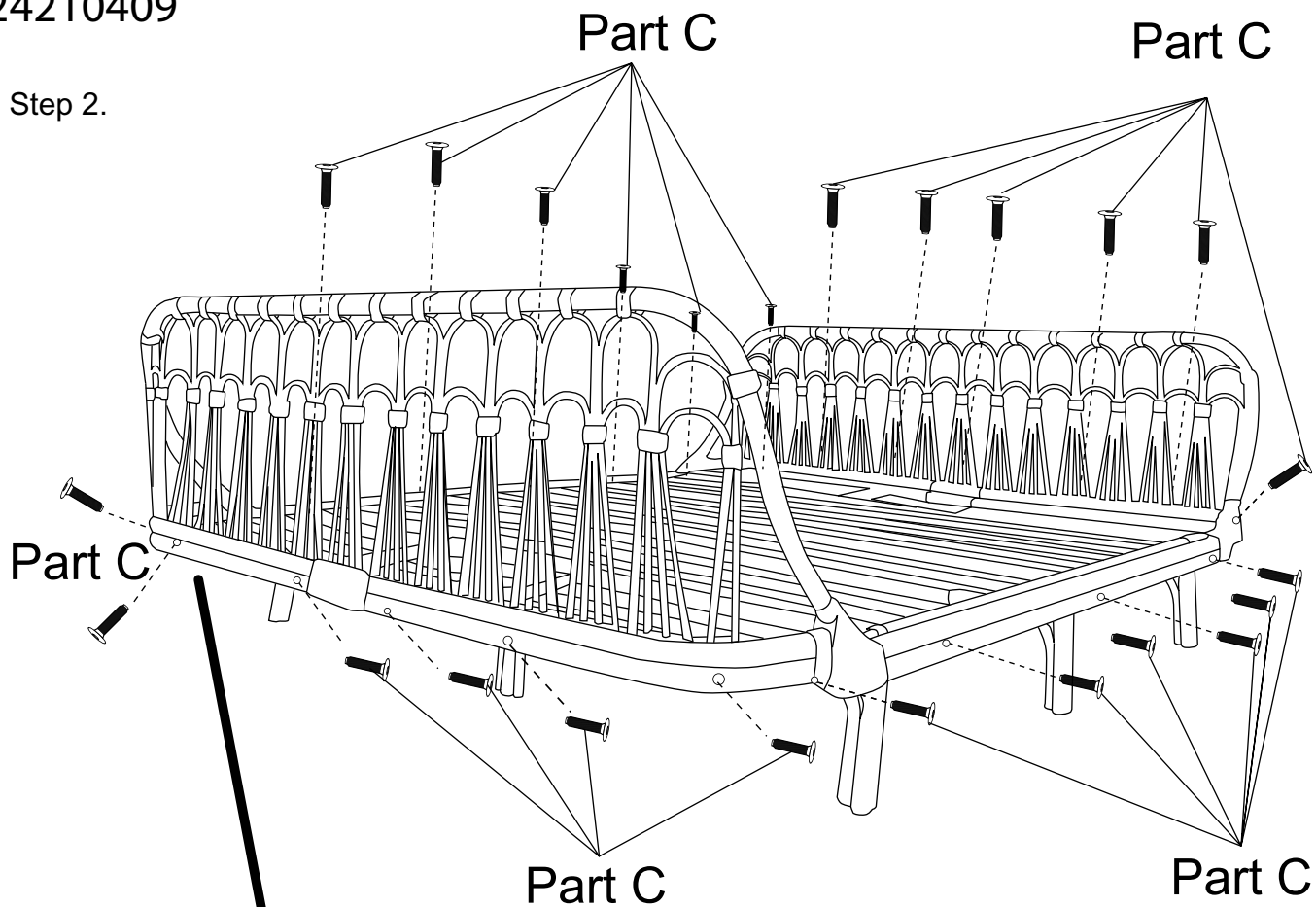
Part B



BUNGALOW BED QUEEN

24210409

Step 2.



BUNGALOW BED QUEEN

24210409

Finished

