

# Havelock Round Dining Table Very Heavy Product Concrete Grey

24208338-24223607

Undercover



Thank you for purchasing the **Havelock Round Dining Table Very Heavy Product Concrete Grey**. Before you begin to assemble your new piece of furniture, please check to ensure that all hardware and parts have been supplied. This page lists all contents included in the carton(s).

Follow instructions closely as deviation from them may present a possible safety risk and may void your warranty.

It is recommended that assembly is done on a soft surface such as carpet to avoid any damage.

If you experience any problems with your new purchase, please contact Customer Service via the website [www.freedom.com.au](http://www.freedom.com.au) or [www.freedomfurniture.co.nz](http://www.freedomfurniture.co.nz)

## Care Information

### **This product is suitable for Occasional Outdoor Use or Undercover**

This refers to outdoor furniture that isn't designed for permanent outdoor use. It is recommended for use in outdoor covered areas only.

### **Timber Care**

To prolong lifetime store in a dry location when not in use or during periods of inclement weather. Expansion and contraction of timbers will occur with changes in humidity and temperature. This can cause timber to split which is natural and not considered a fault. Over time, all wooden furniture will naturally change to a grey colour when left exposed to the elements. This will accelerate when the timber is not oiled or cleaned.

We recommend using Freedom Timber Outdoor Protection Kit. It has been formulated in Australia to help nourish and protect your timber from UV, wind and rain damage when used as directed.

### **How to use the Outdoor Protection Kit.**

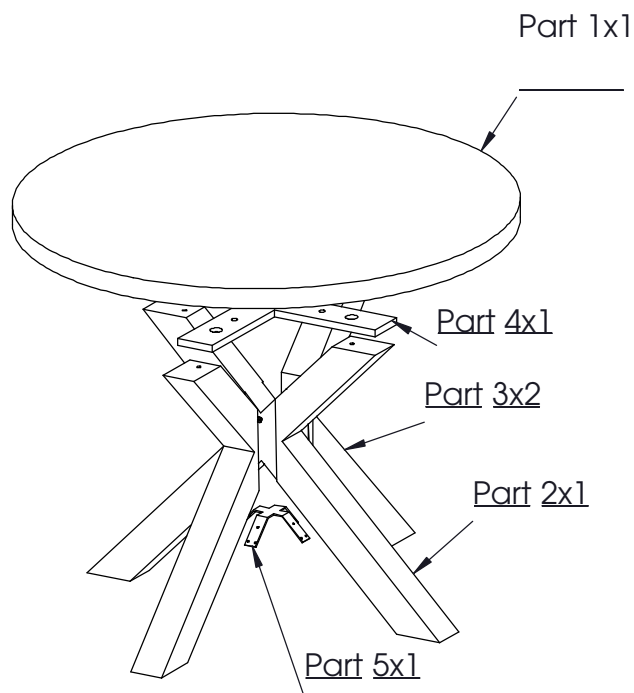
**It is recommended the following care is performed annually or after every cleaning to maintain protection.**

- Remove any cushions
- Using a dust pan brush, remove any excess dirt or dust from the surface of the outdoor timber
- Slightly dampen the microfiber cloth supplied with clean water and clean timber furniture thoroughly, ensuring no dirt or grime is left on surface. All surface to dry.
- Protect nearby surfaces for accidental overspray (wipe any up immediately).
- Test by lightly spraying a hidden area. Let dry. Avoid use if you detected any undesirable change in appearance.
- Spray the Wood Defence 25-30cm from wood, using a slow, back-and-forth motion. Overlap to cover uniformly, do not saturate. Let dry for about 1 hour, then reapply. Two light coats are more effective than one heavy coat.
- Wash cloth with clean water and dry.

# Havelock Round Dining Table Very Heavy Product Concrete Grey

24208338-24223607

Parts



M6x45



Ax4

6x22



Bx4

M8x45



Cx4

8x22



Dx4

M4x30



Ex12

K4

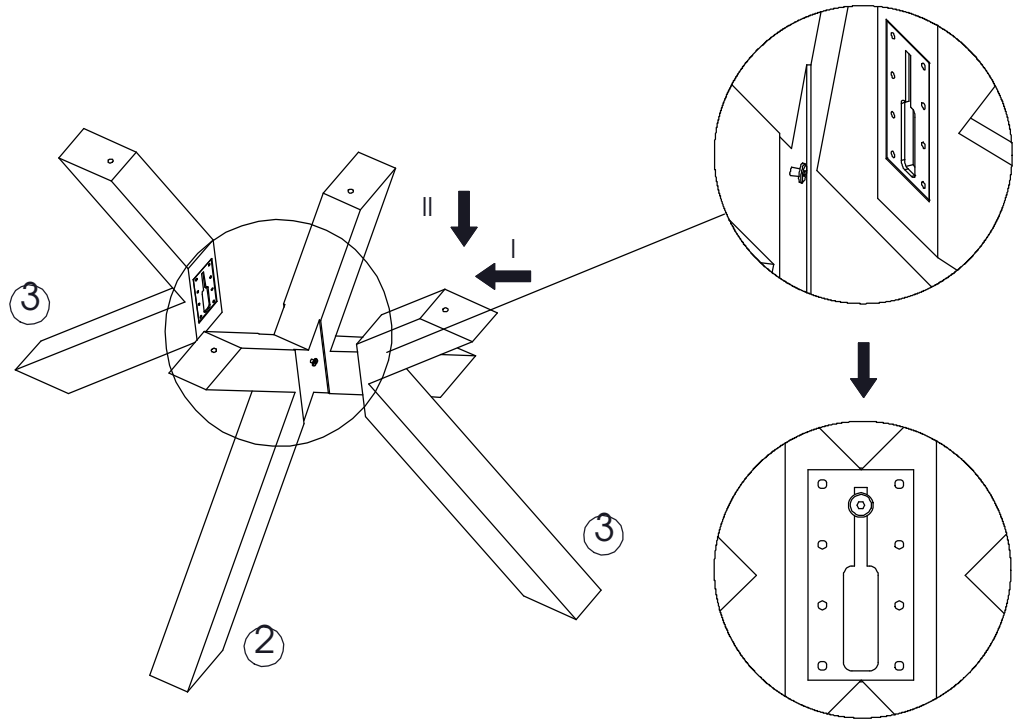


Mx1

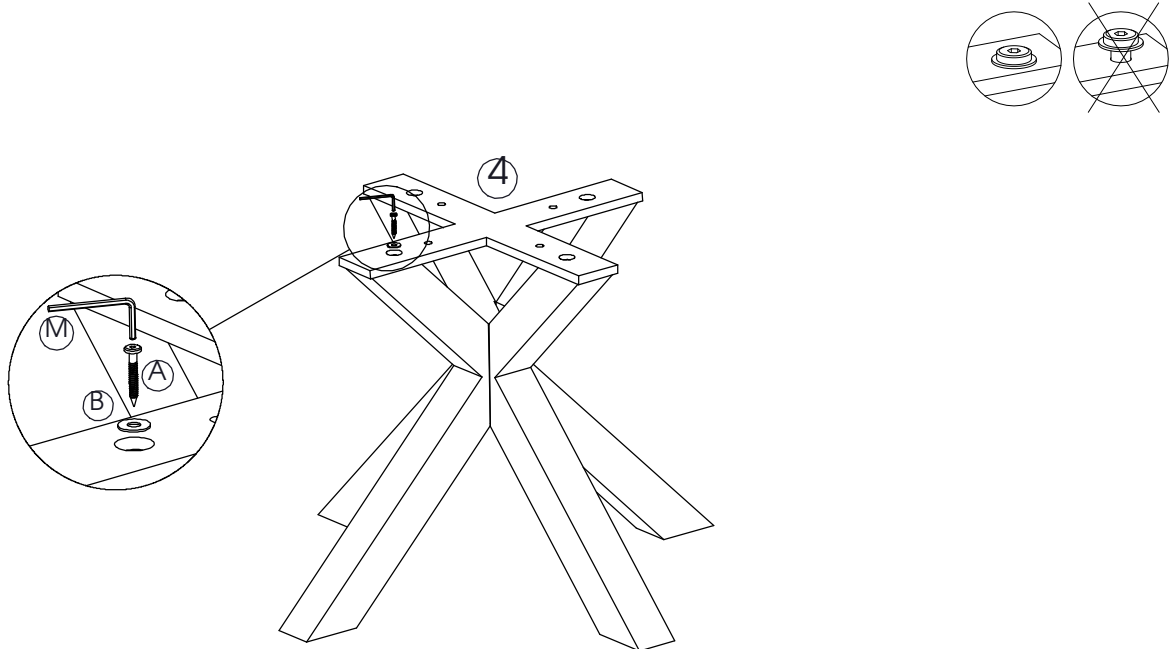
# Havelock Round Dining Table Very Heavy Product Concrete Grey

24208338-24223607

Step 1.

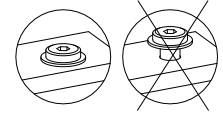


Step 2.

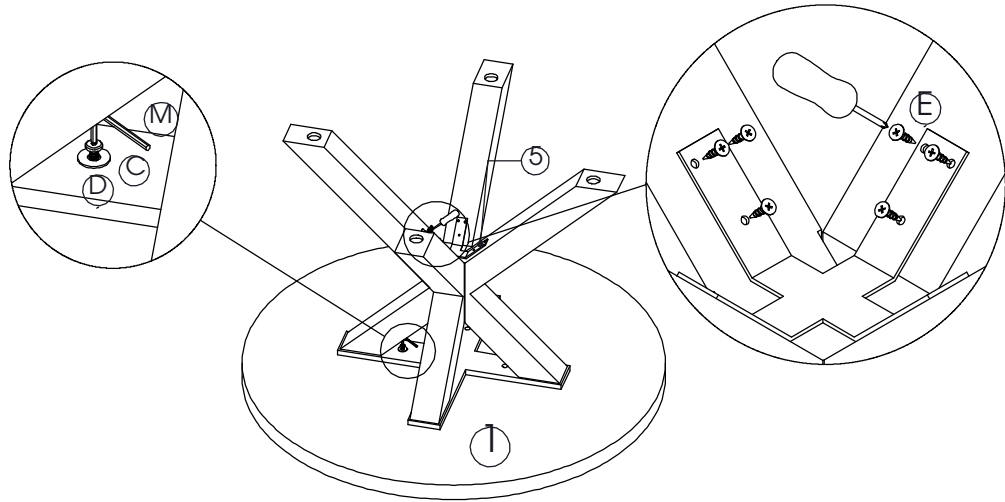


# Havelock Round Dining Table Very Heavy Product Concrete Grey

24208338-24223607

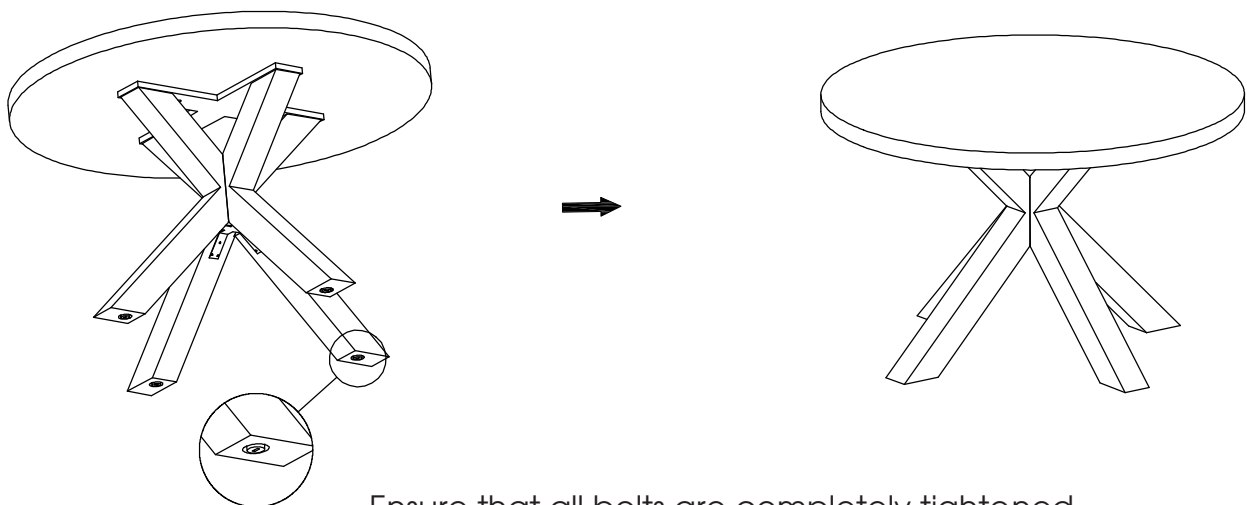


Step 3.



Ensure that all bolts are completely tightened

Step 4.

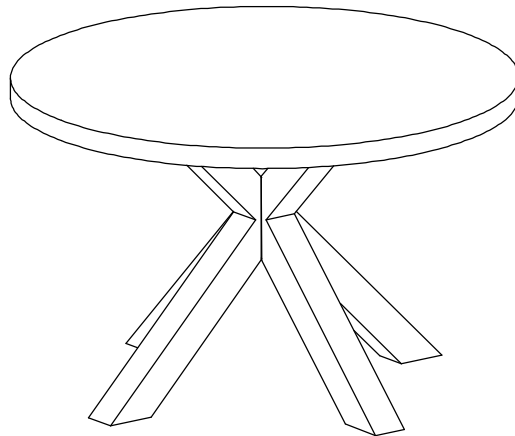


Ensure that all bolts are completely tightened

# Havelock Round Dining Table Very Heavy Product Concrete Grey

24208338-24223607

Finished.



Ensure that all bolts are completely tightened