

Maddox MKII / MKIII Sofabed

24142328 / 24204903 / 24228213 / 24232791

Thank you for purchasing the Maddox MKII / MKIII Sofabed. Before you begin to assemble your new piece of furniture, please check to ensure that all hardware and parts have been supplied. This page lists all contents included in the carton(s).

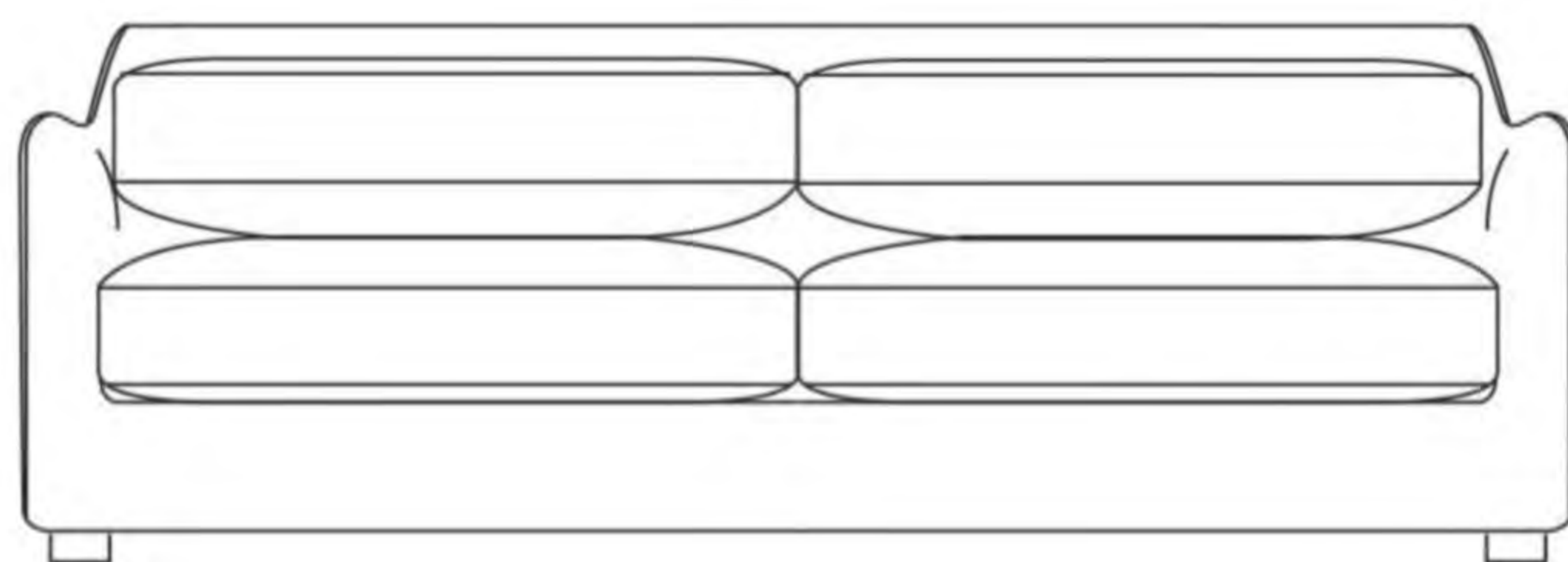
Follow instructions closely as deviation from them may present a possible safety risk and may void your warranty.

It is recommended that assembly is done on a soft surface such as carpet to avoid any damage. If you experience any problems with your new purchase, please phone Freedom Customer Service FCS on 1300 135 588 (Australia) or 0800 469 327 (New Zealand).

Care Information

Periodically check and re-tighten any fasteners. Avoid direct sunlight. Treat spills and stains as soon as they occur. Gently scrape any soil or mop any liquid from the surface of the fabric, apply proprietary cleaning agents strictly according to instructions to remove the residue of the spill. Do not saturate the fabric or interior with water or other cleaning liquids. May be spot cleaned with dry cleaning solvent. Piling can occur occasionally as a result of normal daily wear and should not be considered as a fault. Fibre pills can be removed by a battery operated pilling tool available from most haberdashery stores.

Parts



Part A x 1

Two people required to orientate sofa.

Hardware List



Part B x 4
Leg



Part C x 4
Screw



Part D x 4
Washer



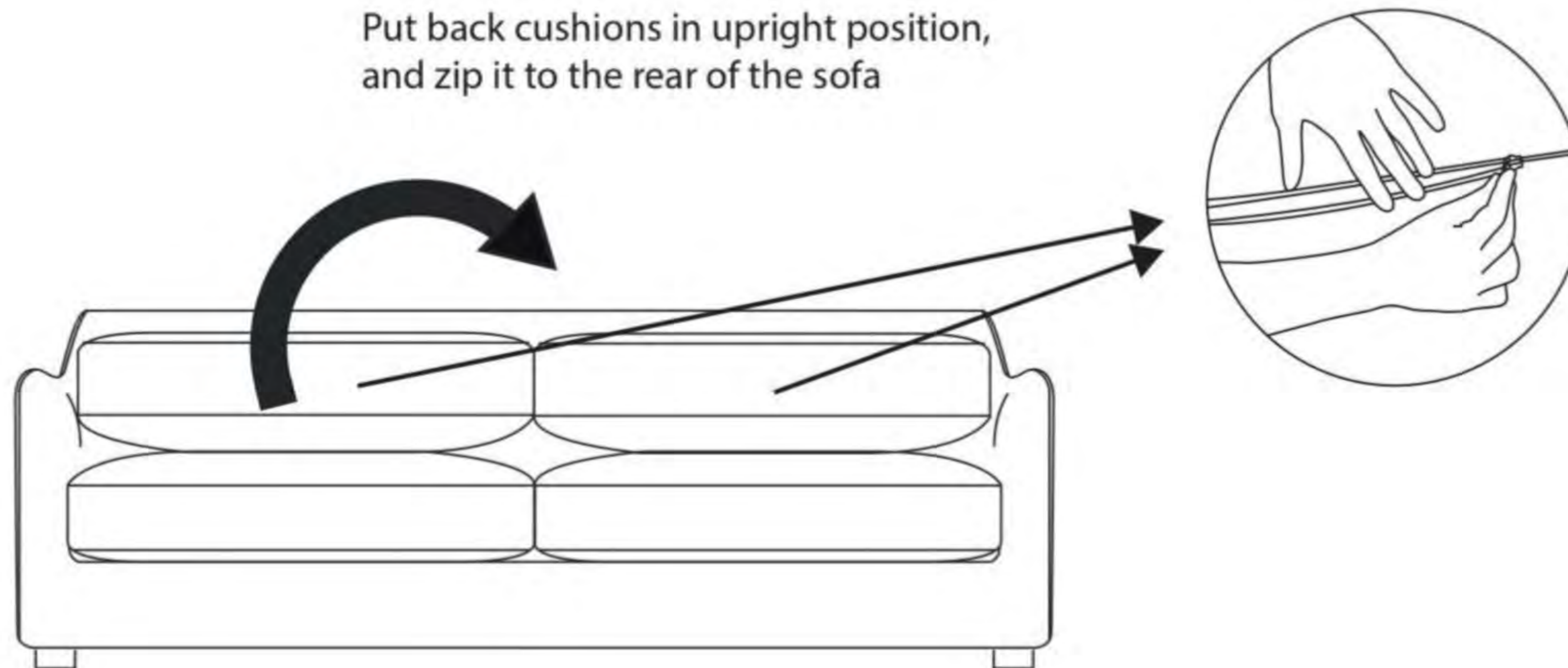
Part E x 1
Allen Key

Maddox MKII / MKIII Sofabed

24142328 / 24204903 / 24228213 / 24232791

Step 1.

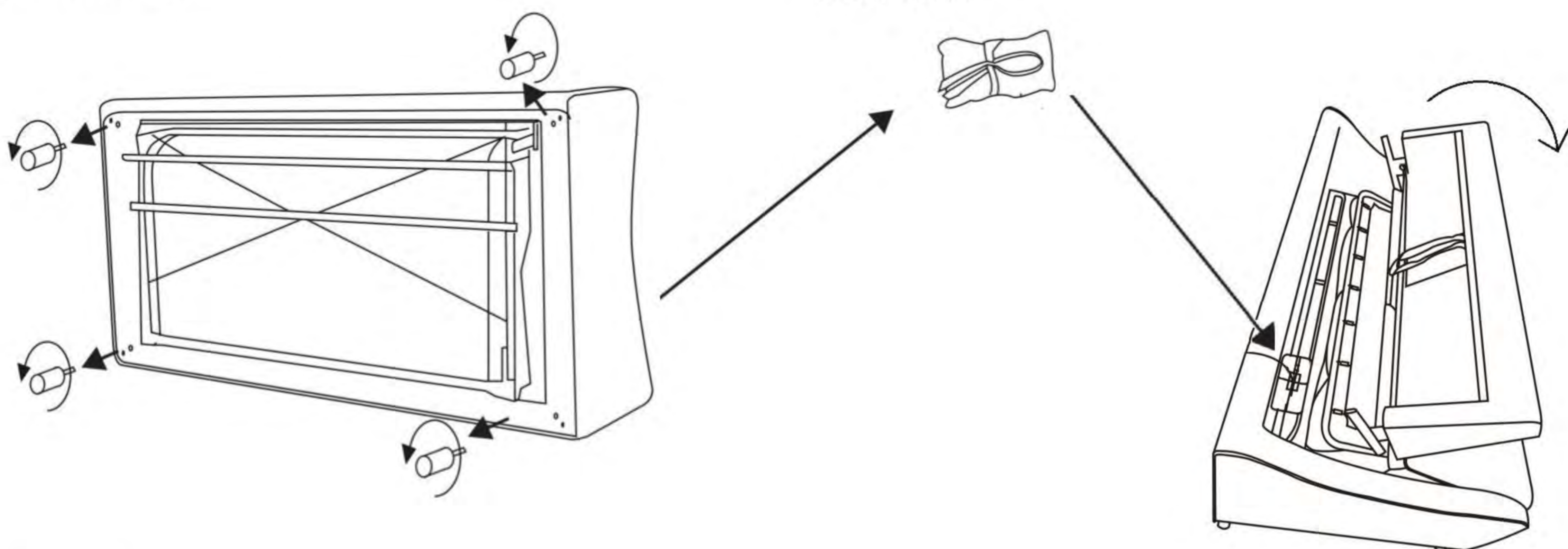
Put back cushions in upright position, and zip it to the rear of the sofa



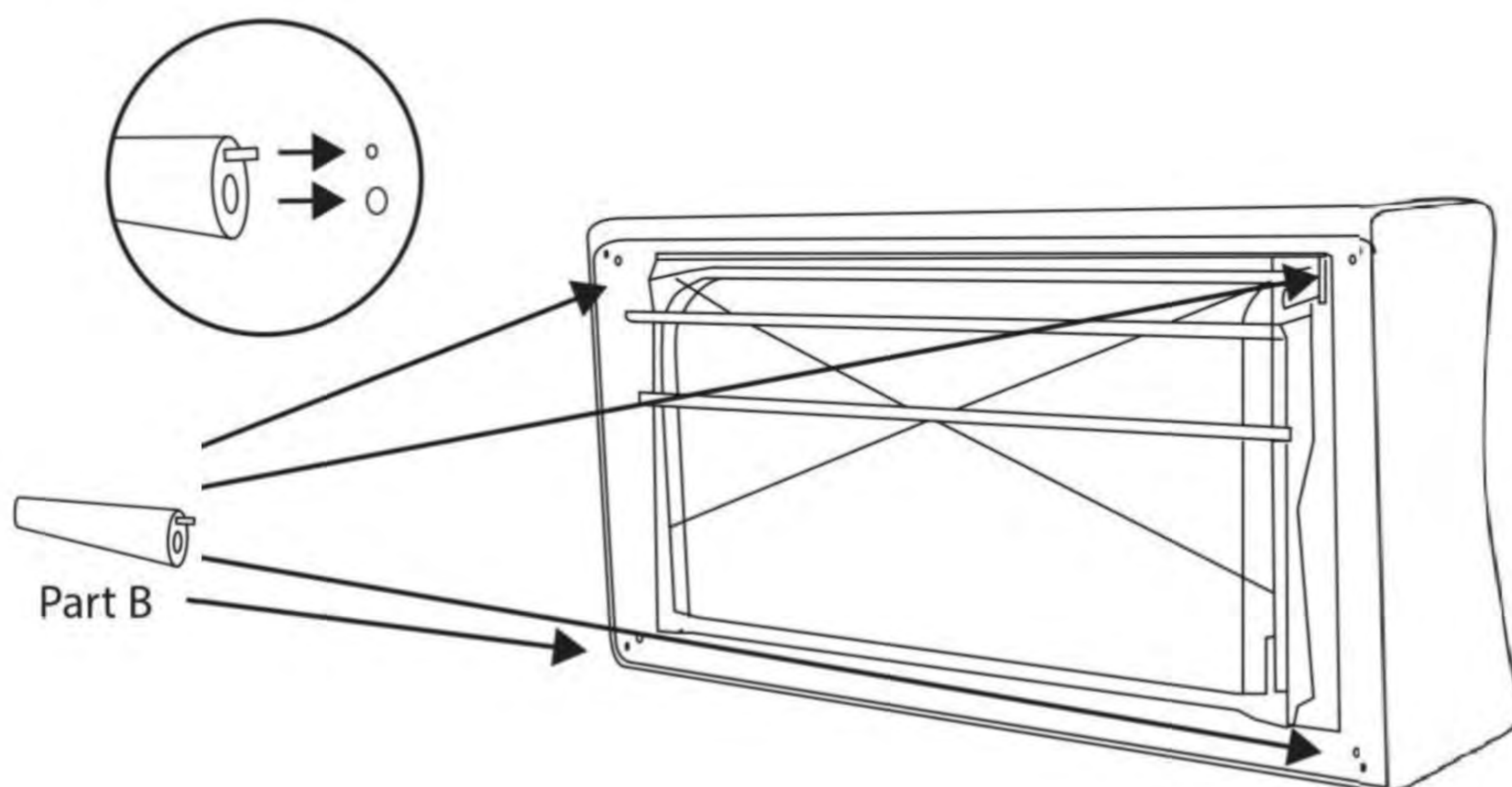
Step 2.

Unscrew plastic legs

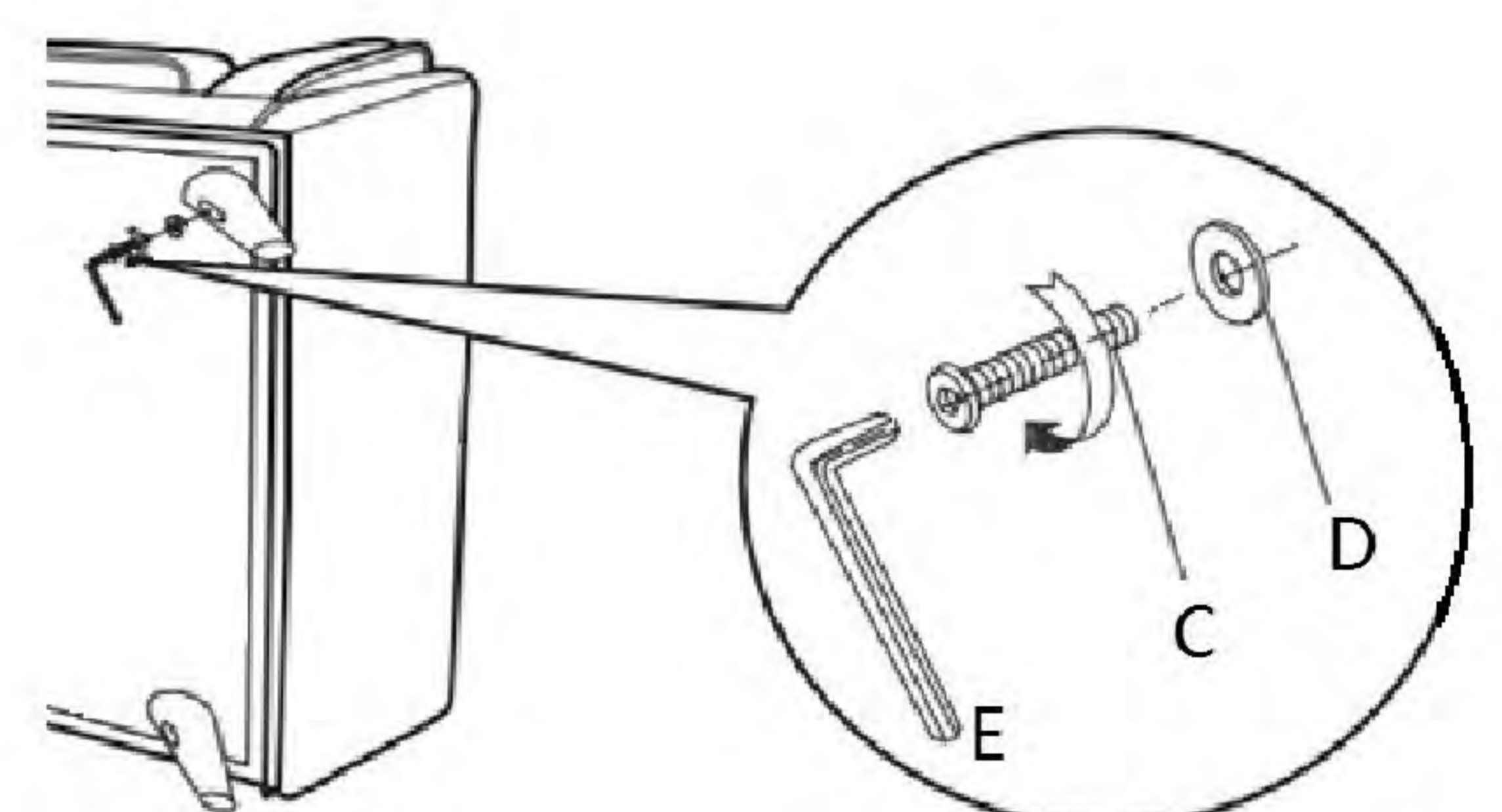
Detach wood leg & hardware package from sofa seat



Step 3.



Step 4.

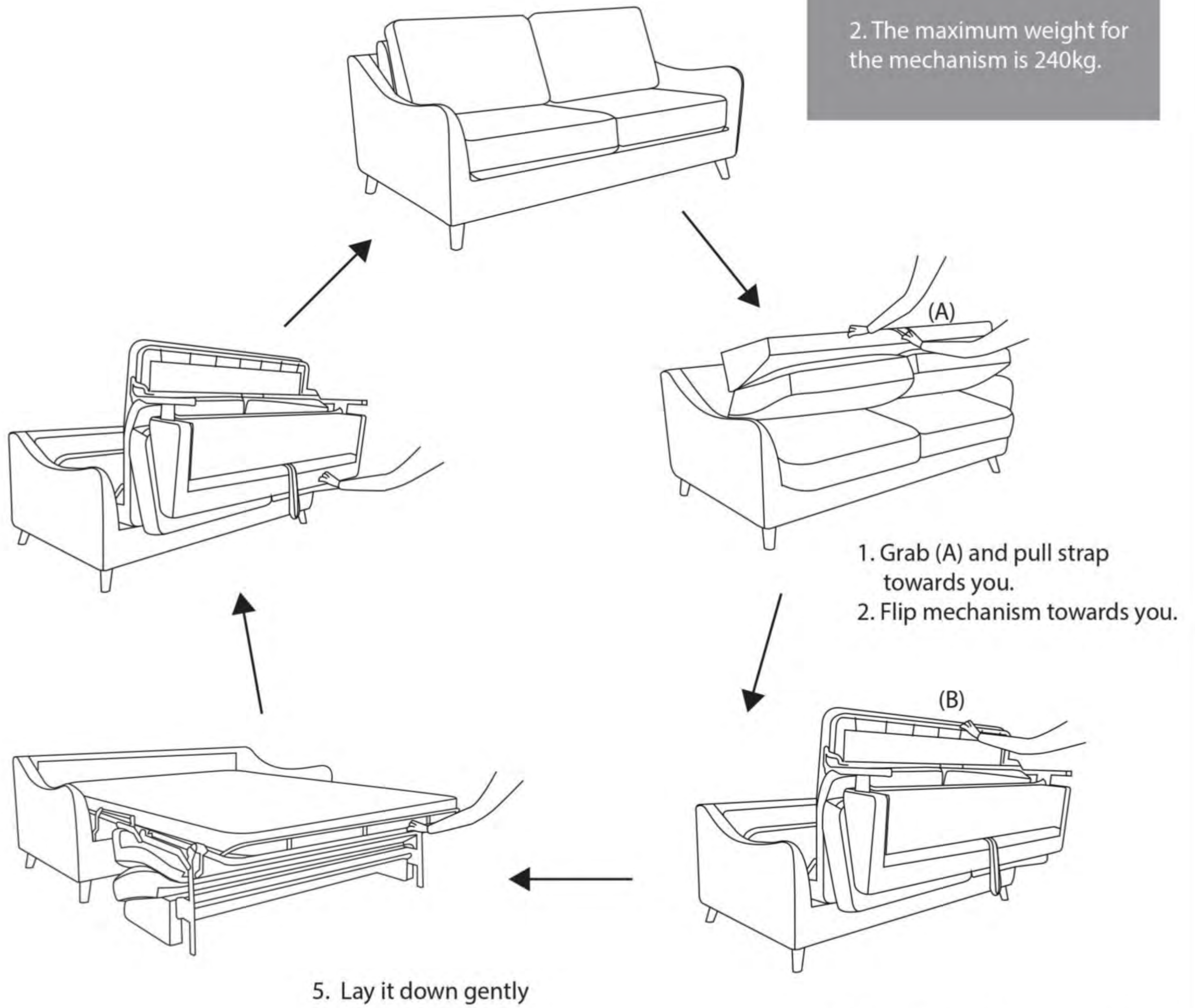


Maddox MKII / MKIII Sofabed

24142328 / 24204903 / 24228213 / 24232791

1. Do not stand or jump or sit on the steel frame of the sofa bed.

2. The maximum weight for the mechanism is 240kg.



Finished

