

Hone Coffee Table

24244398,24244404

Thank you for purchasing the **Hone Coffee Table**. Before you begin to assembly your new piece of furniture please check to ensure that all hardware and parts have been supplied. This page lists all contents included in the carton (S). Follow instructions closely as deviation from them may present a possible safety risk and may void your warranty. It is recommended that assembly is on a soft surface such as carpet to avoid any damage.

If you experience any problems with your new purchase, please contact Freedom Customer Service via www.freedom.com.au (Australia) or www.freedomfurniture.co.nz (New Zealand).

Care Information

- Use table cloths, table runners and coasters to help protect surfaces from scratching. Certain ranges have a more raw appearance to accentuate their beauty and require extra care. These include white-wash finishes.
- Treat spills quickly with a damp cloth
- Dust once a week using a soft cloth or similar duster. Dust in the direction of the grain where possible
- Use felt pads on the base of vases or similar items to avoid scratching. Be aware that certain materials such as rubber leg glides on electronic devices and vinyl can react with timber and mark it
- Only use recommended care products as many supermarket polishes and waxes contain high levels of silicon and petroleum distillate which can damage the surface. Freedom recommends using the Indoor Timber Protection Kit. This kit comes with a cleanser/conditioner, a protective cream and reusable microfiber cloth.
- Periodically check and re-tighten any fasteners.
- Although we test our finishes for resistance to heat and stains you should always avoid placing hot or wet items directly on the surface as they can leave marks which are difficult to remove. Where joints or veneers meet, it can cause swelling or splitting
- Avoid direct sunlight, as this will cause color change. If the furniture is in direct sunlight move items like vases around to avoid spotting.
- Don't place potted plants on timber or veneers unless it is water tight or in a tray.
- Avoid applying too much care product as this will build up and need to be removed with a wood-cleaning product. Avoid supermarket polishes and waxes as many contain high levels of silicon and petroleum distillate which can damage the surface.
- Timber designed for indoor use should not be left outside. Its finish is not designed for use outdoors.

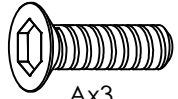
A number of our furniture ranges are unique handmade items. While great care is taken during production there can be slight variations which is part of the charm and appeal of handcrafted timber product and not a manufacturing defect.

Note: Thank you for purchasing our **Hone Coffee Table**. While great care is taken during production this piece may have some subtle natural splitting, Cracking or Chipping that give a natural vintage look. Such a look is part of the charm and appeal of crafted timber product and not a manufacturing defect.

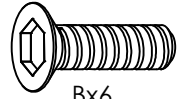
Hone Coffee Table

24244398,24244404

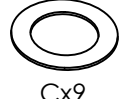
Hardware (Supplied)



Ax3
(M8x35mm)
Allen Bolt



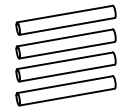
Bx6
(M8x20mm)
Allen Bolt



Cx9
(9mm)
Washer



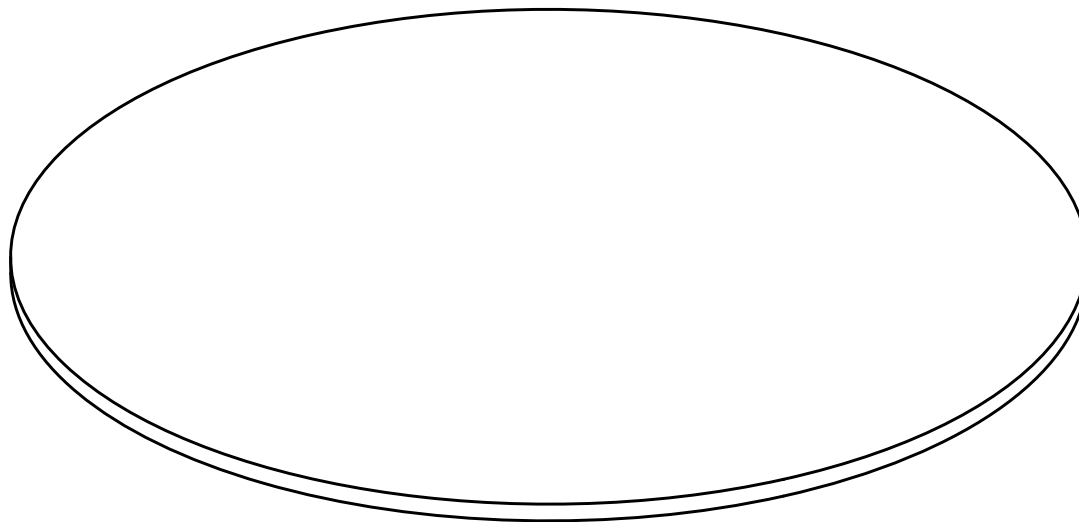
Dx1
(5mm)
Allen Key



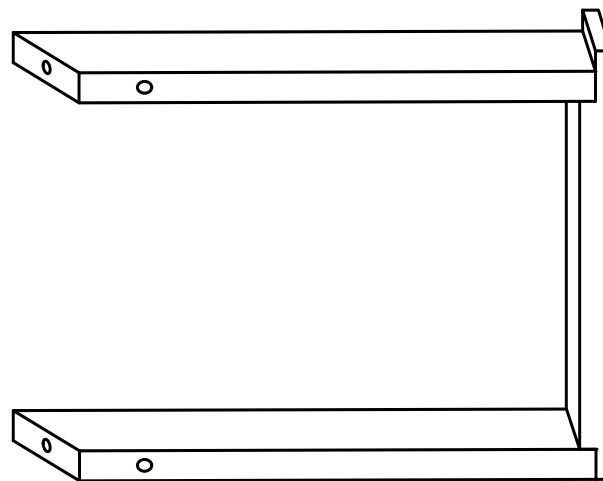
Ex4
Wooden Dowels

Parts

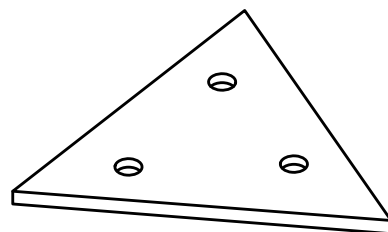
(F) Marble Top x1



(H) Wooden Leg x3



(G) Assembly Plate x2

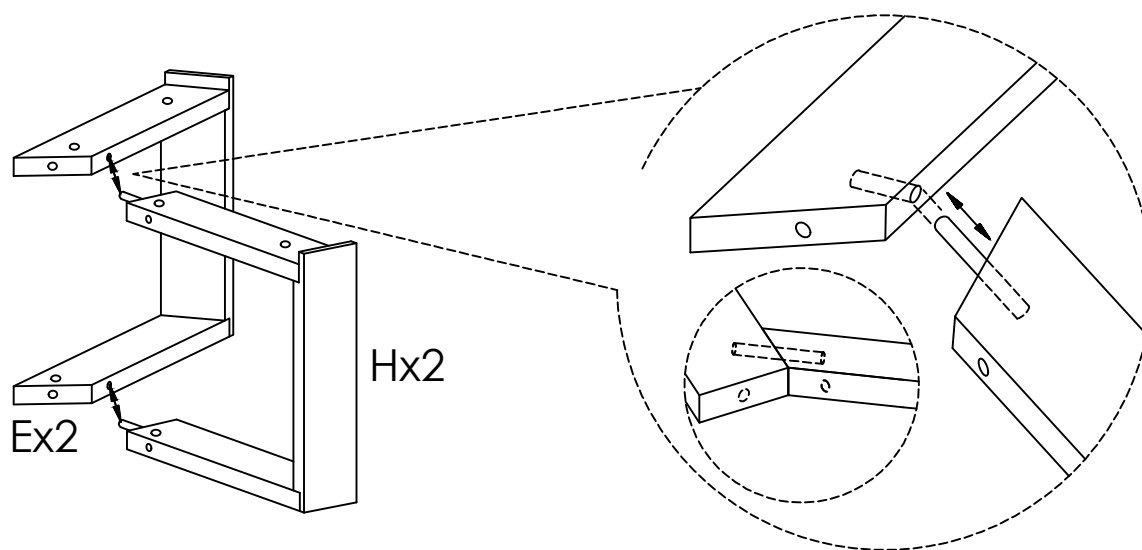


Hone Coffee Table

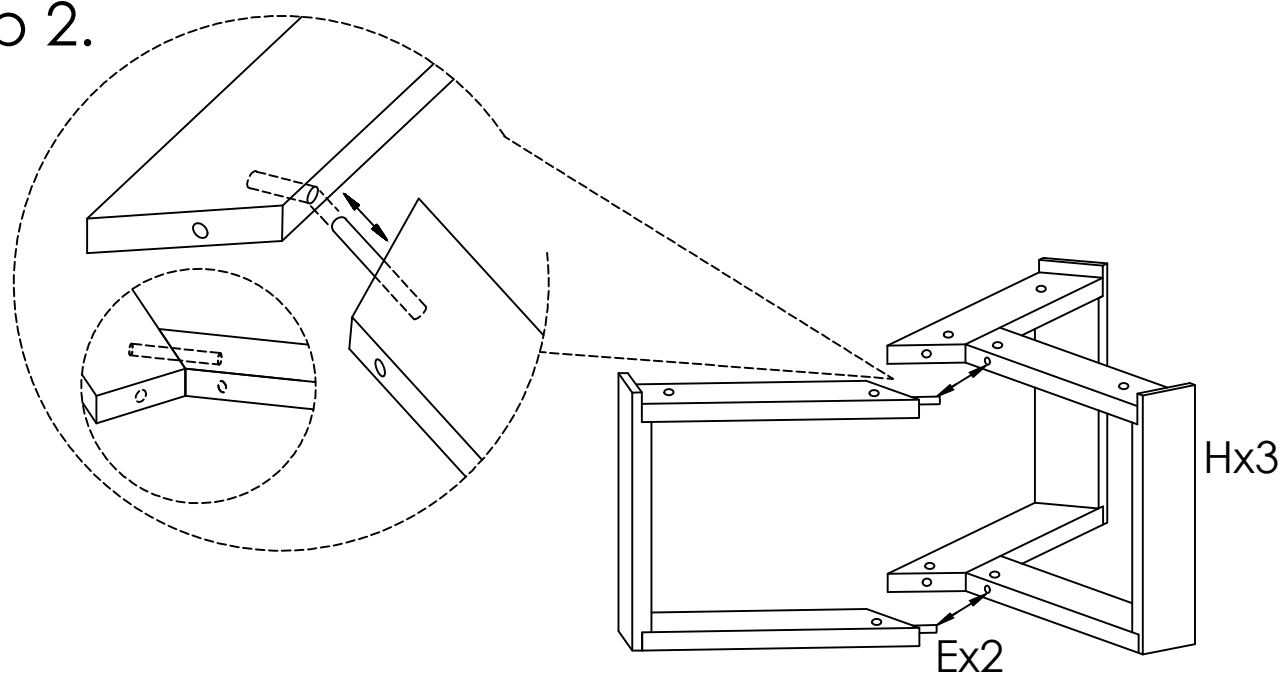
24244398,24244404

Step 1.

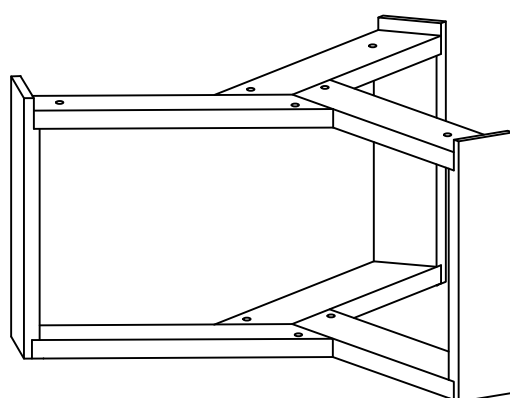
Please align all three legs (Part-H) with help of wooden dowels before fixing assembly plates (Part-G)



Step 2.



Step 3.

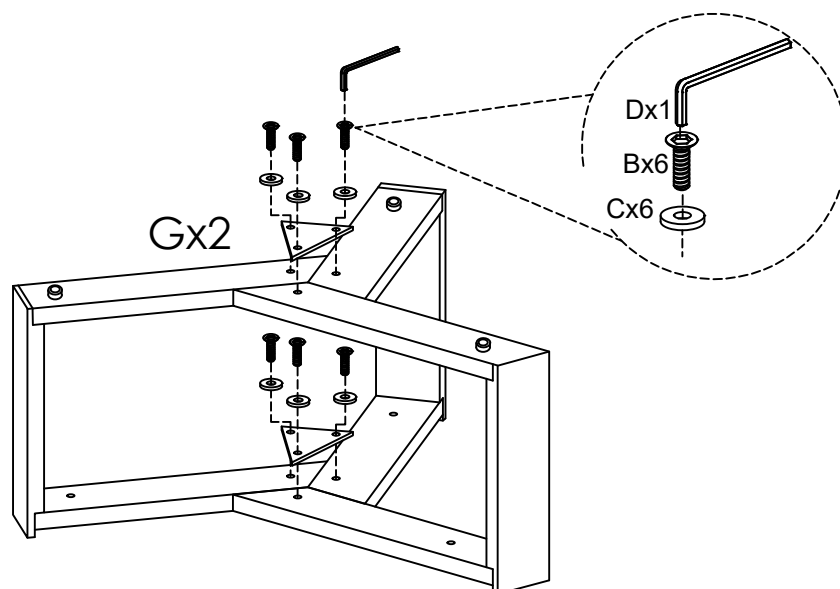


Hone Coffee Table

24244398,24244404

! Take care when orientating the unit, recommended 2 people to complete.

Step 4.



Step 5.

