

# BURROW BEDSIDE TABLE NATURAL

24246835

Thank you for purchasing the **Burrow Bedside Table Natural**. Before you begin to assemble your new piece of furniture, please check to ensure that all hardware and parts have been supplied. This page lists all contents included in the carton(s).

Follow instructions closely as deviation from them may present a possible safety risk and may void your warranty.

It is recommended that assembly is done on a soft surface such as carpet to avoid any damage. If you experience any problems with your new purchase, please contact Customer Service via the website [www.freedom.com.au](http://www.freedom.com.au) or [www.freedomfurniture.co.nz](http://www.freedomfurniture.co.nz)

## Care Information

- Use tablecloths, table runners and coasters to help protect surfaces from scratching. Certain ranges have a more raw appearance to accentuate their beauty and require extra care. These include white-wash finishes. Treat spills quickly with a damp cloth.
- Dust once a week using a soft cloth or similar duster.
- Use felt pads on the base of vases or similar items to avoid scratching. Be aware that certain materials such as rubber leg glides on electronic devices and vinyl can react with timber and mark it.
- Periodically check and re-tighten any fasteners.
- Although we test our finishes for resistance to heat and stains you should always avoid placing hot or wet items directly on the surface as they can leave marks which are difficult to remove. Where joints or veneers meet, it can cause swelling or splitting.
- Avoid direct sunlight, as this will cause colour change. If the furniture is in direct sunlight, move items like vases around to avoid spotting.
- Don't place potted plants on timber or veneers unless it is water tight or in a tray.
- Avoid supermarket polishes and waxes as many contain high levels of silicon and petroleum distillate which can damage the surface.
- Timber designed for indoor use should not be left outside. Its finish is not designed for use outdoors.

## Hardware (Supplied)



M8x75mm

(A) x 4



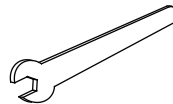
M8xØ14mm

(B) x 4



M8xØ20mm

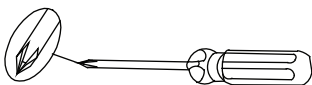
(C) x 4



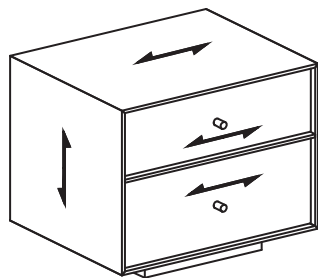
(D) x 1



## Tools Required (Not Supplied)



## Parts



① x 1

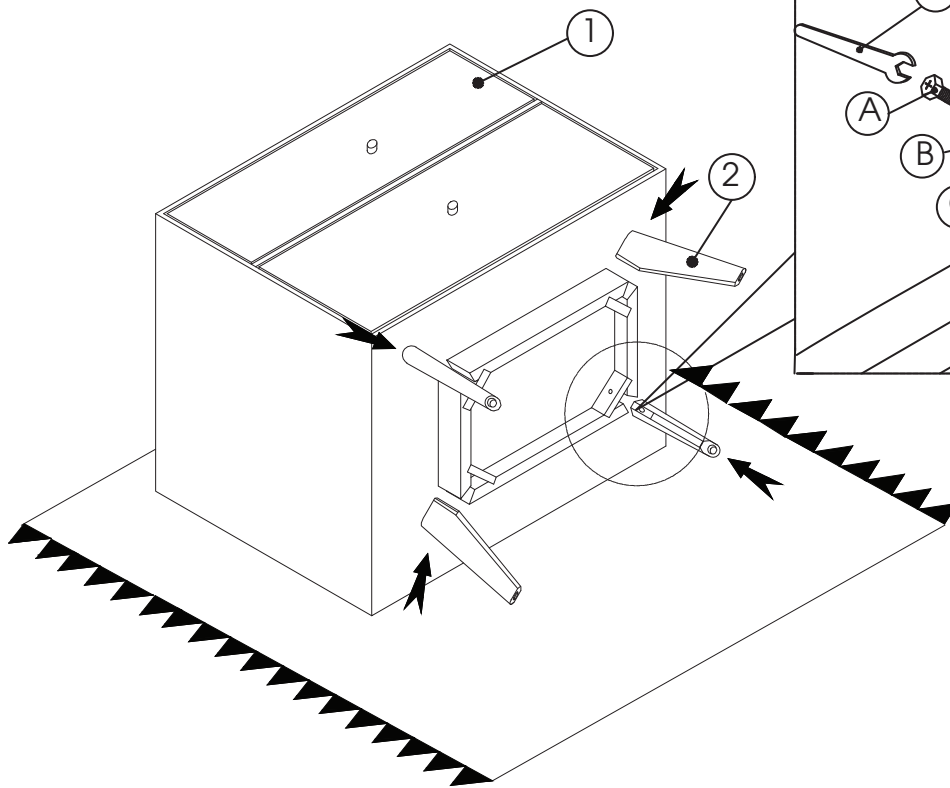


② x 4

# BURROW BEDSIDE TABLE NATURAL

24246835

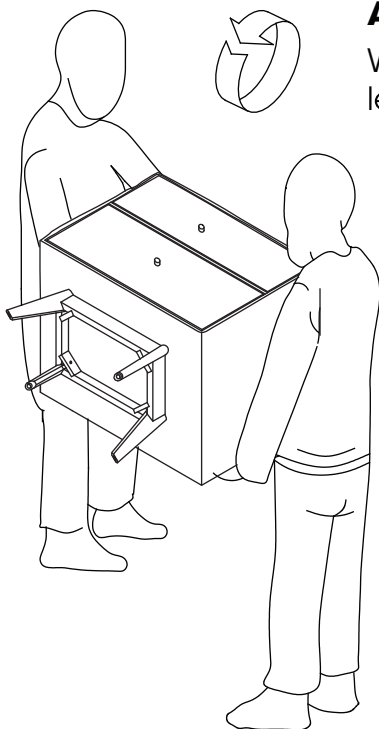
Step 1.



### Attention!

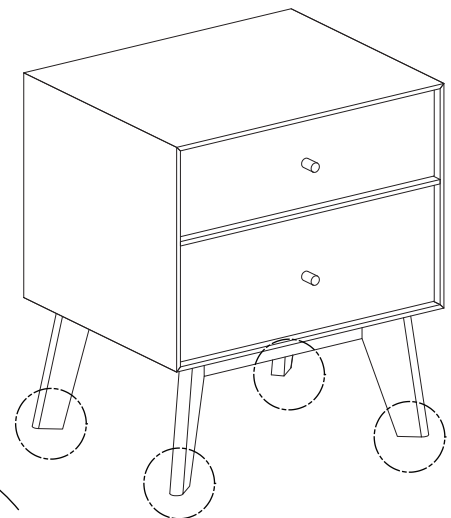
Carefully place item on a rug or similar to avoid damage.

Step 2.

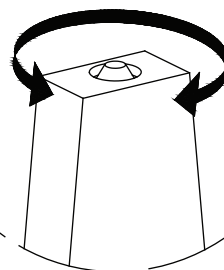


### Attention!

When Moving or rolling all legs need to be off ground



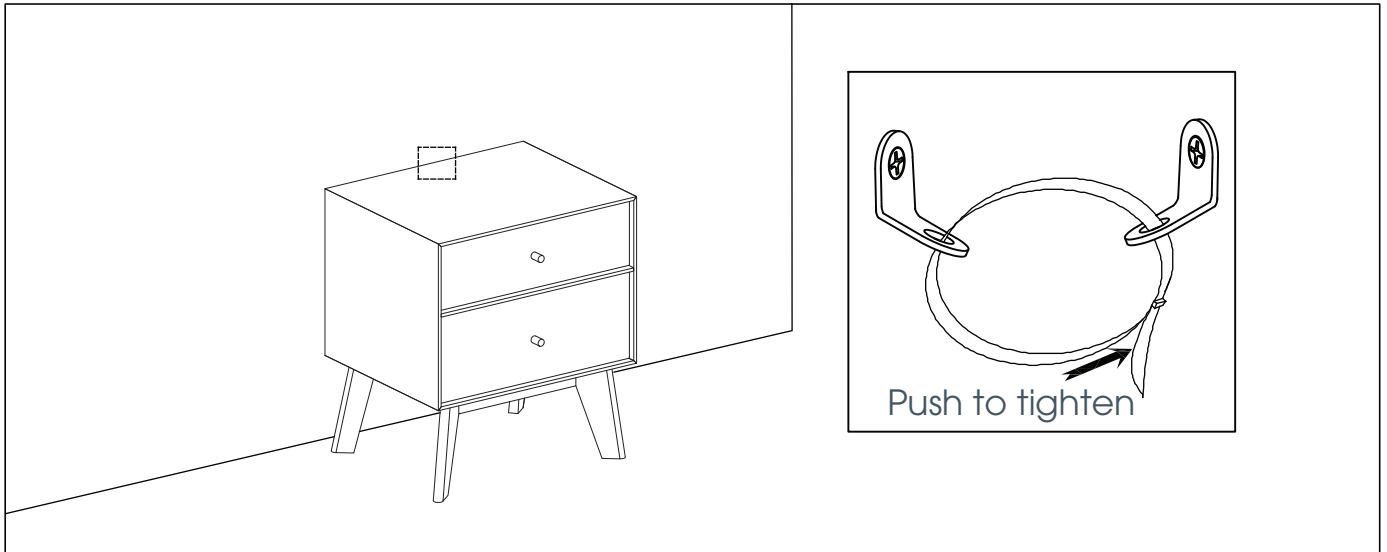
ADJUST  
FEET LEVELERS



# BURROW BEDSIDE TABLE NATURAL

24246835

Step 3.



FINAL STEP: Attach anti tilt strap or bracket to wall.

## WARNING:

To prevent your furniture from tilting forward and possibly causing property damage or personal injury it is recommended that you securely attach the anti-tilt straps or brackets provided to your wall using appropriate fixings.

## IMPORTANT:

- ☒ DO NOT place toys or other child appealing items on top of this furniture.
- ☒ AVOID fully opening all drawers at the same time.
- ☒ DO NOT ALLOW small children to climb on to Drawers,Shelves or to swing from open doors.

## CAUTION:

For your safety when attaching the anti-tilt fixings;

- ☒ Check for any electrical wires or plumbing inside the wall before drilling any holes. (if you are unsure please seek professional advice from qualified tradesman).
- ☒ Walls are constructed from different materials e.g.: Masonry (solid brick) or plaster board lined cavity walls (hollow).

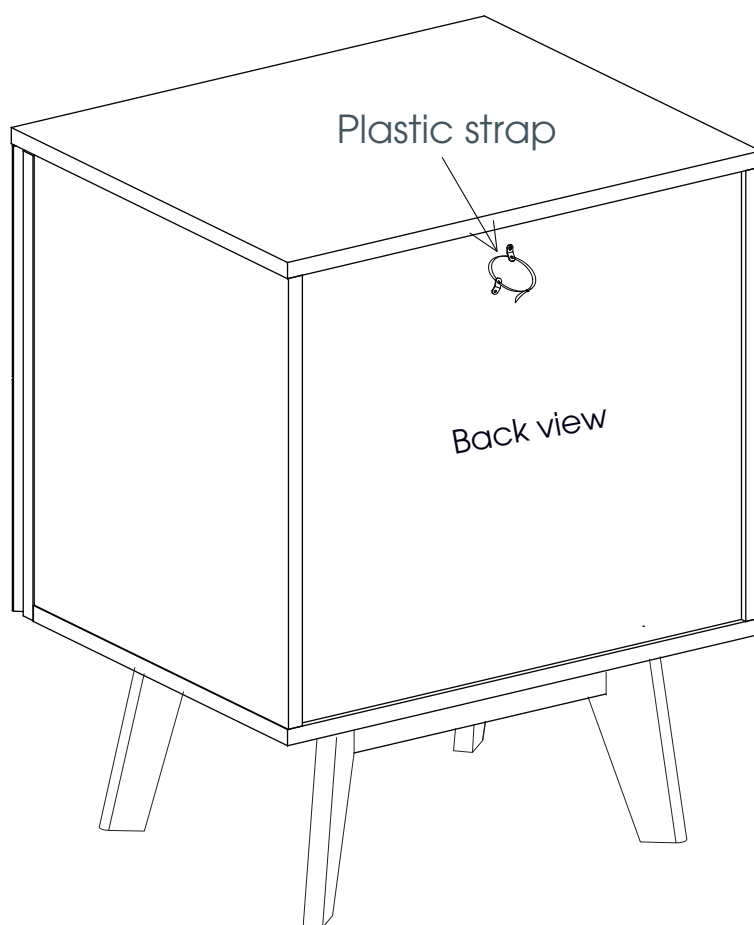
It is important that you use the appropriate wall fixing for your wall type.

**(Your local hardware store will have the necessary drills and fixings, and can offer advice if needed.)**

# BURROW BEDSIDE TABLE NATURAL

24246835

Step 4.



Step 5.

