

# Abbotts Occasional Chair

## 24247719

Thank you for purchasing the Abbotts Occasional Chair. Before you begin to assemble your new piece of furniture, please check to ensure that all hardware and parts have been supplied. This page lists all contents included in the carton(s).

Follow instructions closely as deviation from them may present a possible safety risk and may void your warranty.

It is recommended that assembly is done on a soft surface such as carpet to avoid any damage.

If you experience any problems with your new purchase, please phone Freedom Customer Service (FCS) on 1300 135 588 (Australia) or 0800 469 327 (New Zealand).

### Care information

#### Wicker Care

##### DO

Vacuum regularly using an upholstery attachment. Hard-to-reach places can be cleaned with small brushes.

Wipe down with a damp soft clean cloth weekly

Clean stains using very mild solution of soap, a small amount of vinegar and warm water. A toothbrush can assist in application. Test in an inconspicuous area first and dry thoroughly.

Keep out of direct sunlight to avoid excessive fading.

##### DO NOT

Allow the wicker or rattan to get wet or damp – mould and mildew can affect natural materials.

Place these items outside – these natural materials are intended for indoor use and will suffer from sunlight and rain.

Sharp objects can cause the material to split.

#### Timber Care:

##### DO

Use tablecloths, table runners and coasters to help protect surfaces from scratching. Certain ranges have a more raw appearance to accentuate their beauty and require extra care. These include white-wash finishes

Treat spills quickly with a damp cloth

Dust once a week using a soft cloth or similar duster. Dust in the direction of the grain where possible

Use felt pads on the base of vases or similar items to avoid scratching. Be aware that certain materials such as rubber leg glides on electronic devices and vinyl can react with timber and mark it.

Only use recommended care products as many supermarket polishes and waxes contain high levels of silicon and petroleum distillate which can damage the surface. Freedom recommends using the [Indoor Timber Protection Kit](#). This kit comes with a cleanser/conditioner, a protective cream and reusable microfibre cloth.

Periodically check and re-tighten any fasteners.

##### DO NOT

Although we test our finishes for resistance to heat and stains you should always avoid placing hot or wet items directly on the surface as they can leave marks which are difficult to remove. Where joints or veneers meet, it can cause swelling or splitting

Avoid direct sunlight, as this will cause colour change. If the furniture is in direct sunlight, move items like vases around to avoid spotting.

Don't place potted plants on timber or veneers unless it is water tight or in a tray

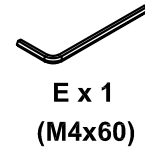
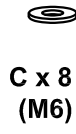
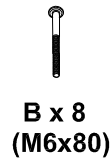
Avoid applying too much care product as this will build up and need to be removed with a wood-cleaning product. Avoid supermarket polishes and waxes as many contain high levels of silicon and petroleum distillate which can damage the surface.

Timber designed for indoor use should not be left outside. Its finish is not designed for use outdoors.

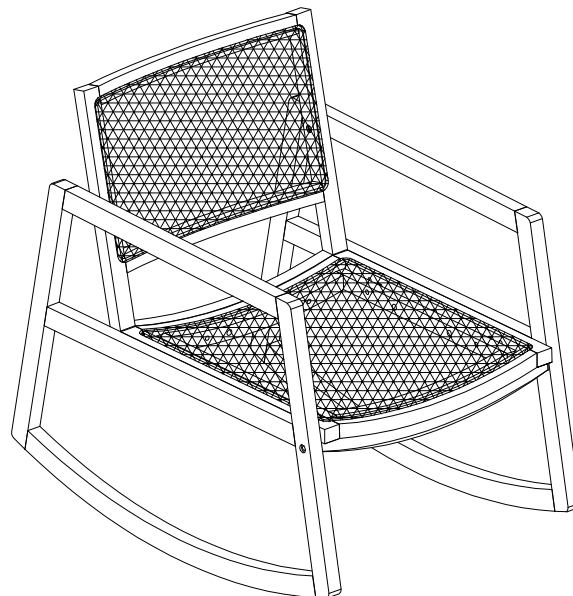
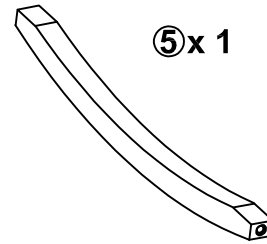
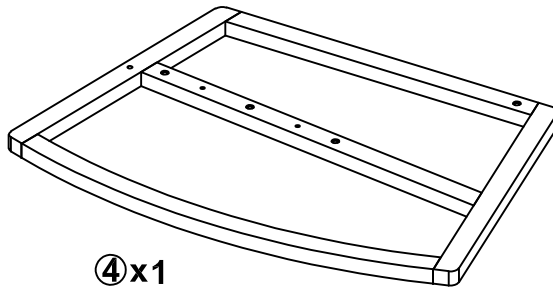
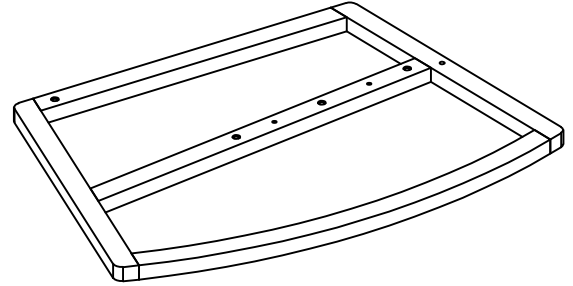
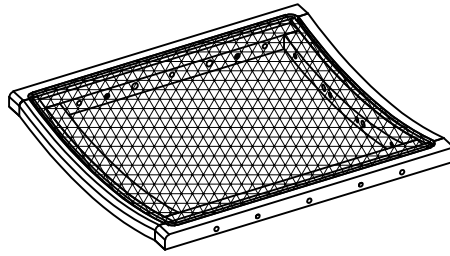
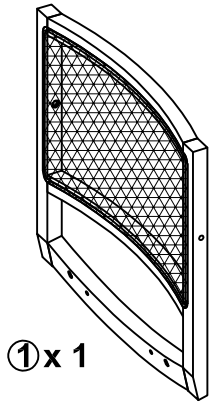
# Abbotts Occasional Chair

## 24247719

### Hardware



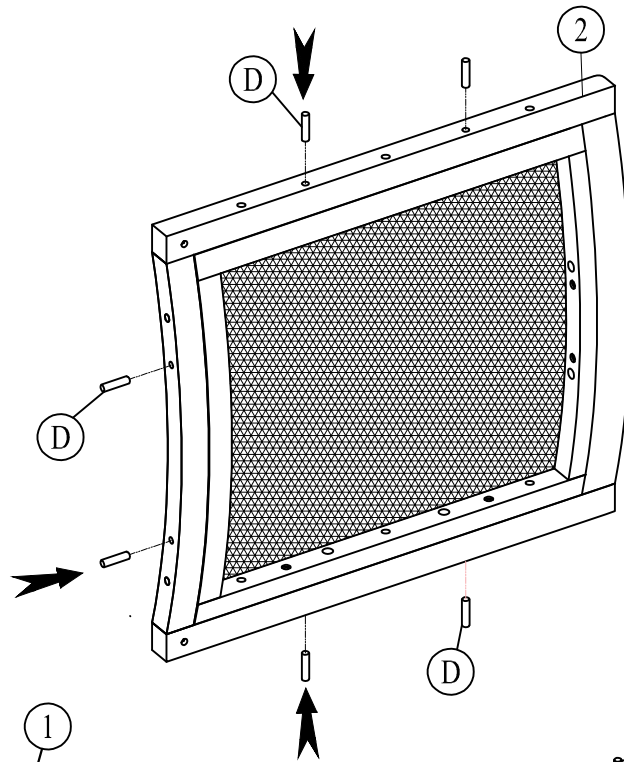
### Parts list



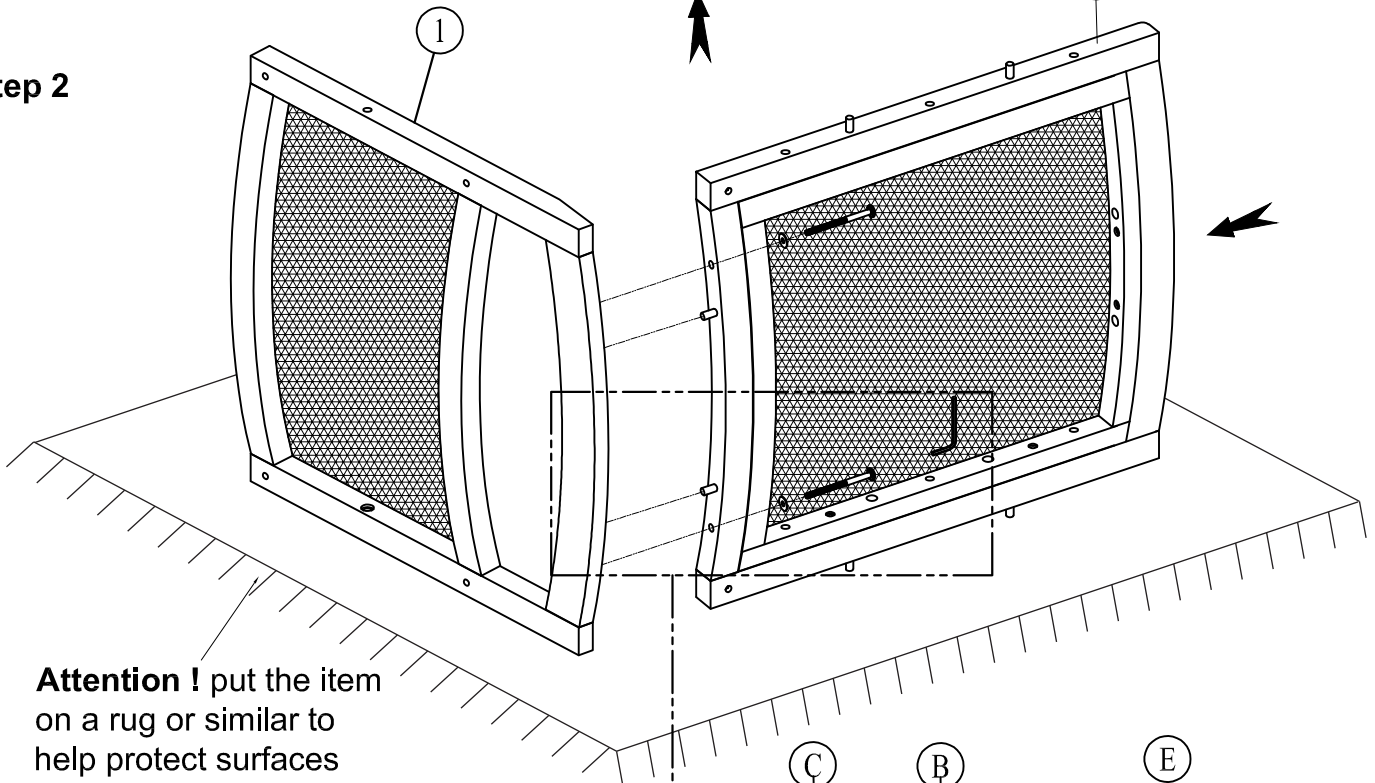
# Abbotts Occasional Chair

## 24247719

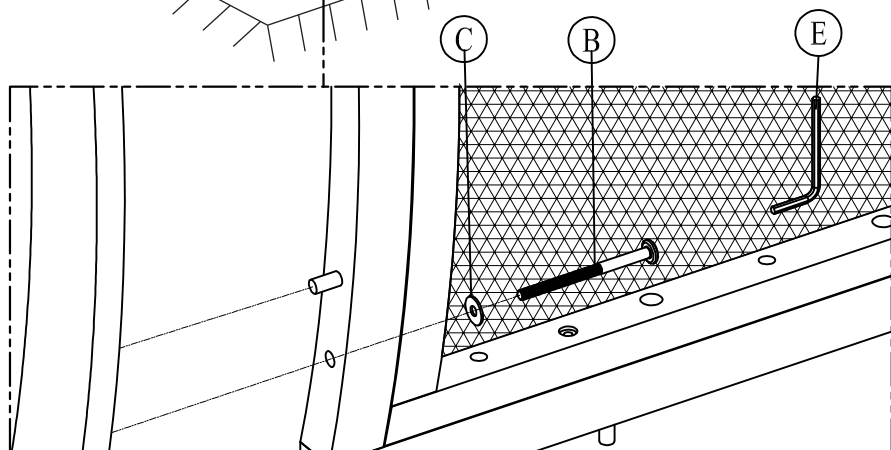
Step 1



Step 2



**Attention !** put the item on a rug or similar to help protect surfaces from scratching



# Abbotts Occasional Chair

## 24247719

### Step 3

