

Zanzibar LAF Mod 3S Charcoal 24273183

Remove cushions
when not in use



Thank you for purchasing the **Zanzibar LAF Mod 3S Charcoal**. Before you begin to assemble your new piece of furniture, please check to ensure that all hardware and parts have been supplied. This page lists all contents included in the carton(s).

Follow instructions closely as deviation from them may present a possible safety risk and may void your warranty.

It is recommended that assembly is done on a soft surface such as carpet to avoid any damage.

If you experience any problems with your new purchase, please phone Freedom Customer Service (FCS) on 1300 135 588 (Australia) or 0800 469 327 (New Zealand).

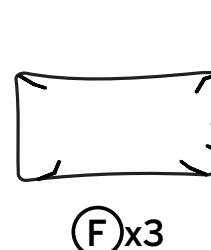
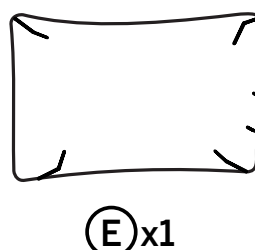
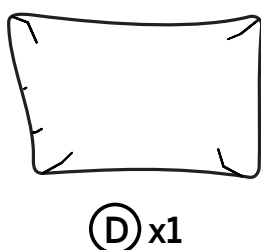
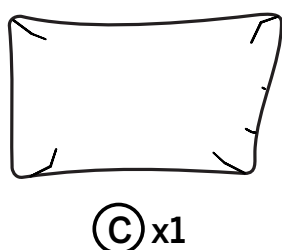
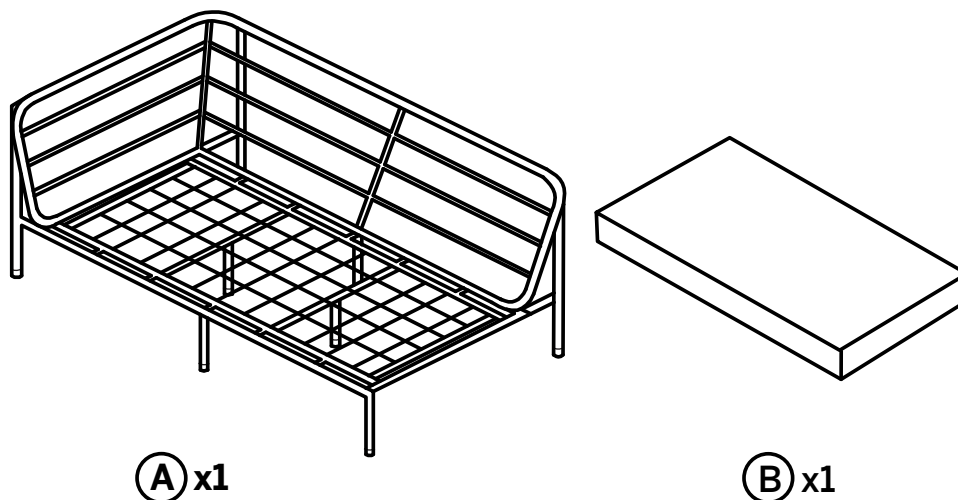
Care Information

This product is suitable for Full Outdoor Use - Remove Cushion When Not In Use

This refers to sofas and pieces where the furniture can be kept outdoors. Take care to remove cushions and store inside or in a dry area when not in use. Please read the care label for more information.

- Furniture made with polyester, man-made wickers and aluminium can be simply washed down with warm soapy water and left to dry naturally. Do this at least twice a year.
- To prolong the products life span, store in a dry location when not in use or during periods of inclement weather.

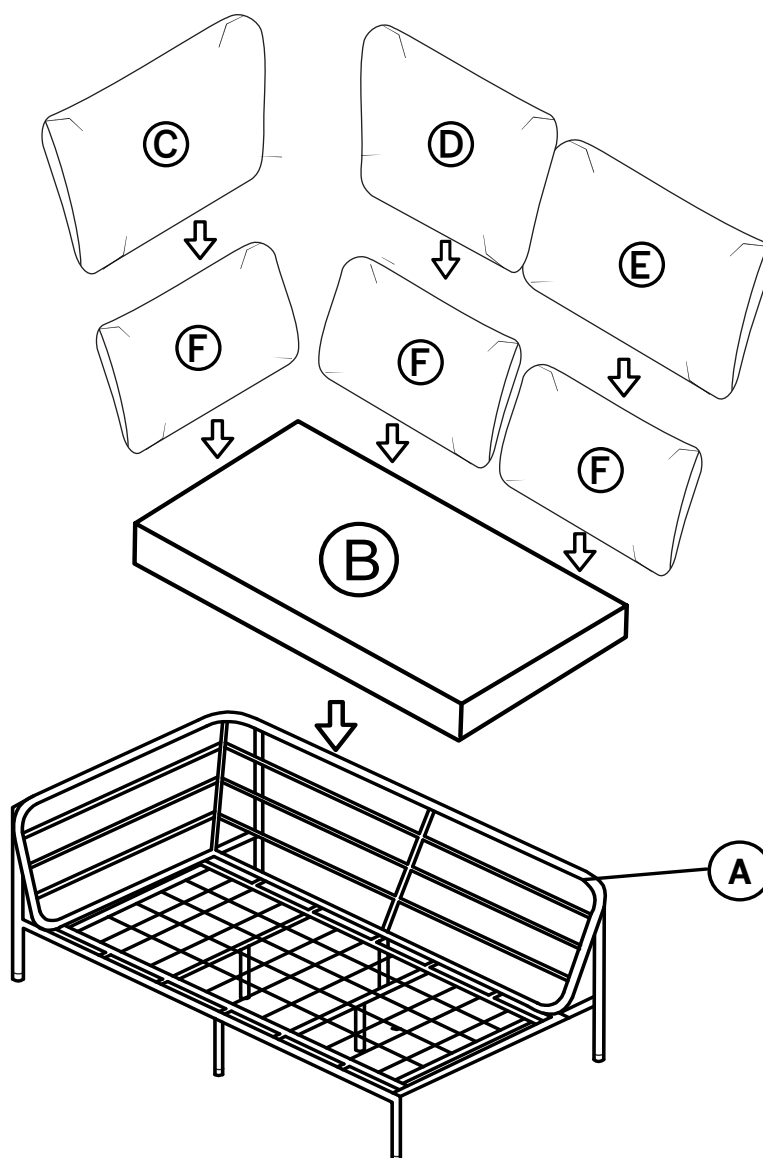
Parts



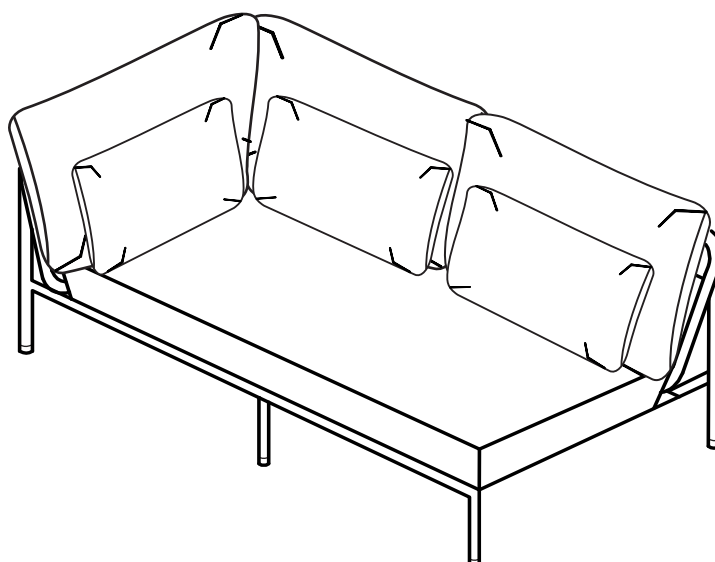
Zanzibar RAF Mod 3S Charcoal

24273176

Step 1



Finished



Zanzibar RAF Mod 3S Charcoal

24273176

User manual

