

AMBASSADOR SIDE TABLE NATURAL

24284677 / 24284660

Thank you for purchasing the **Ambassador Side Table**. Before you begin to assemble your new piece of furniture, please check to ensure that all hardware and parts have been supplied. This page lists all contents included in the carton(s).

Follow instructions closely as deviation from them may present a possible safety risk and may void your warranty.

It is recommended that assembly is done on a soft surface such as carpet to avoid any damage. If you experience any problems with your new purchase, please contact Customer Service via the website www.freedom.com.au or www.freedomfurniture.co.nz

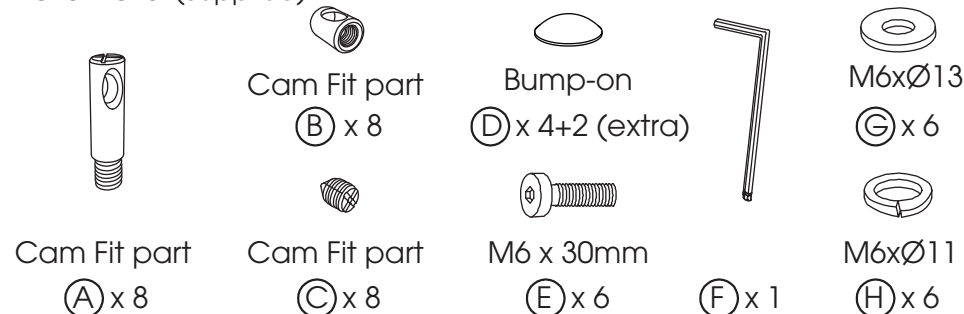
Care Information

- Use tablecloths, table runners and coasters to help protect surfaces from scratching. Certain ranges have a more raw appearance to accentuate their beauty and require extra care. These include white-wash finishes. Treat spills quickly with a damp cloth.
- Dust once a week using a soft cloth or similar duster.
- Use felt pads on the base of vases or similar items to avoid scratching. Be aware that certain materials such as rubber leg glides on electronic devices and vinyl can react with timber and mark it.
- Periodically check and re-tighten any fasteners.
- Although we test our finishes for resistance to heat and stains you should always avoid placing hot or wet items directly on the surface as they can leave marks which are difficult to remove. Where joints or veneers meet, it can cause swelling or splitting.
- Avoid direct sunlight, as this will cause colour change. If the furniture is in direct sunlight, move items like vases around to avoid spotting.
- Don't place potted plants on timber or veneers unless it is water tight or in a tray.
- Avoid supermarket polishes and waxes as many contain high levels of silicon and petroleum distillate which can damage the surface.
- Timber designed for indoor use should not be left outside. Its finish is not designed for use outdoors.

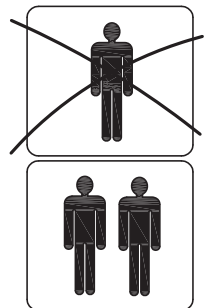
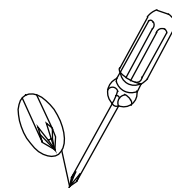
GLASS WARNING

The glass used in our current table range is known as tempered glass. Although it is up to four times tougher than regular glass, it is not unbreakable. Tempered glass should be cared for like normal glass. Careless handling or use sometimes produces damage which may not be visible to the eye. Damaged glass may spontaneously shatter if subjected to thermal or mechanical stress. Avoid dropping objects on the glass. Do not allow hard or pointed objects to come into contact.

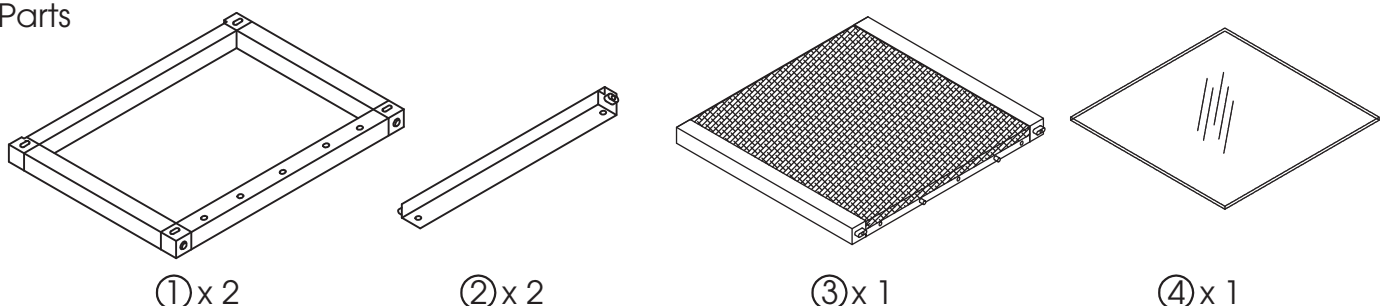
Hardware (Supplied)



Tools Required (Not supplied)



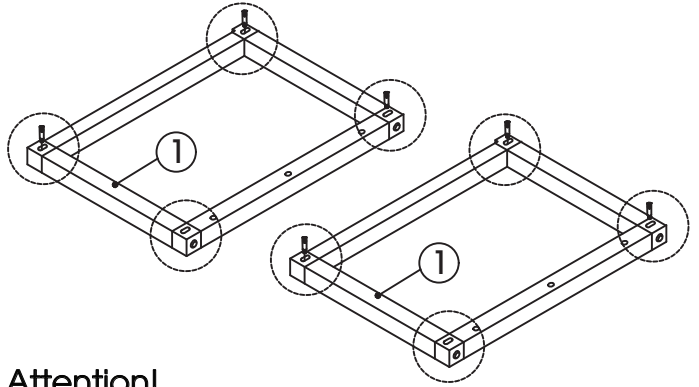
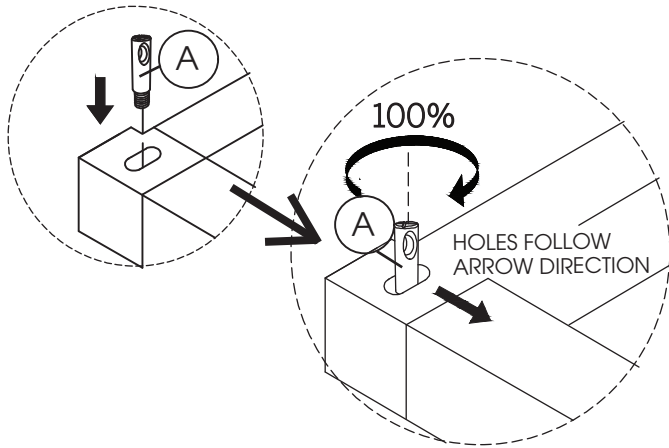
Parts



AMBASSADOR SIDE TABLE NATURAL

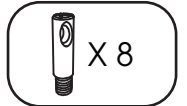
24284677 / 24284660

Step 1.

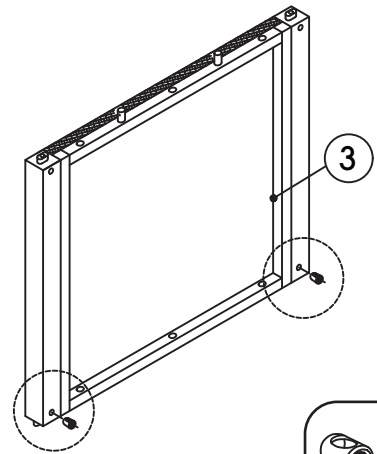
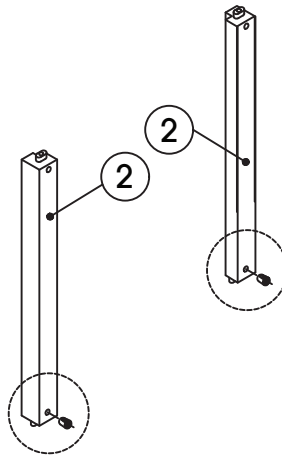
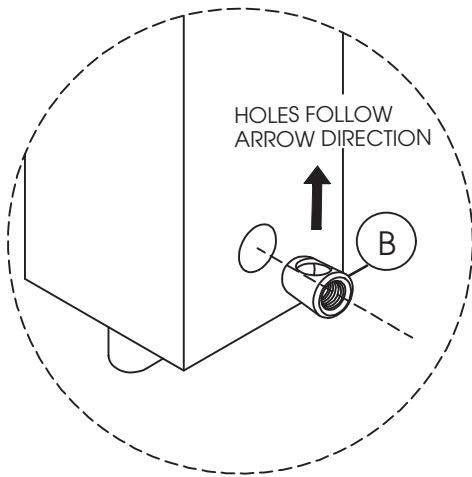


Attention!

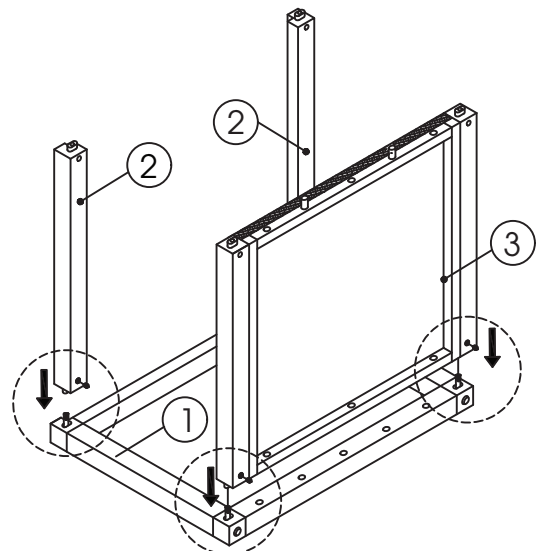
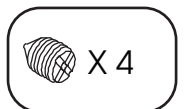
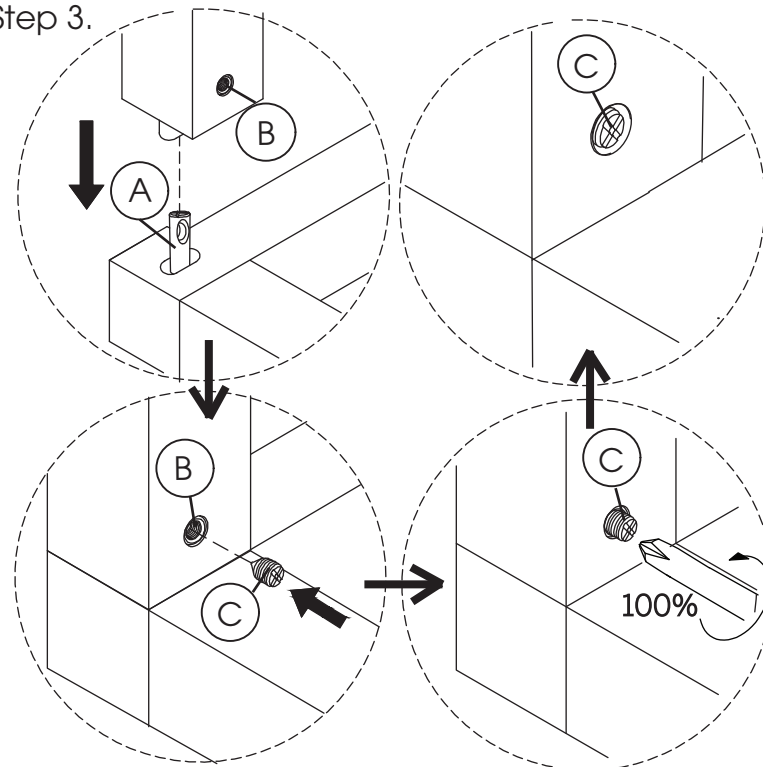
Carefully place item on a rug or similar to avoid damage.



Step 2.



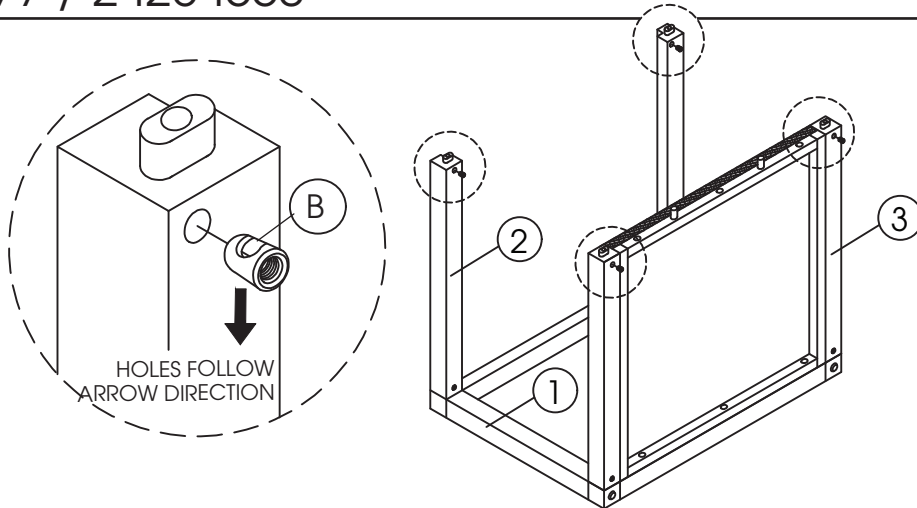
Step 3.



AMBASSADOR SIDE TABLE NATURAL

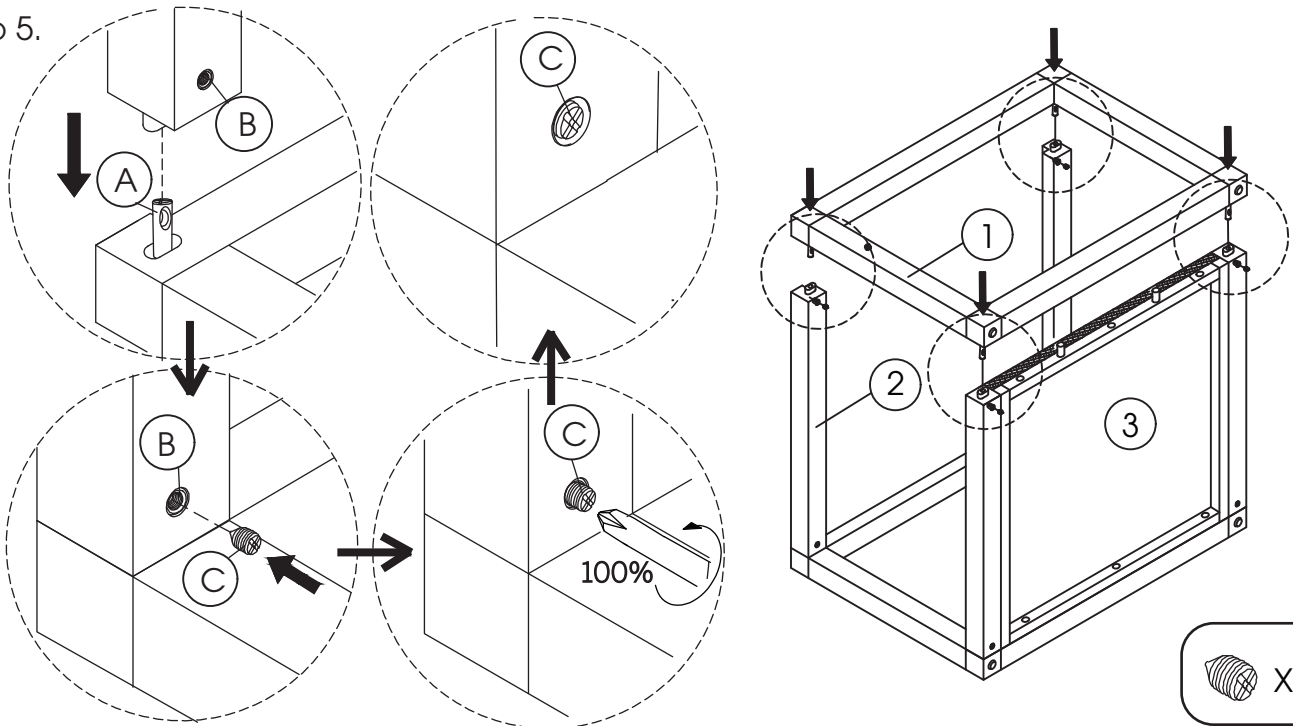
24284677 / 24284660

Step 4.



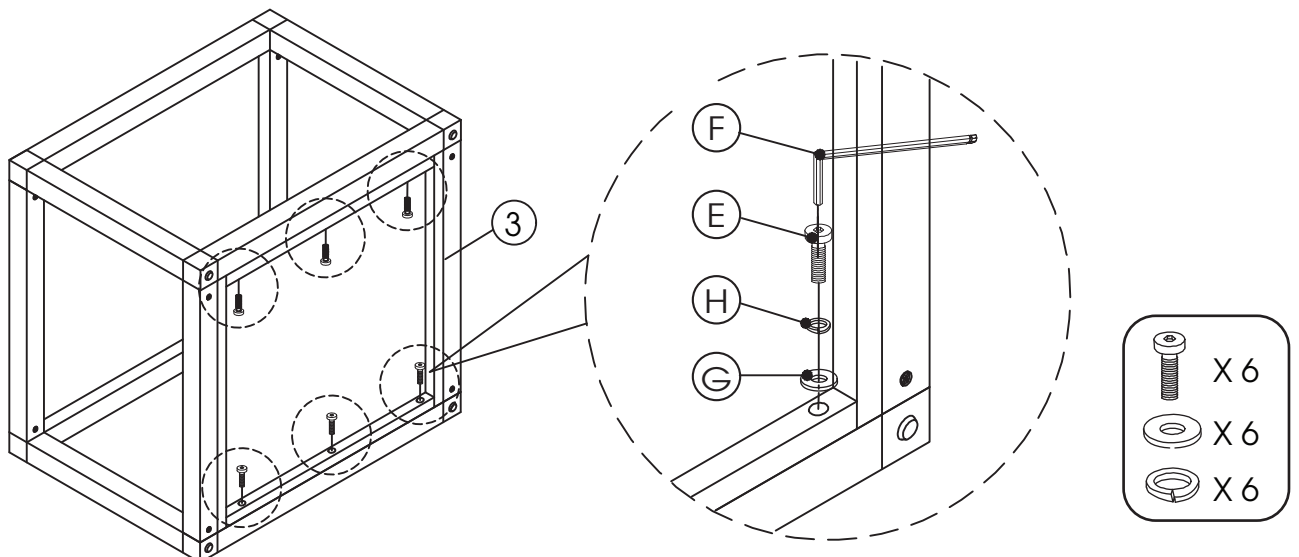
 X 4




Step 5.



 X 4

Step 6.



 X 6
 X 6
 X 6

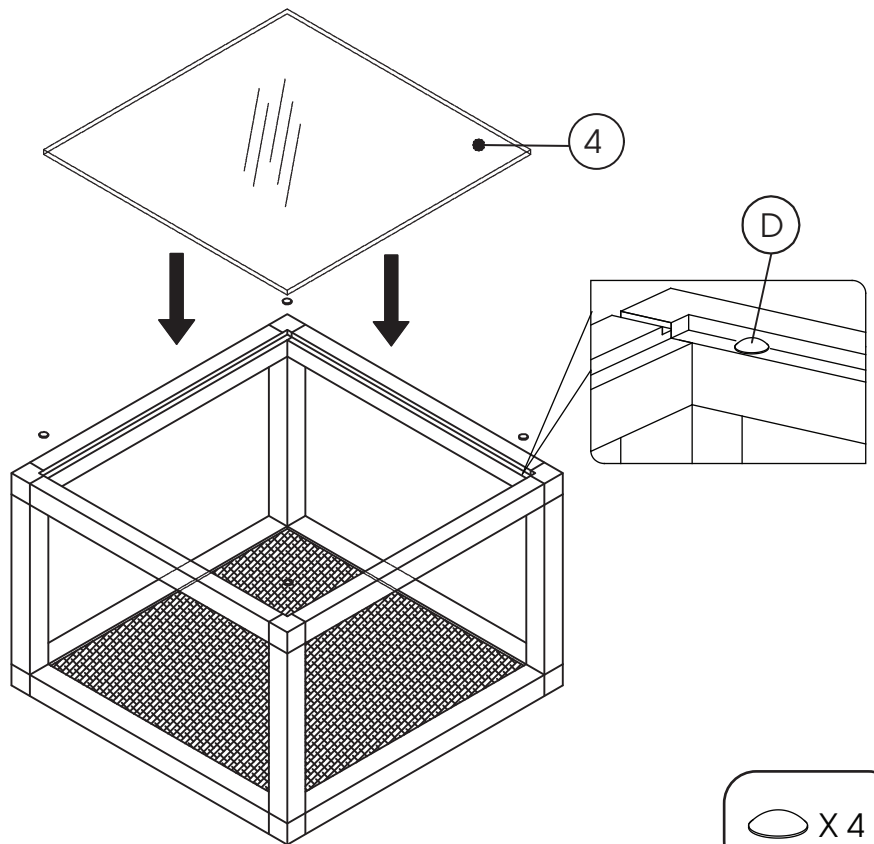
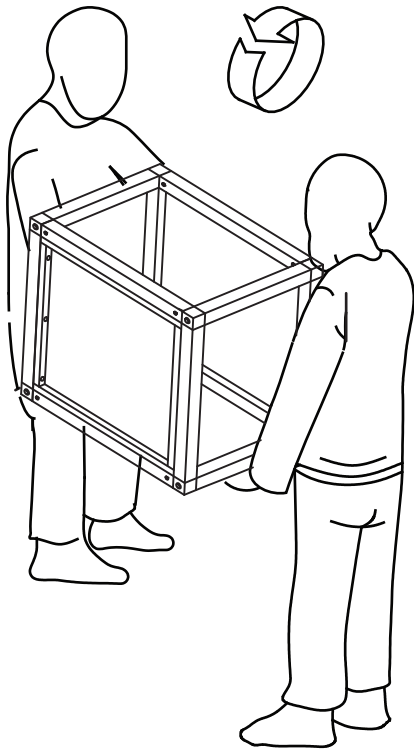
AMBASSADOR SIDE TABLE NATURAL

24284677 / 24284660

Step 7.

Attention.

When moving or rolling all legs need to be off ground.



Step 8.

