

# GLARONISI PENDANT MEDIUM NATURAL

## 24299213

Thank you for purchasing the GLARONISI PENDANT MEDIUM NATURAL. Before you begin to assemble your new ceiling pendant, please check to ensure that all hardware and parts have been supplied. This page lists all contents included in the carton(s).

Follow instructions closely as deviation from them may present a possible safety risk and may void your warranty.

It is recommended that assembly is done on a soft surface such as carpet to avoid any damage.

If you experience any problems with your new purchase, please contact Freedom Customer Service via [livechat@freedom.com.au](mailto:livechat@freedom.com.au) (Australia) or 0800 469 327 (New Zealand).

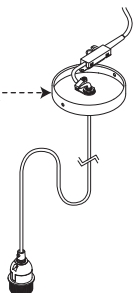

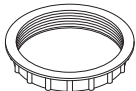
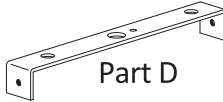
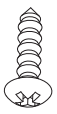
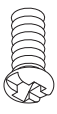
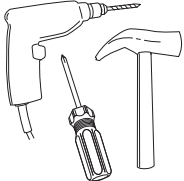
### Care Information

Wipe down surfaces with a clean cloth weekly.

### Replacing the bulb:

Switch the power off at the mains and allow the bulb and ceiling pendant to cool down before replacing.

Globe: E27, MAX 60W (CFL 13W)X1 required (not included).

<b>Parts:</b>  Part A  Part B  Part C  Part D	<b>Hardware:</b>  Part E x 2  Part F x 2	<b>Tools:</b>  NOT INCLUDED
---	--	---

This fitting must be installed by a qualified electrician in accordance with the latest AS/NZS 3000 and relevant amendments

### Specifications:

**Voltage : 220-240V a.c. 50Hz**

**Model No.: 24299213**

**1 x E27 60W MAX**

**(Not included)**

**Construction : Class II**

**Weight : 0.6 kgs**

**MADE IN THE PHILIPPINES**

For your safety:.

- \* To prevent electric shock ensure that power is disconnected before installing.
- \* During use the light shade and/ or light assembly becomes hot. Do not touch any part of the light assembly when it's hot and while it's "ON".
- \* Be aware of the height of your installation. Refer to "Working on heights" guide from your local Worksafe Authorities.
- \* Any alteration or additions to building wiring must be done by a licenced electrician or person authorised by legislation to work on the fixed wiring of any electrical installation.
- \* Ensure the mounting surface is strong enough to hold the weight of the pendant.
- \* Unpack the product carefully and dispose of the packaging material thoughtfully.
- \* The pendant is pre-assembled and it is ready for installation.

Installation instructions:

1. Use screws "E" provided and suitable fixture system to secure the mounting to the ceiling.
2. Connect the Active (L) and Neutral (N) according to the markings on the Terminal Block.
3. Follow the step ① on page 2 to complete the rest of the steps.
4. Finish the assembly.

### IMPORTANT INFORMATION ON CEILING FIXING HARDWARE:

The installer must ensure they use appropriate fixture systems such as wall plugs to suit the installation and lamp.

