

Claremont Dining Table

Assembly Instructions

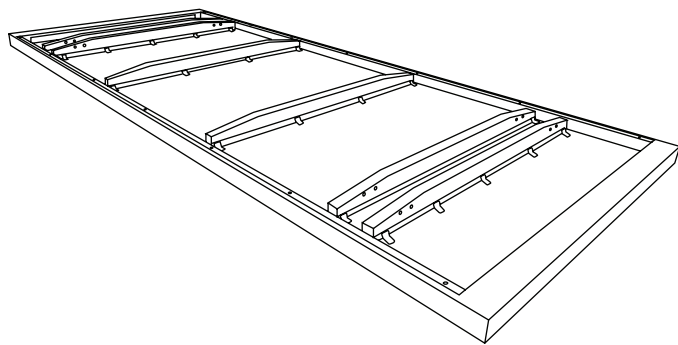
FREEDOM

Thank you for purchasing the Australian designed and made Claremont Dining Table. Before you begin to assemble your new piece of furniture, please follow the below instructions on how to prepare your dining table so it looks the part.

If you experience any problems with your new purchase, please contact Freedom Customer Service via livechat@freedom.com.au (Australia) or 0800 469 327 (New Zealand).

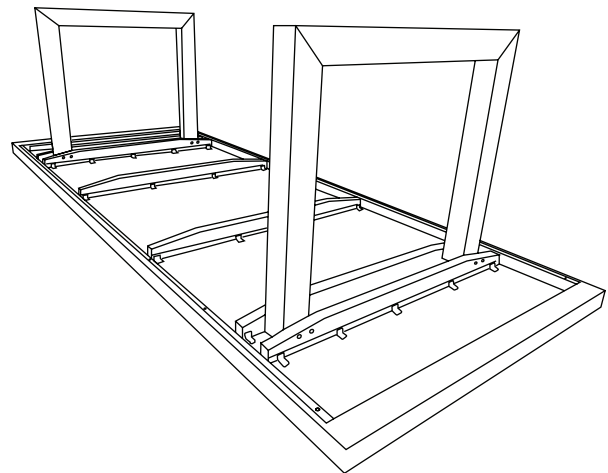
Step 1

Leave table upside down in box for leg assembly.



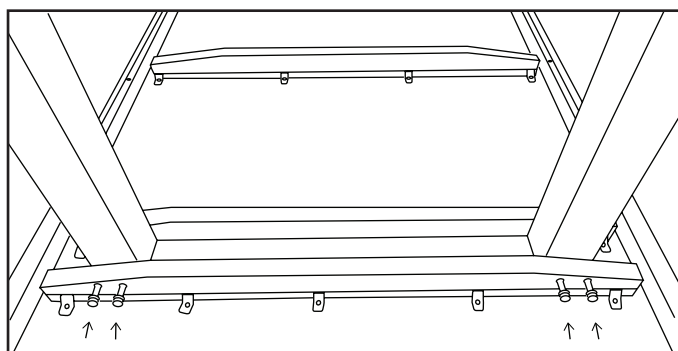
Step 2

Place legs between rails lining up bolt holes.



Step 3

Using bolts provided, tighten bolts to legs.
DO NOT OVER TIGHTEN.



**TAKE CARE WHEN
HANDLING!**
Requires 2-4 people
for assembly.