

# Milford Dining Table

24272896

Thank you for purchasing the Milford Dining Table. Before you begin to assemble your new piece of furniture, please check to ensure that all hardware and parts have been supplied. The following page lists all contents included in the carton(s).

Follow instructions closely as deviation from them may present a possible safety risk and may void your warranty.

It is recommended that assembly is done on a soft surface such as carpet to avoid any damage.

If you experience any problems with your new purchase, please phone Freedom Customer Service (FCS) on 1300 135 588 (Australia) or 0800 469 327 (New Zealand).

## Care Information

### DO

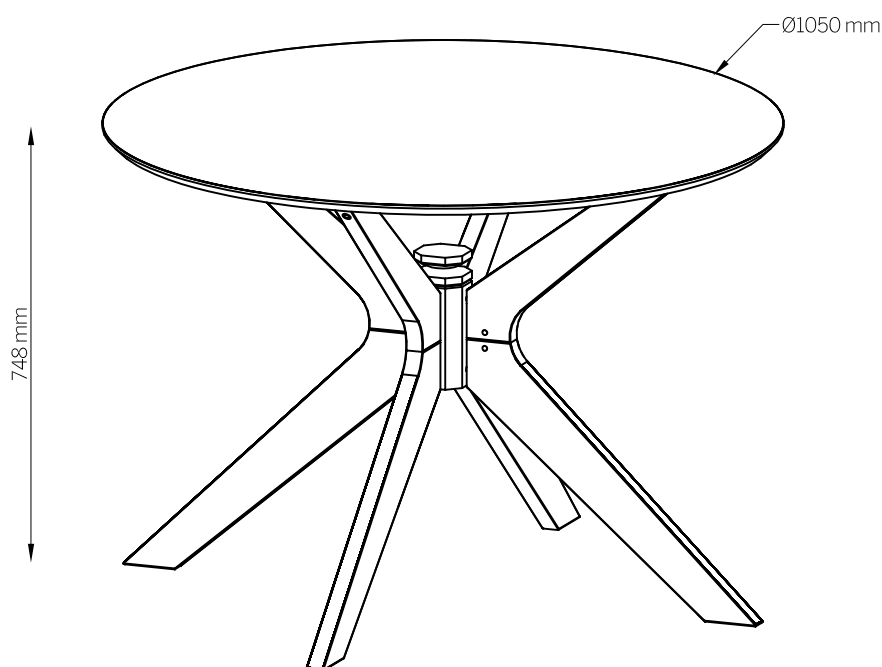
- Use tablecloths, table runners and coasters to help protect surfaces from scratching.
- Dust once a week using a soft cloth or similar duster.
- Only use freedom recommended care products as many supermarket polishes and waxes contain high levels of silicon and petroleum distillate which can damage the surface.
- Polish your furniture every 3 to 6 months, making sure the surface is free from dust before you start.

### DON'T

- Avoid placing hot or wet items directly on the surface as they can leave marks which are difficult to remove.
- Avoid direct sunlight, as this will cause colour change. If the furniture is in direct sunlight, move items like vases around to avoid spotting.
- Avoid applying too much polish as this will build up and need to be removed with a wood-cleaning product

### GENERAL

Periodically check and re-tighten all fasteners. When moving furniture always lift it rather than drag it.

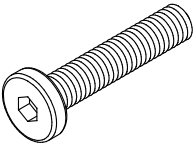
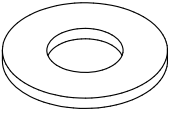
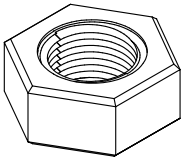
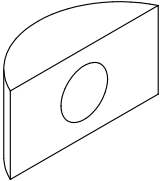
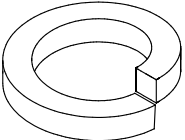
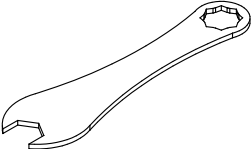
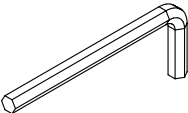
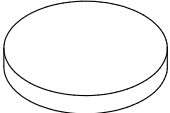


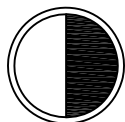
045 Draft

# Milford Dining Table

24272896

## Hardware (Supplied)

A x 4  M6x30 mm	B x 4  Ø6/Ø12 mm	C x 8  M8/13 mm	D x 8  27x14x6,5 mm
E x 8  Ø8 mm	F x 1  13 mm	G x 1  4 mm	H x 4  Ø20x3 mm



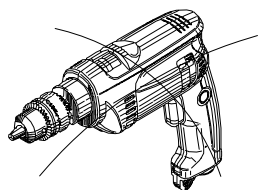
30  
min



This assembly requires  
two persons

## Tools Required (Not Supplied)

DO NOT USE A  
POWERDRILL  
TO COMPLETE ASSEMBLY

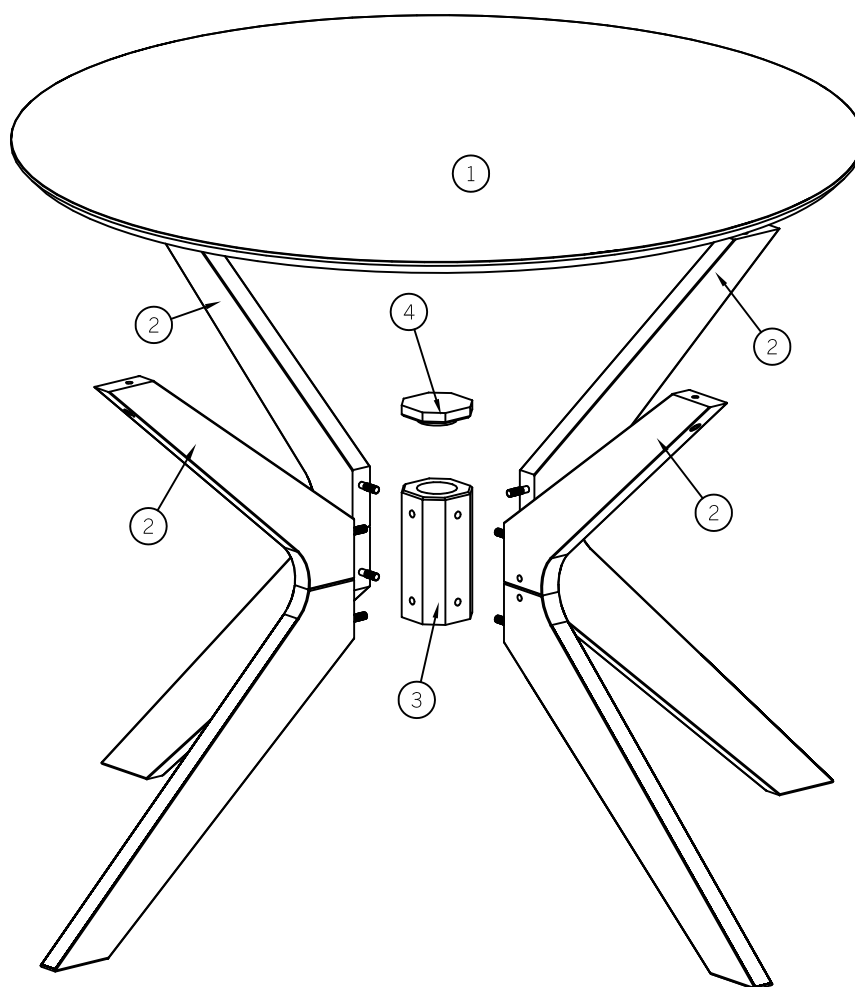


# Milford Dining Table

24272896

## Parts

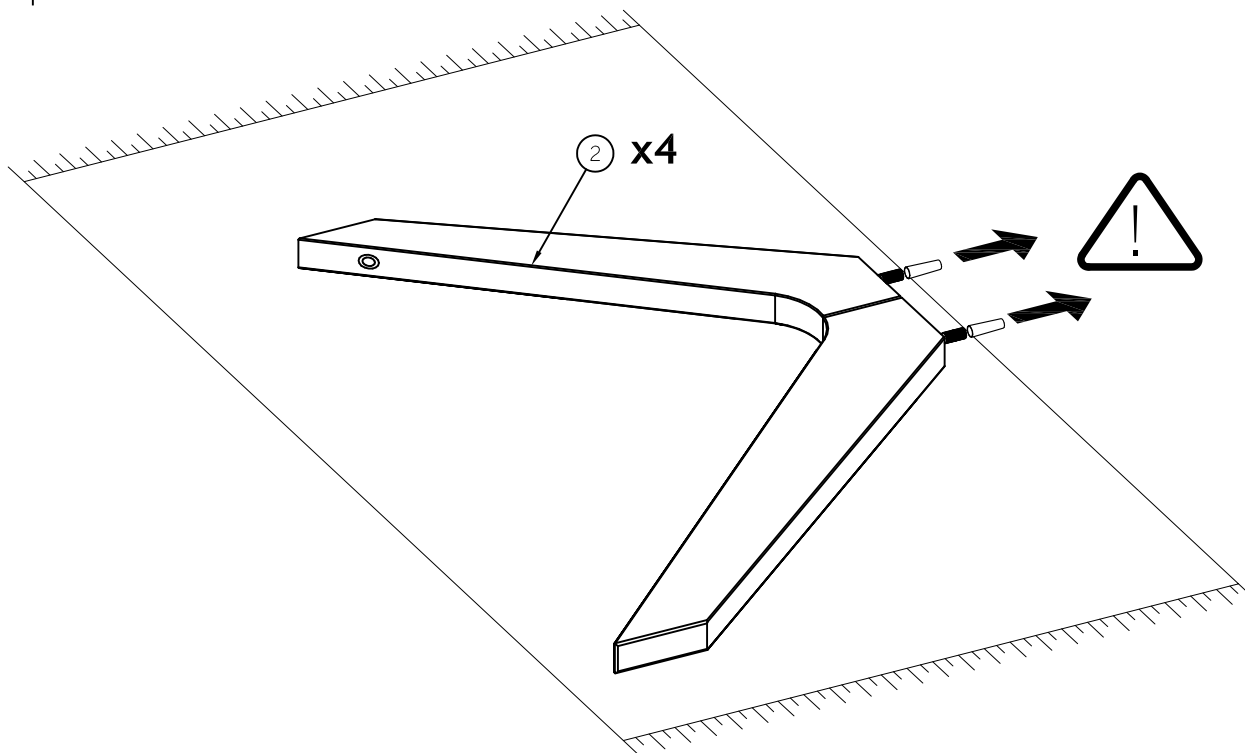
			✓
1	1	1050x1050x18	
2	4	730x481x28	
3	1	163x80x80	
4	1	80x80x22	



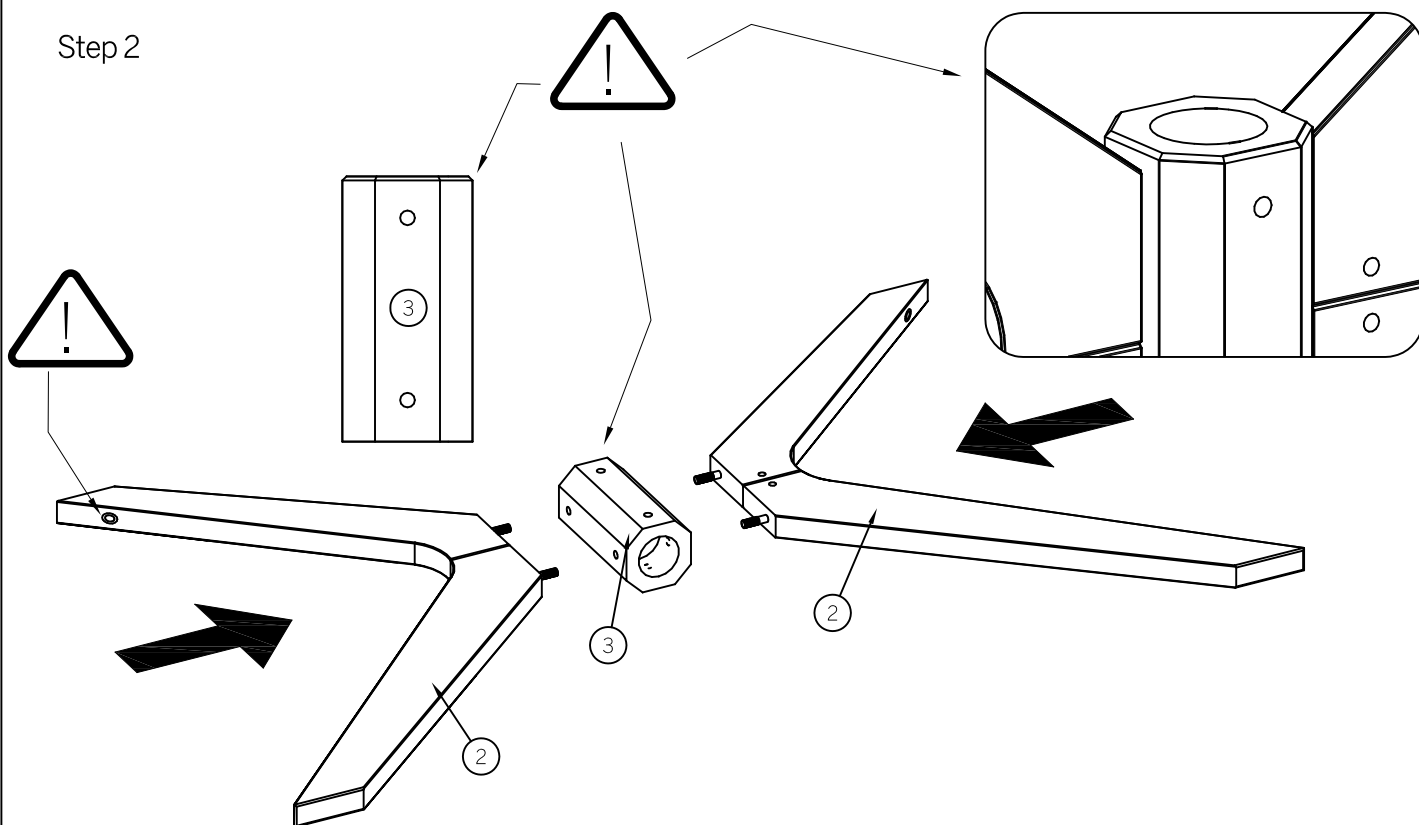
# Milford Dining Table

24272896

## Step 1



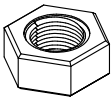
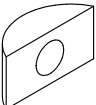
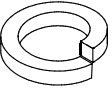
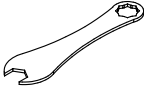
## Step 2

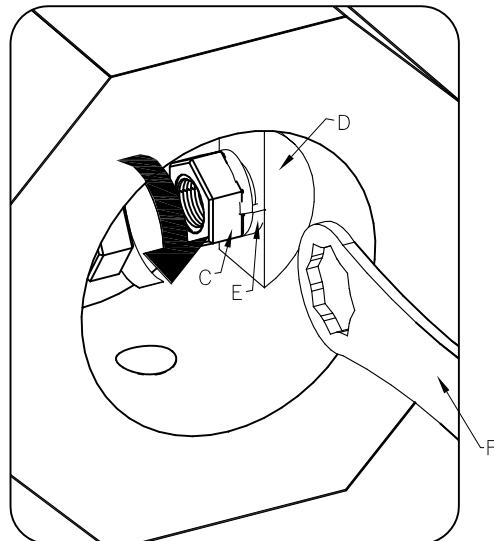
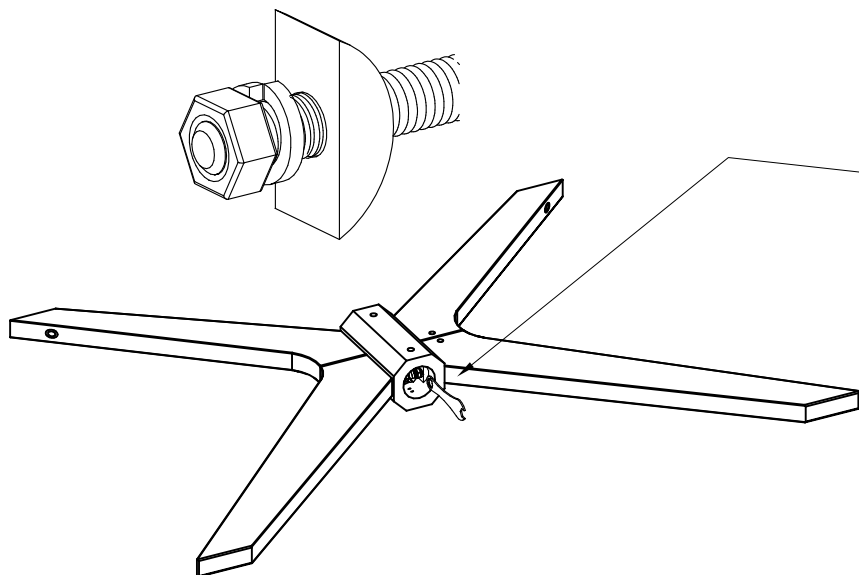


# Milford Dining Table

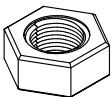
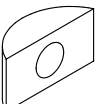
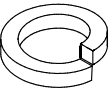
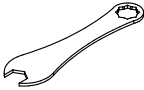
24272896

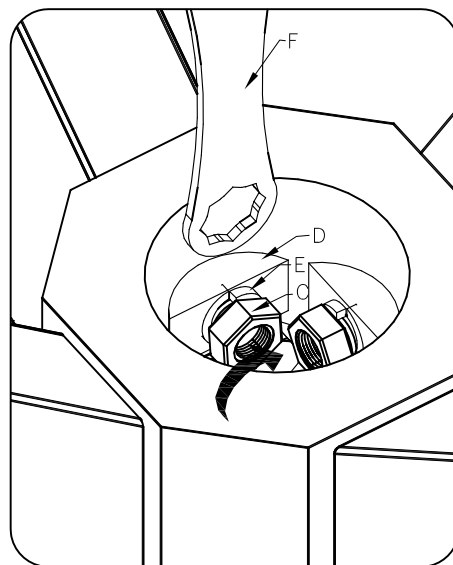
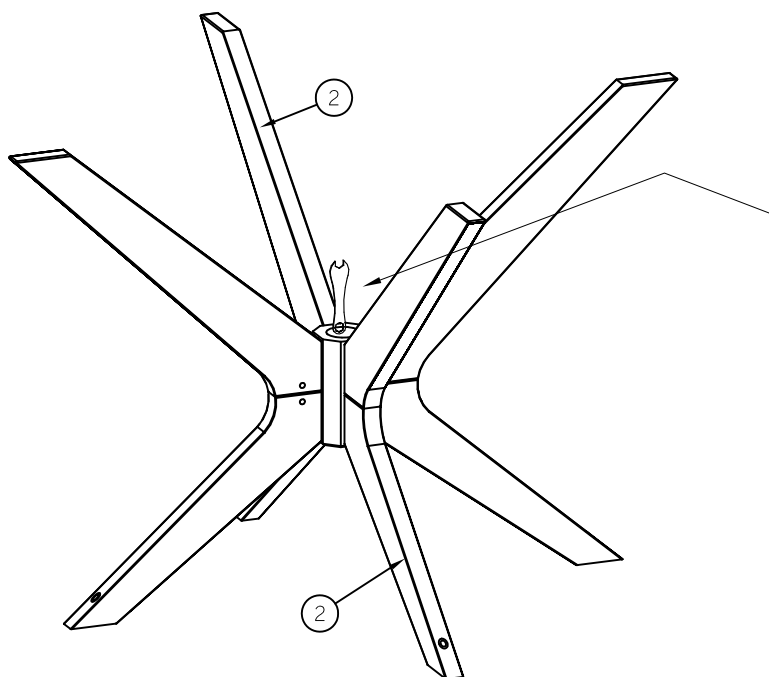
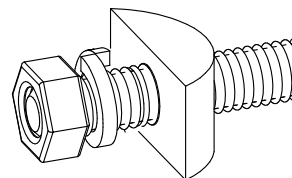
## Step 3

C x 4  M8/13 mm	D x 4  27x14x6.5 mm	E x 4  Ø8 mm	F x 1  13 mm
--	--	---	--



## Step 4

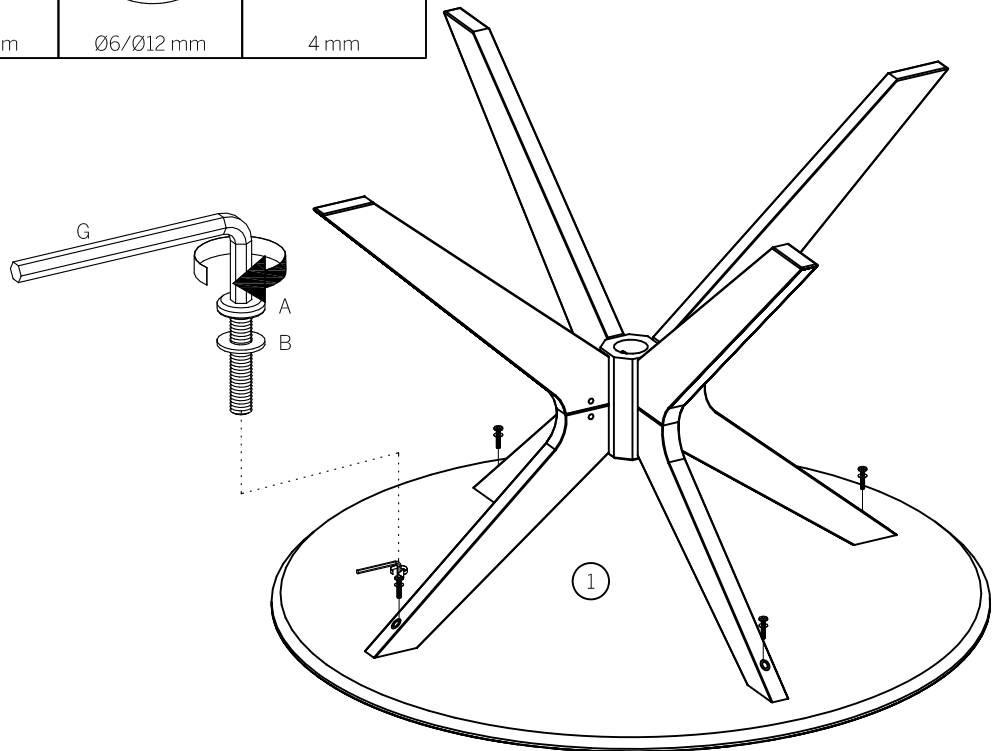
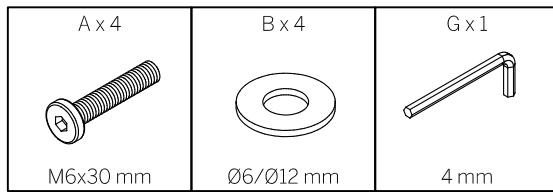
C x 4  M8/13 mm	D x 4  27x14x6.5 mm	E x 4  Ø8 mm	F x 1  13 mm
--	--	---	--



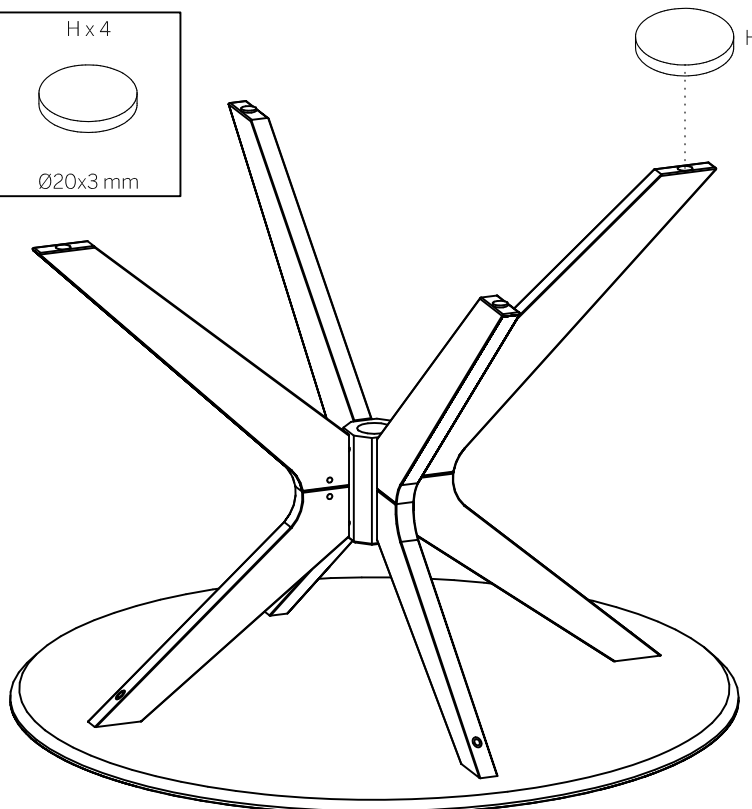
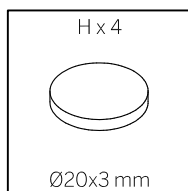
# Milford Dining Table

24272896

## Step 5



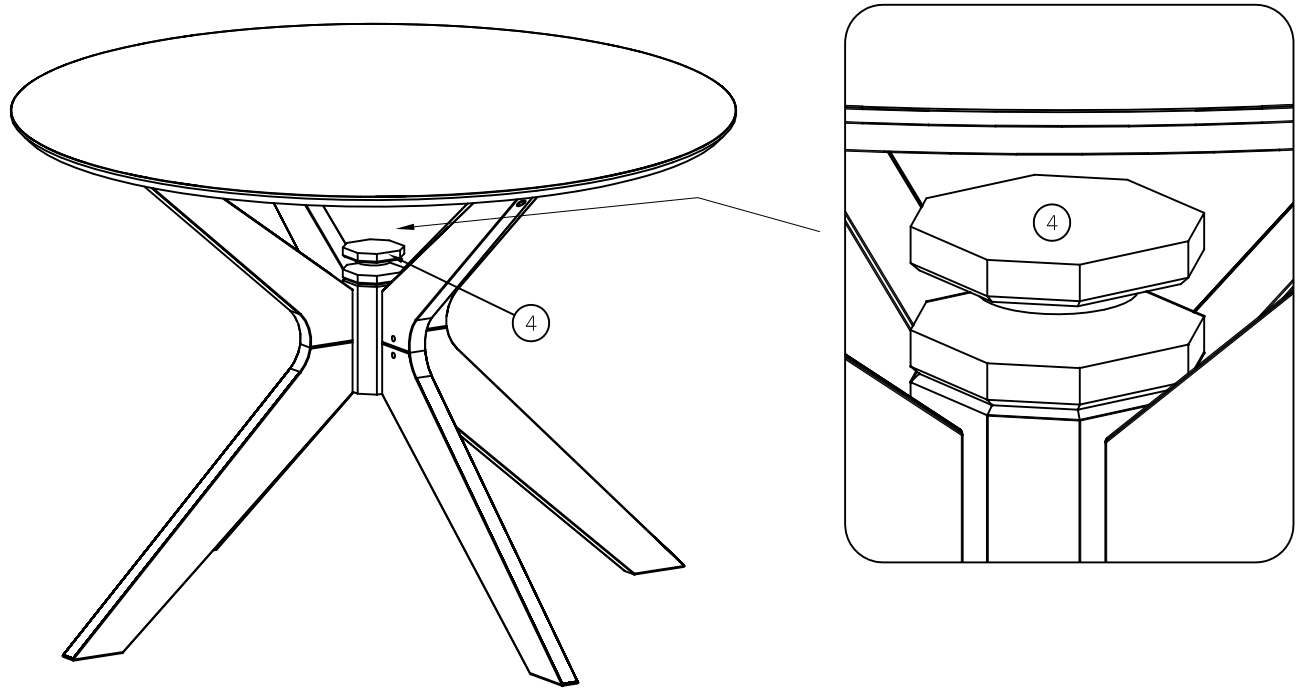
## Step 6



# Milford Dining Table

24272896

Step 7



Step 8

