

TILDA Dining Table 200x100 cm

24387835

Thank you for purchasing the TILDA Dining Table 200x100 cm. Before you begin to assemble your new piece of furniture, please check to ensure that all hardware and parts have been supplied.

The following page lists all contents included in the carton(s).

Follow instructions closely as deviation from them may present a possible safety risk and may void your warranty.

It is recommended that assembly is done on a soft surface such as carpet to avoid any damage.

If you experience any problems with your new purchase, please phone Freedom Customer Service (FCS) on 1300 135 588 (Australia) or 0800 469 327 (New Zealand).

Care Information

DO

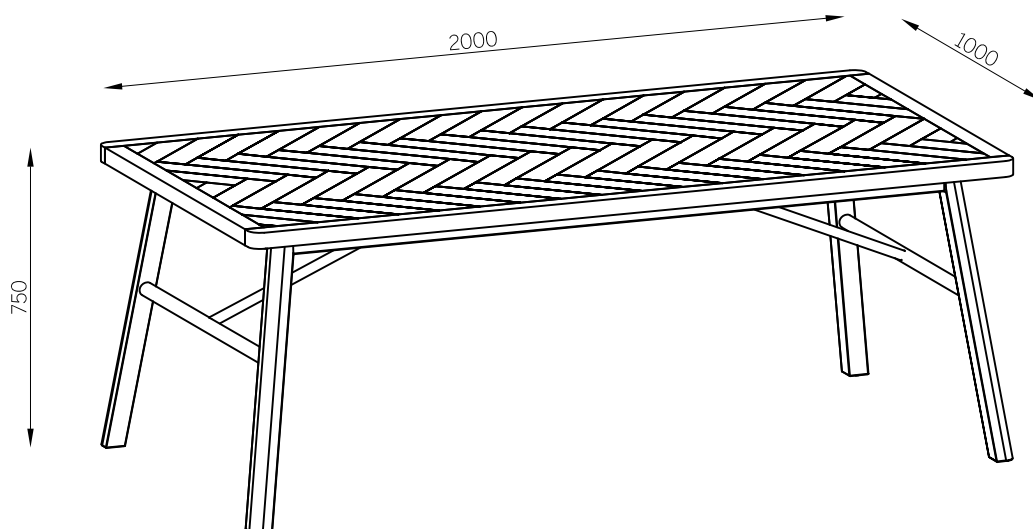
- Use tablecloths, table runners and coasters to help protect surfaces from scratching.
- Dust once a week using a soft cloth or similar duster.
- Only use freedom recommended care products as many supermarket polishes and waxes contain high levels of silicon and petroleum distillate which can damage the surface.
- Polish your furniture every 3 to 6 months, making sure the surface is free from dust before you start.

DON'T

- Avoid placing hot or wet items directly on the surface as they can leave marks which are difficult to remove.
- Avoid direct sunlight, as this will cause colour change. If the furniture is in direct sunlight, move items like vases around to avoid spotting.
- Avoid applying too much polish as this will build up and need to be removed with a wood-cleaning product

GENERAL

Periodically check and re-tighten all fasteners. When moving furniture always lift it rather than drag it.

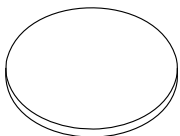
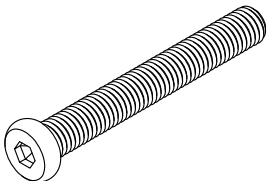
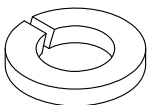
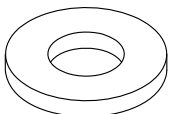
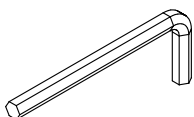
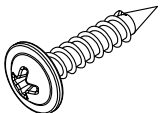
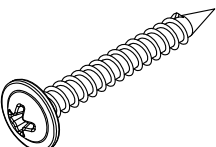
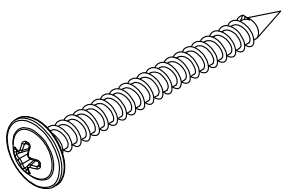


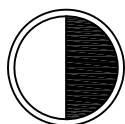
045 Rev 1

TILDA Dining Table 200x100 cm

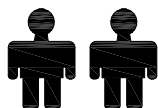
24387835

Hardware (Supplied)

A x 4  Ø30x3 mm	B x 8  M8x60 mm	C x 8  Ø8 mm	D x 8  Ø8/Ø16 mm
E x 1  5 mm	F x 2  Ø3,5x20 mm	G x 2  Ø3,5x30 mm	H x 4  Ø3,5x40 mm



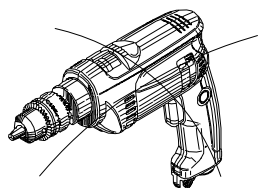
30
min



This assembly requires
two persons

Tools Required (Not Supplied)

DO NOT USE A
POWERDRILL
TO COMPLETE ASSEMBLY

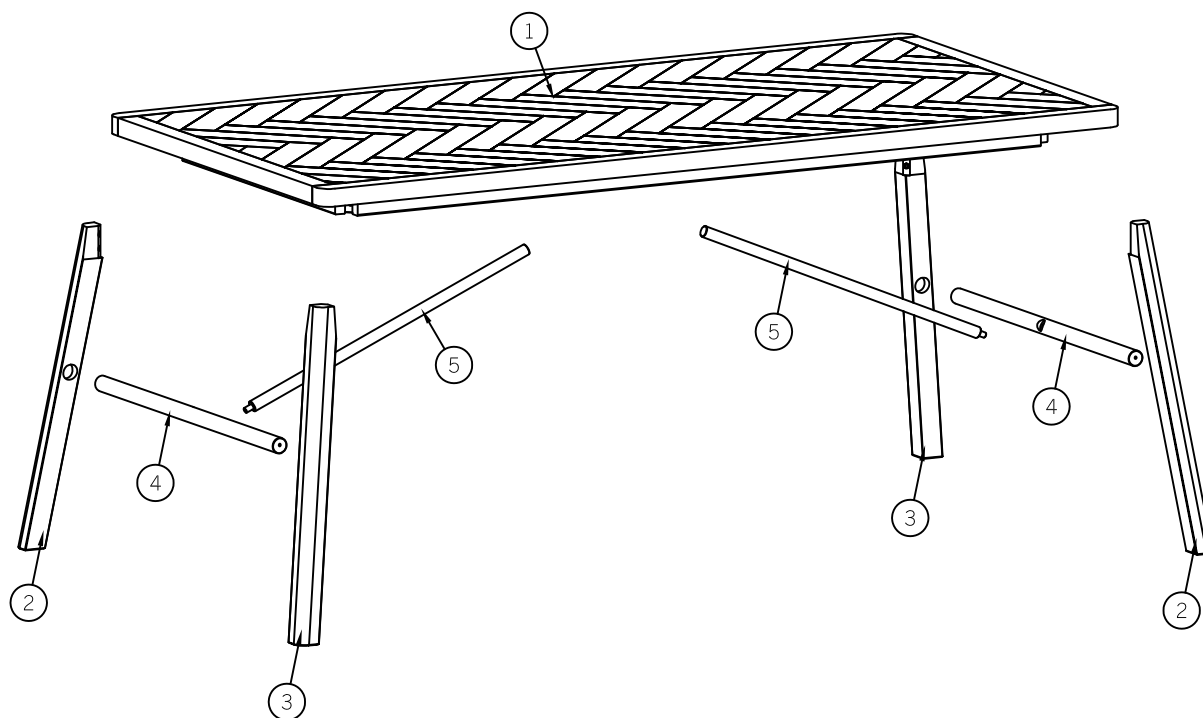


TILDA Dining Table 200x100 cm

24387835

Parts

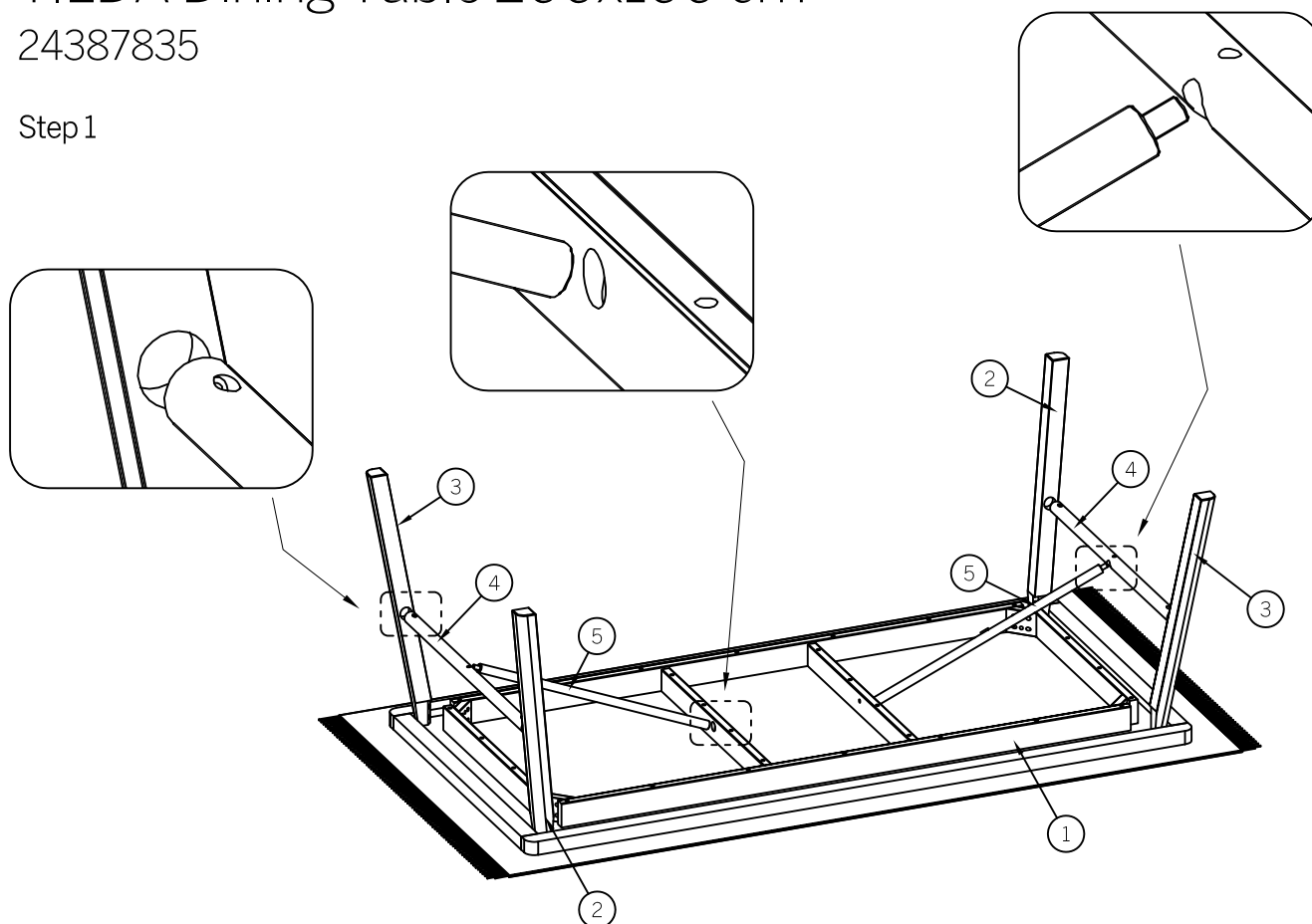
			✓
1	1	2000x1000x100	
2	2	732x50x50	
3	2	732x50x50	
4	2	Ø35x825	
5	2	Ø25x764	



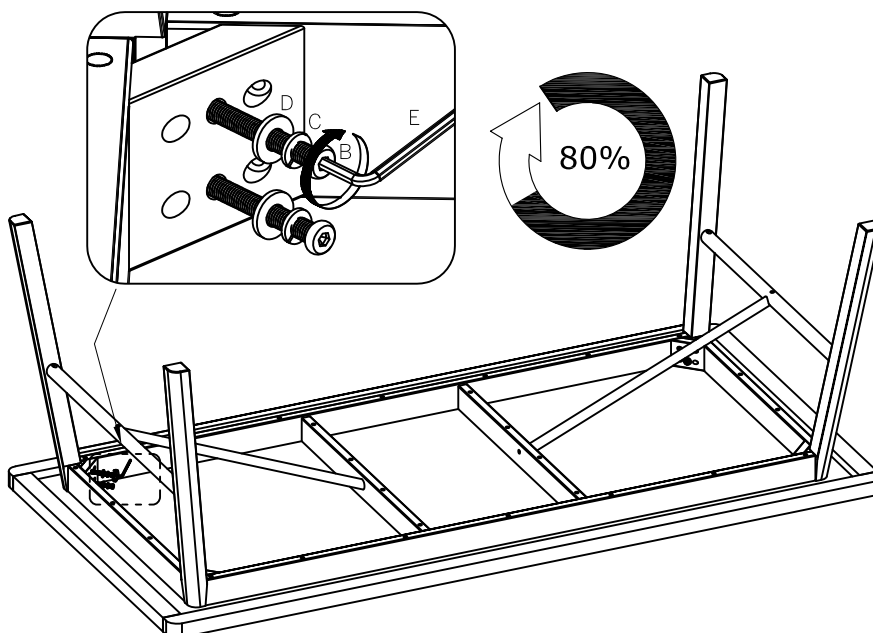
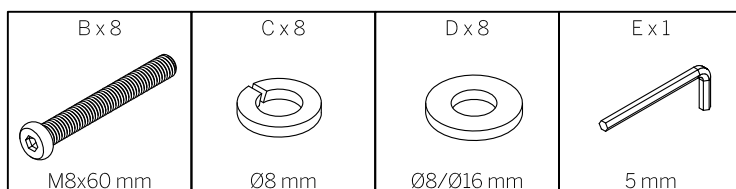
TILDA Dining Table 200x100 cm

24387835

Step 1



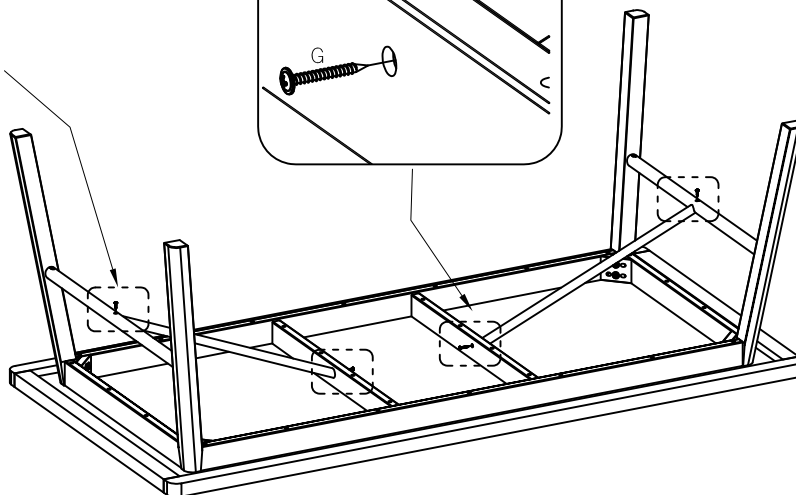
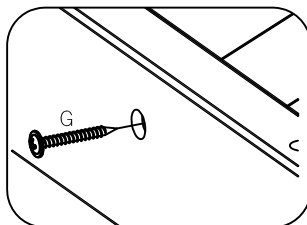
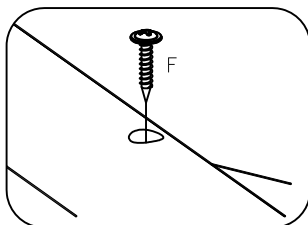
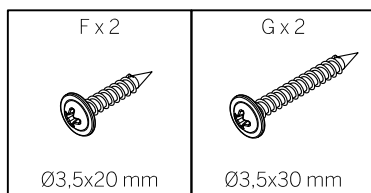
Step 2



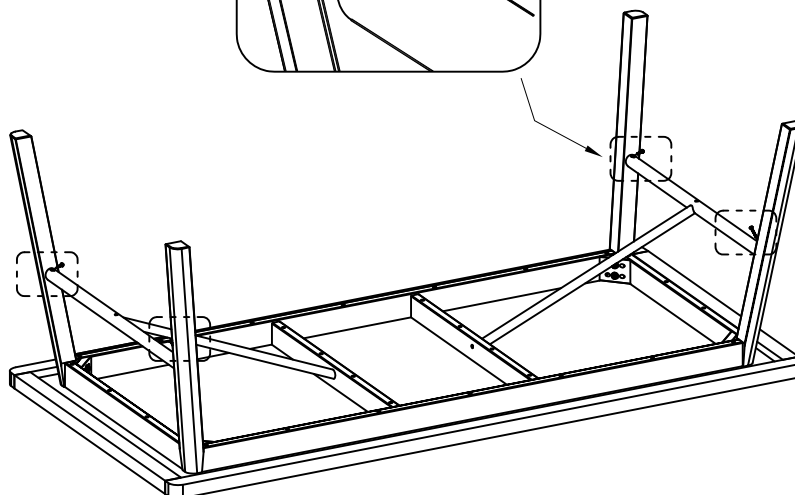
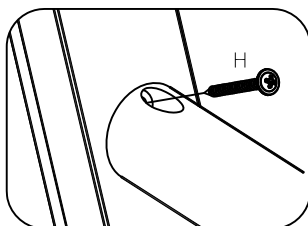
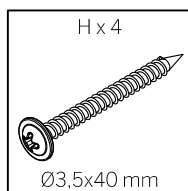
TILDA Dining Table 200x100 cm

24387835

Step 3



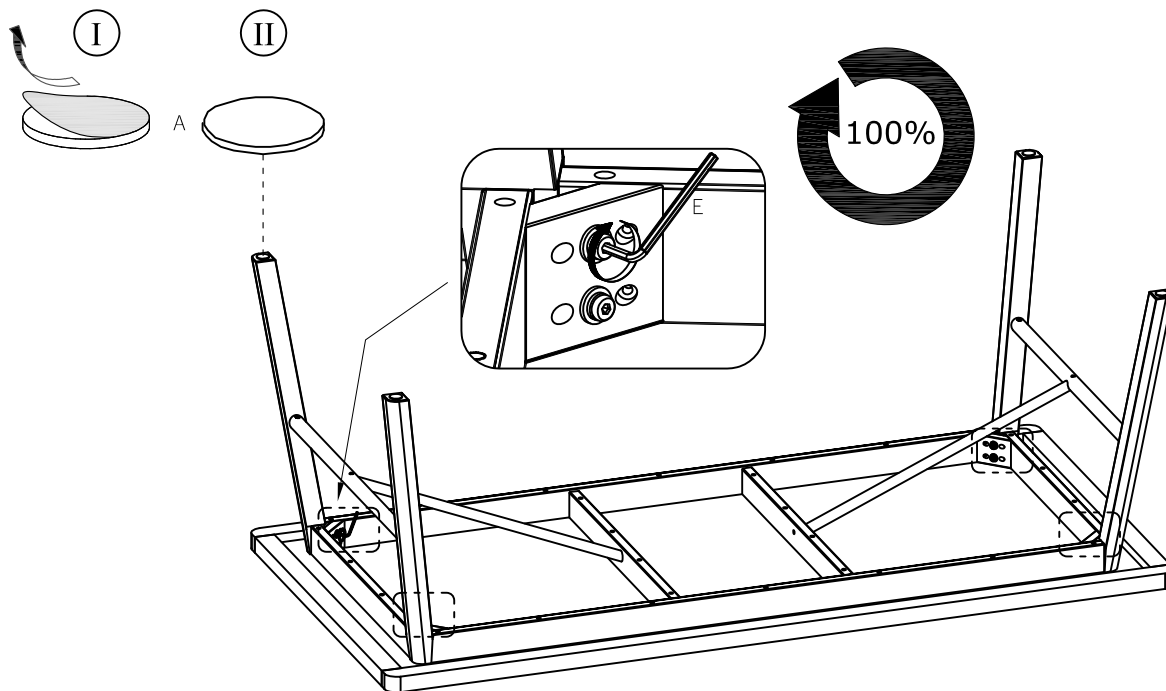
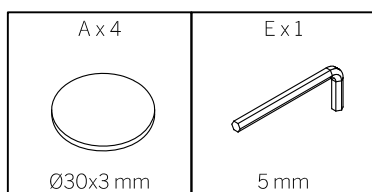
Step 4



TILDA Dining Table 200x100 cm

24387835

Step 5



Step 6

