

Havelock Round Dining Table Very Heavy Product Concrete White

24413787-24413794

Undercover



Thank you for purchasing the **Havelock Round Dining Table Very Heavy Product Concrete White**. Before you begin to assemble your new piece of furniture, please check to ensure that all hardware and parts have been supplied. This page lists all contents included in the carton(s).

Follow instructions closely as deviation from them may present a possible safety risk and may void your warranty.

It is recommended that assembly is done on a soft surface such as carpet to avoid any damage.

If you experience any problems with your new purchase, please contact Customer Service via the website www.freedom.com.au or www.freedomfurniture.co.nz

Care Information

This product is suitable for Occasional Outdoor Use or Undercover

This refers to outdoor furniture that isn't designed for permanent outdoor use. It is recommended for use in outdoor covered areas only.

Timber Care

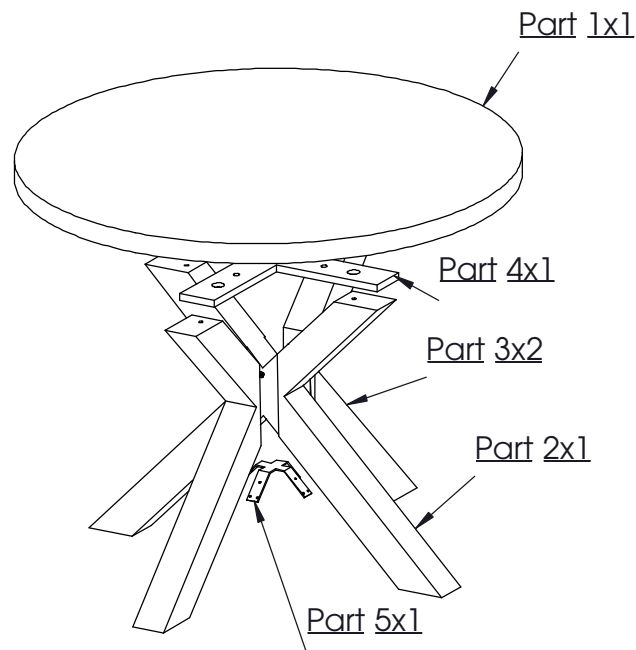
To prolong lifetime store in a dry location when not in use or during periods of inclement weather. Expansion and contraction of timbers will occur with changes in humidity and temperature. This can cause timber to split which is natural and not considered a fault. Leaving painted surfaces exposed permanently to outdoor use will cause this to accelerate.

Use a dust pan brush to wipe down the surface monthly. Use a clean damp cloth to wipe down the surface and allow to dry.

Havelock Round Dining Table Very Heavy Product Concrete White

24413787-24413794

Parts



M6x45



6x22



M8x45



8x22



M4x30



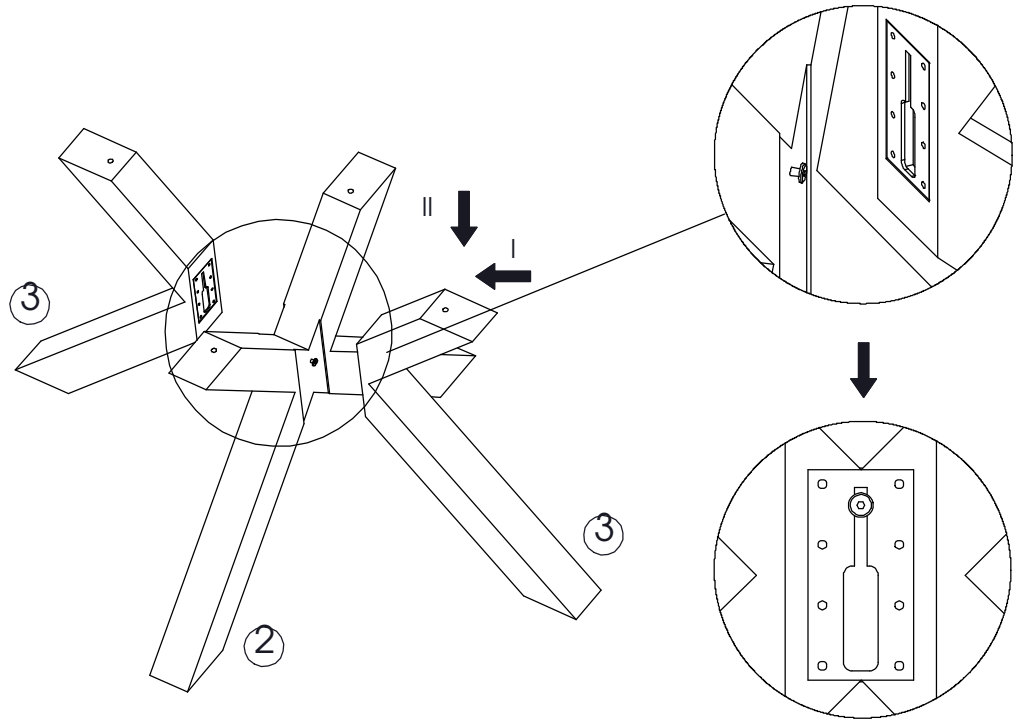
K4



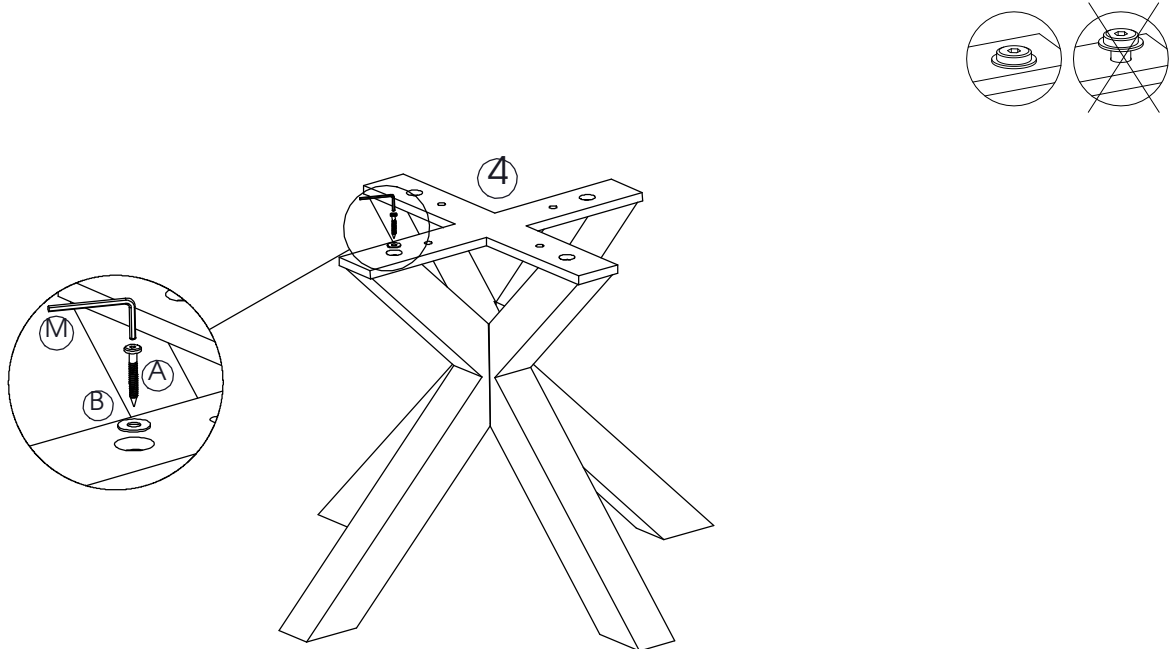
Havelock Round Dining Table Very Heavy Product Concrete White

24413787-24413794

Step 1.



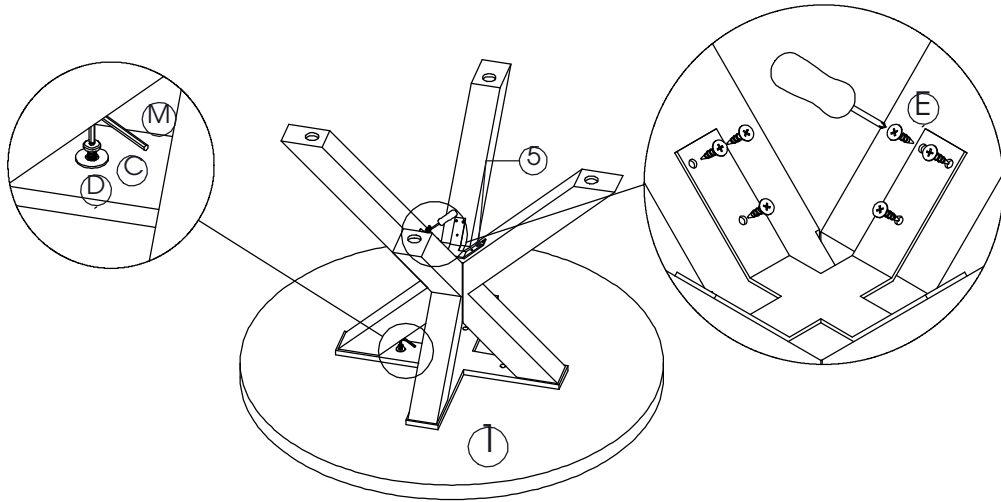
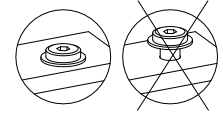
Step 2.



Havelock Round Dining Table Very Heavy Product Concrete White

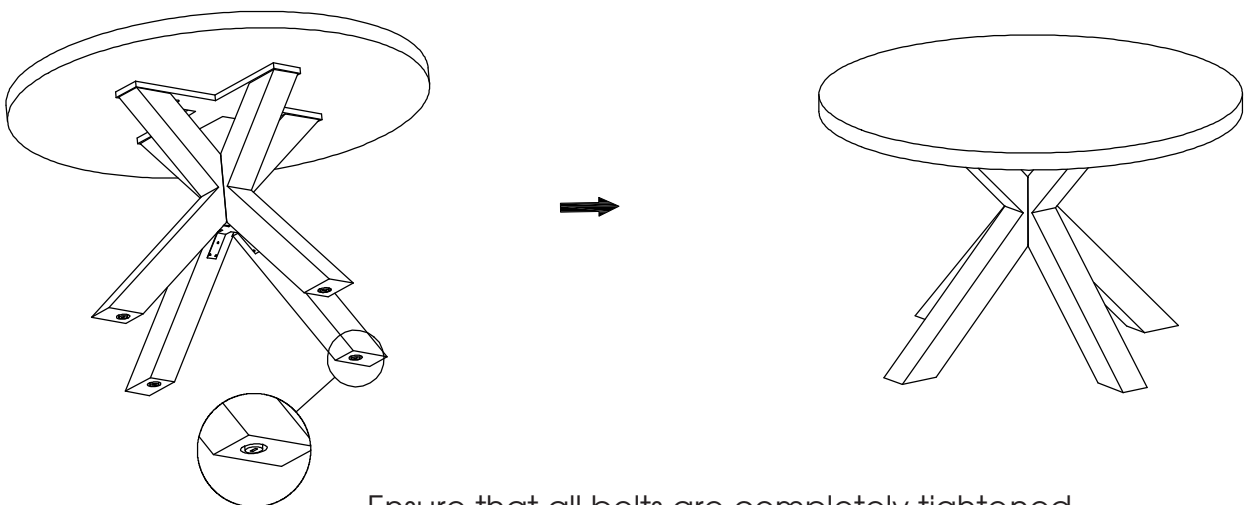
24413787-24413794

Step 3.



Ensure that all bolts are completely tightened

Step 4.

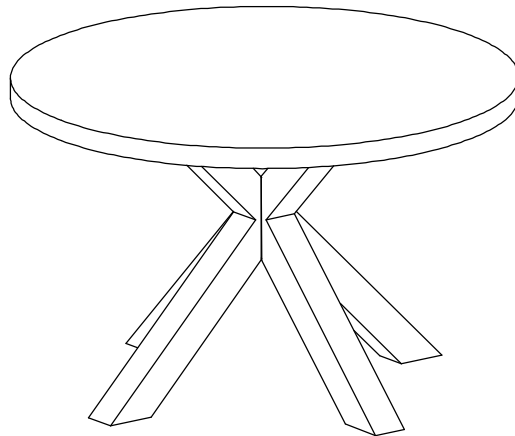


Ensure that all bolts are completely tightened

Havelock Round Dining Table Very Heavy Product Concrete White

24413787-24413794

Finished.



Ensure that all bolts are completely tightened