

# Cleo Armchair 1S

24424592

Thank you for purchasing the Cleo Armchair 1S . Before you begin to assemble your new piece of furniture, please check to ensure that all hardware and parts have been supplied. This page lists all contents included in the carton(s).

Follow instructions closely as deviation from them may present a possible safety risk and may void your warranty.

It is recommended that assembly is done on a soft surface such as carpet to avoid any damage.

If you experience any problems with your new purchase, please contact Freedom Customer Service via [livechat@freedom.com.au](mailto:livechat@freedom.com.au)(Australia) or 0800 469 327 (New Zealand)

## Care Information

Periodcally check and re-tighten any fasteners. Avoid direct sunlight. Treat spills and stains as soon as they occur. Gently scrape any soil or mop any liquid from the surface of the fabric, apply proprietary cleaning agents strictly according to instructions to remove the residue of the spill. Do not saturate the fabric or interior with water or other cleaning liquids. May be spot cleaned with dry cleaning solvent. Pilling can occur occasionally as a result of normal daily wear and should not be considered as a fault. Fibre pills can be removed by a battery operated pilling tool available from most haberdashery stores. For further care information please refer to the care label on the base of your sofa.

## Hardware(Supplied)



B x 12



C x 12



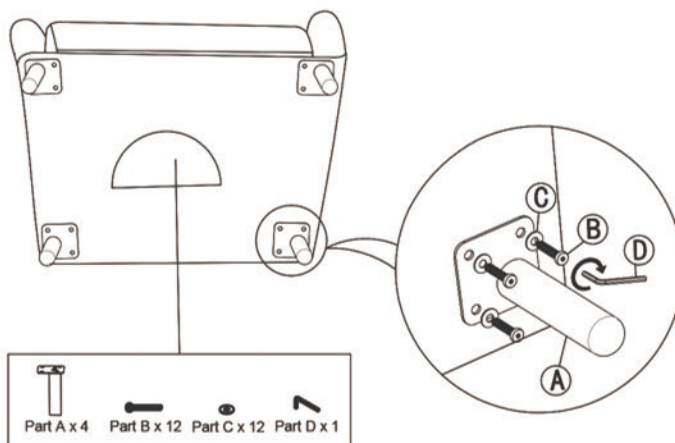
D x 1

## Parts



A x 4

## Step 1



## Finished

! Two people required to orientate sofa

