

Kew Console Table

24423045/24588423



This assembly requires two persons.

Thank you for purchasing Kew Console Table. Before you begin to assemble your new piece of furniture, please check to ensure that all hardware and parts have been supplied. This page lists all contents included in the carton(s).

Follow instructions closely as deviation from them may present a possible safety risk and may void your warranty.

It is recommended that assembly is done on a soft surface such as carpet to avoid any damage.

If you experience any problems with your new purchase, please contact Freedom Customer Service via livechat@freedom.com.au (Australia) or 0800 469 327 (New Zealand).

Care Information

MDF

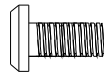
Avoid direct sunlight as it may cause the product to change colour. Dust the surfaces by using soft and clean cloth. Avoid using harsh abrasives, chemicals or polishes. It is important to remove moist substances immediately.

Periodically check and re-tighten all fasteners. Always lift furniture, never drag it.

Hardware (Supplied)



m6*35mm
Part A x 12

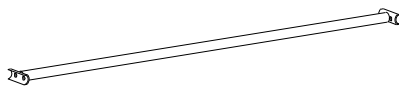


m6*12mm
Part B x 12

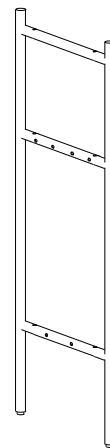


4mm
Part C x 1

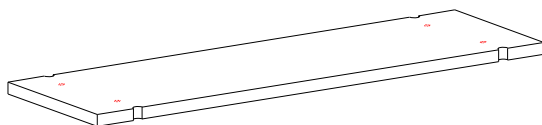
Parts



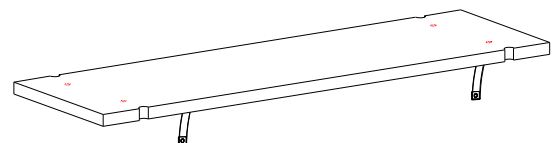
①x3



②x2

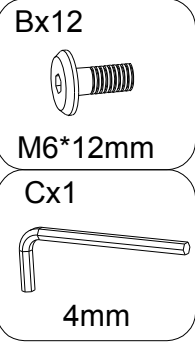
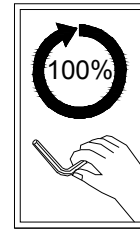


③x2

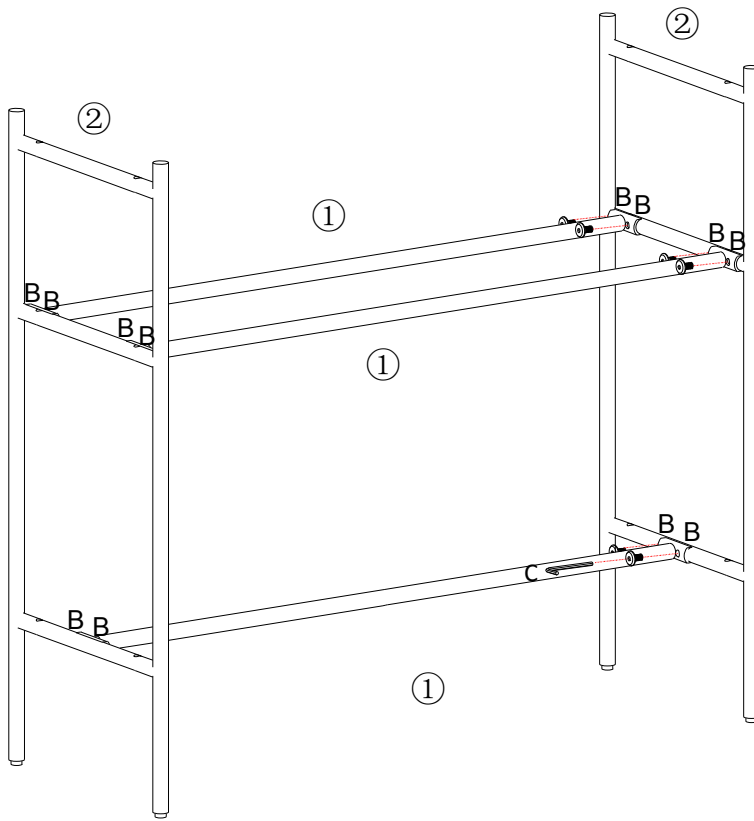


④x1

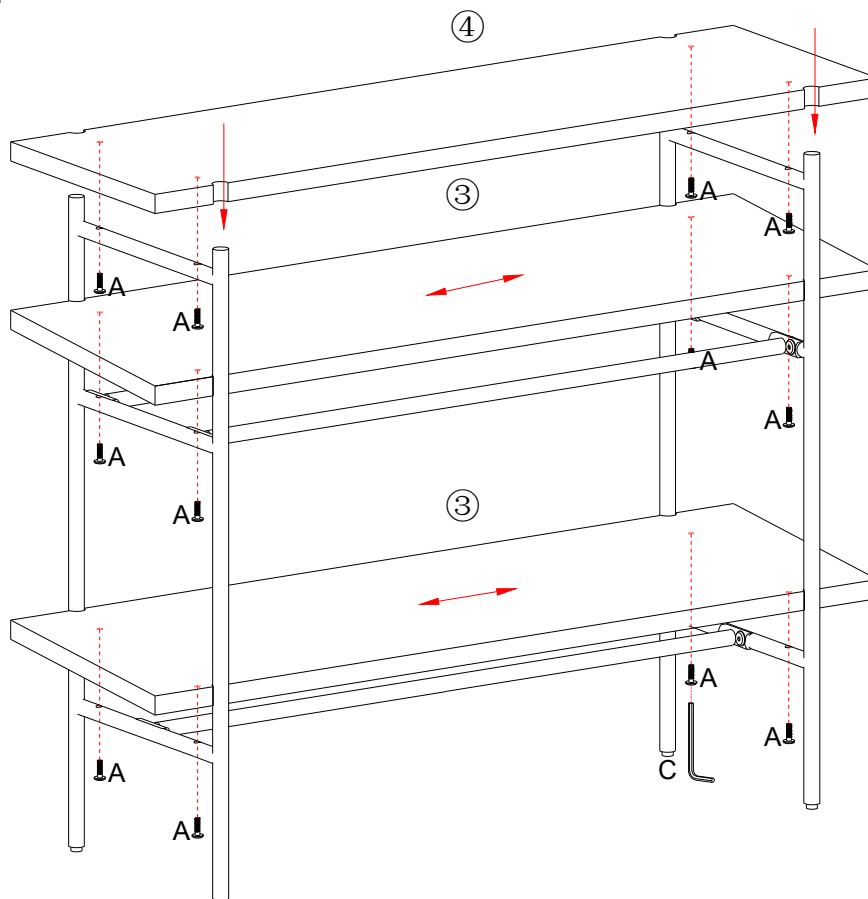
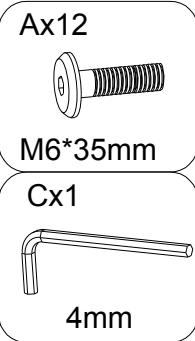
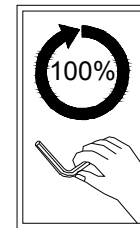
Kew Console Table
24423045/24588423



Step 1.

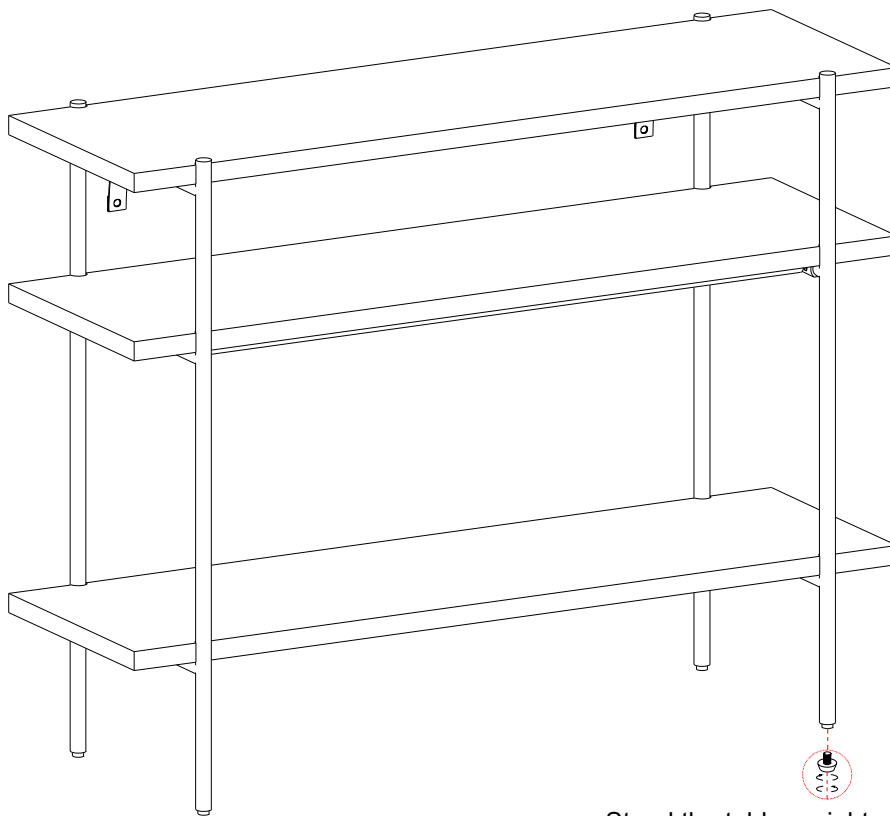
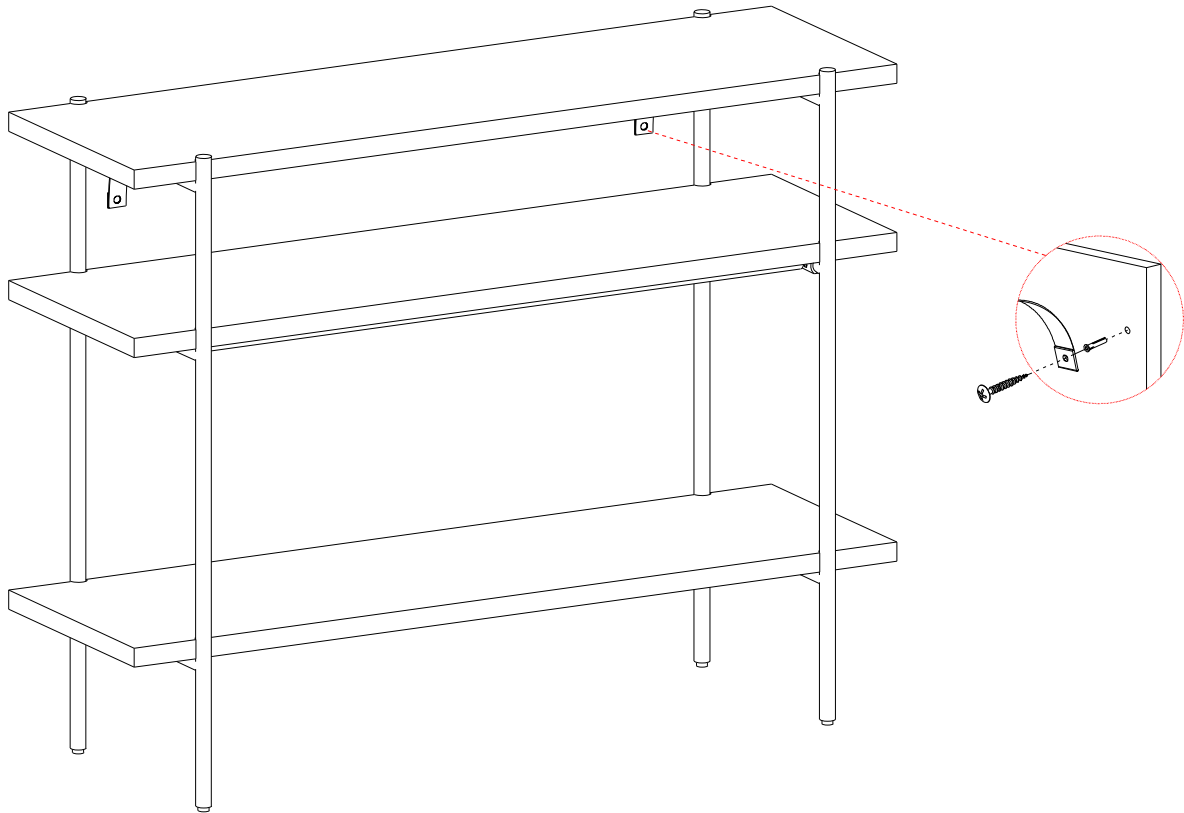


Step 2.



Kew Console Table
24423045/24588423

Step 3.



Stand the table upright, you can adjust the gliders if needed for stability.

FINAL Step: Attach anti tilt strap or bracket to wall

WARNING:

To prevent your furniture from tilting forward and possibly causing property damage or personal injury it is recommended that you **Securely attach the anti-tilt straps or brackets provided to your wall using appropriate fixings**

IMPORTANT:

- **DO NOT** place toys or other child appealing items on top of this furniture
- **AVOID** fully opening all drawers at the same time
- **DO NOT ALLOW** Small children to climb onto Drawers, shelves or to swing from open doors

CAUTION:

For your safety when attaching the anti-tilt fixings;

- Check for any electrical wires or plumbing inside the wall before drilling any holes (if you are unsure please seek professional advice from a qualified tradesman)
- Walls are constructed from different materials eg; Masonry (solid brick) or plaster board lined cavity walls (hollow).

It is important that you use the appropriate wall fixings for your wall type.
(Your local hardware store will have the necessary drills and fixings and can offer advice if needed)