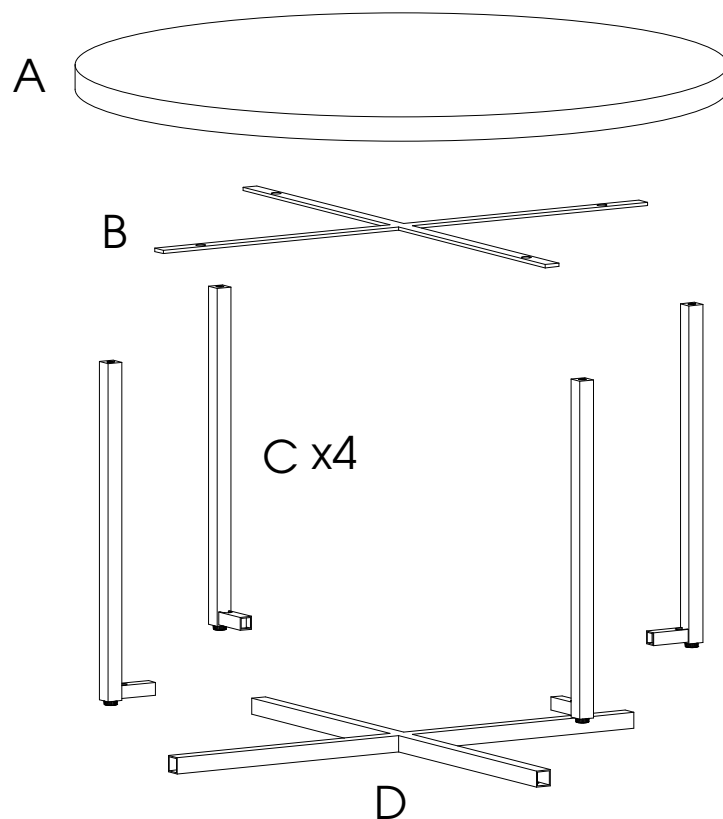


# PIXEL COFFEE TABLE BLACK/WHITE

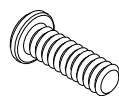
24425155/24425162

Parts



## Hardware (supplied)

M6x15



E x12

Washer M6x16x1.5



F x12

Wing Nut M6

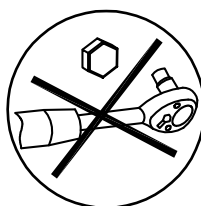
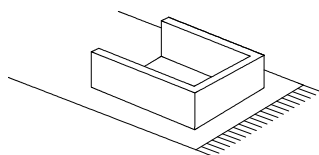


Gx4

Allen Wrench M4

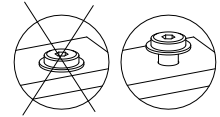


Hx1



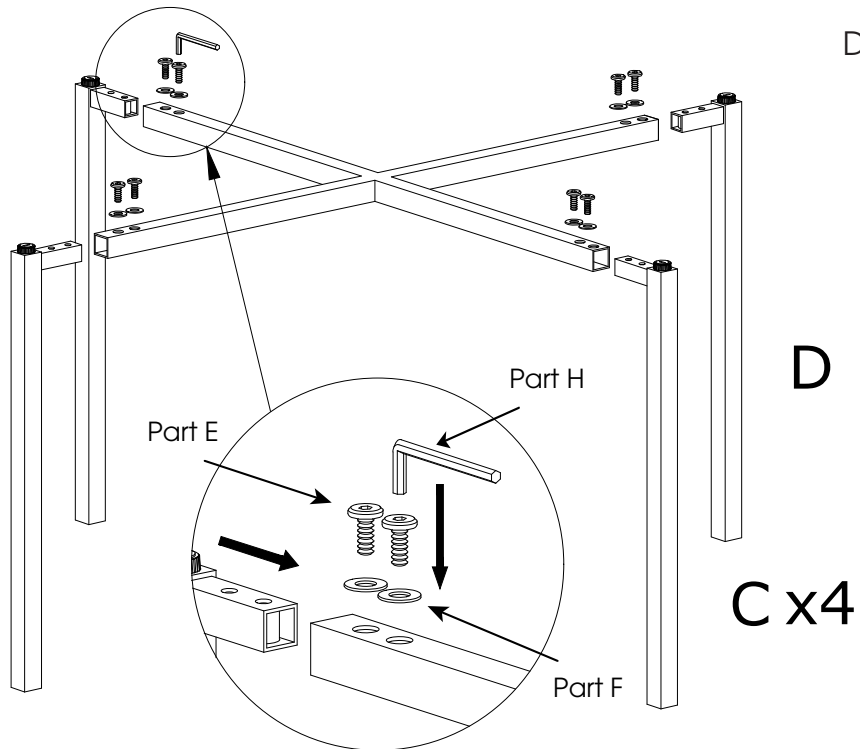
# PIXEL COFFEE TABLE BLACK/WHITE

24425155/24425162

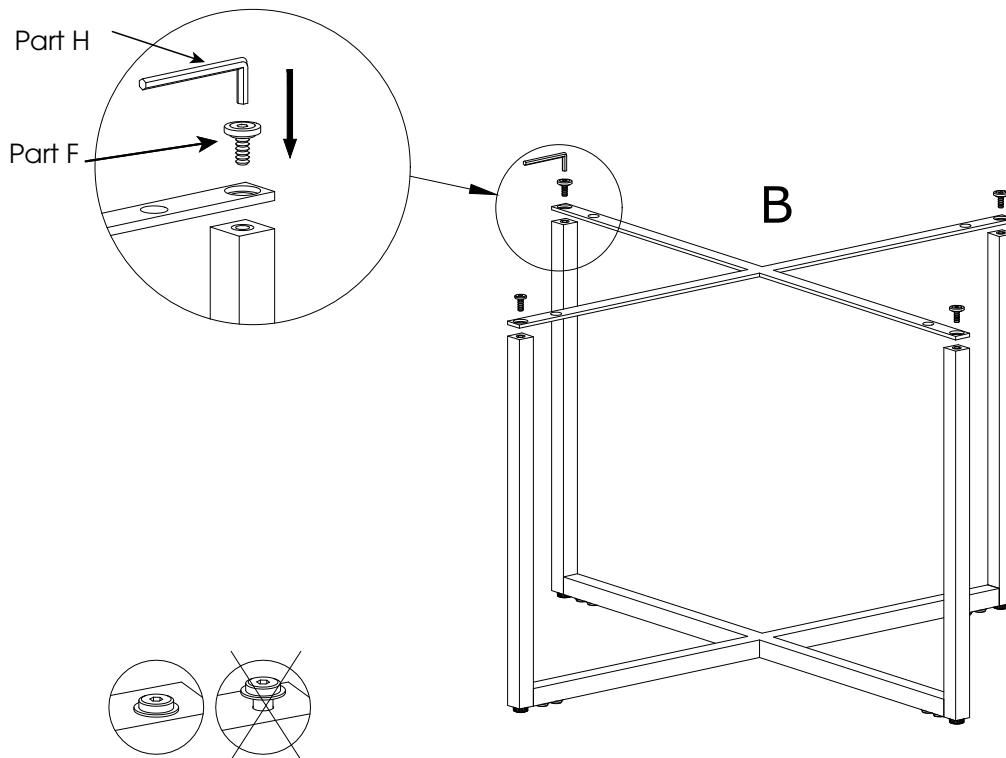


Do not tightened bolts

Step 1.



Step 2.

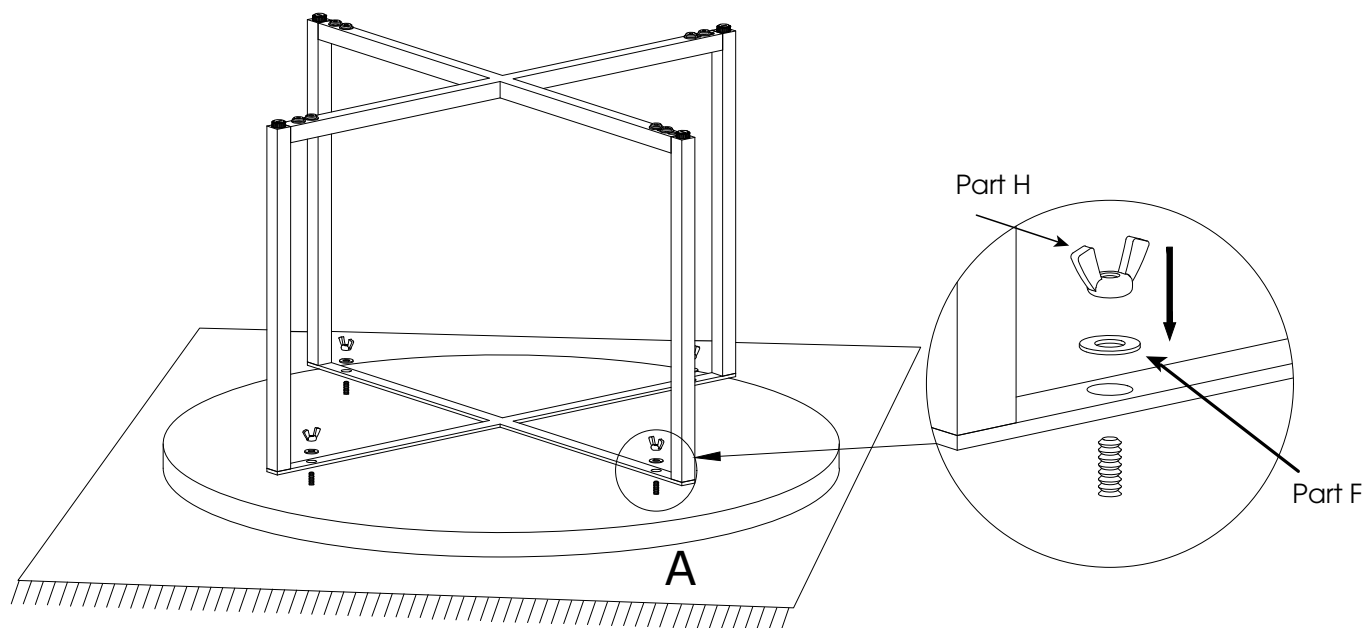


Ensure that all bolts are completely tightened

# PIXEL COFFEE TABLE BLACK/WHITE

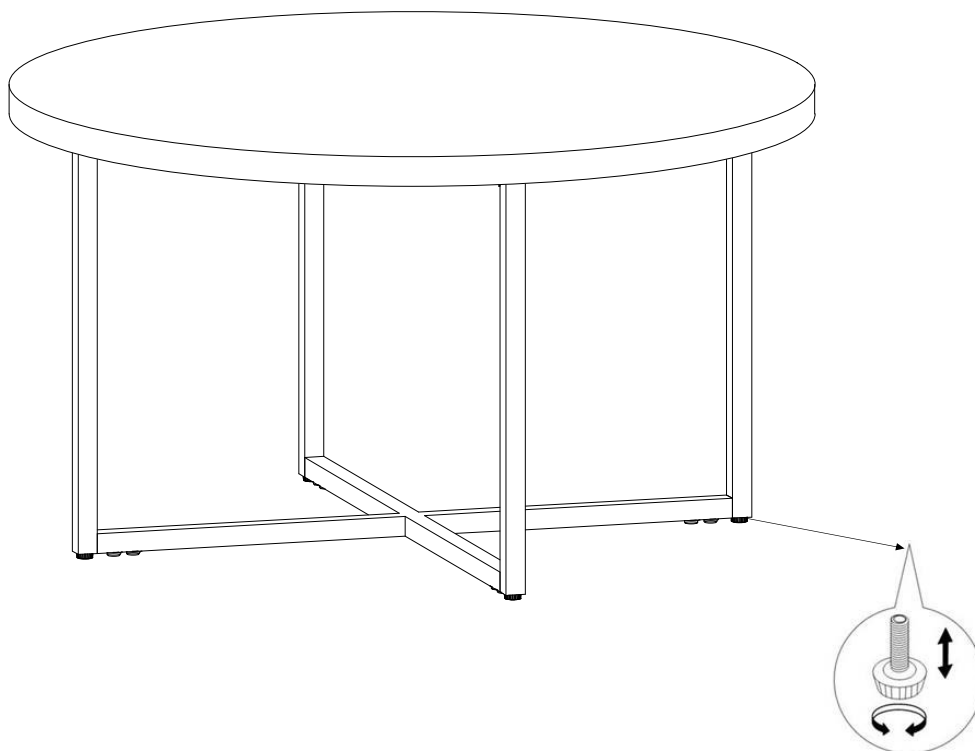
24425155/24425162

Step 3.



Ensure that all bolts are completely tightened

Finished.



Ensure that all bolts are completely tightened