

SWOON Dining Chair

24429917/24429900

Thank you for purchasing the SWOON Dining Chair. Before you begin to assemble your new piece of furniture, please check to ensure that all hardware and parts have been supplied. The following page lists all contents included in the carton(s).

Follow instructions closely as deviation from them may present a possible safety risk and may void your warranty.

It is recommended that assembly is done on a soft surface such as carpet to avoid any damage.

If you experience any problems with your new purchase, please contact Freedom Customer Service via livechat@freedom.com.au (Australia) or 0800 469 327 (New Zealand)

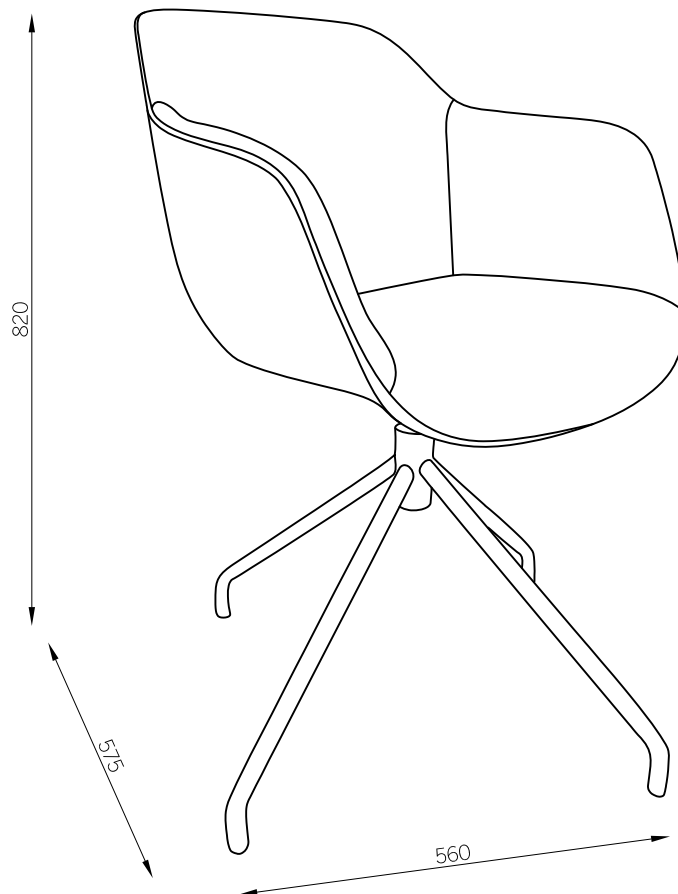
Care Information

Periodically check and re-tighten any fasteners. Dust weekly using a soft, clean cloth. Do not use harsh abrasives, chemicals or polishes containing silicone. Avoid direct sunlight as this may cause the timber to change colour. It is important to remove moist substances immediately.

Always carefully lift furniture when moving it around the home and never drag.

Use floor protectors on the bottom of furniture (like tables and chairs) to minimise damage to floor coverings.

Use coasters, place mats, tablecloths and table runners to protect furniture surfaces from heat and stains

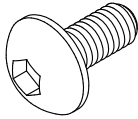
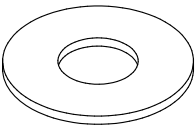
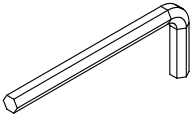


045 Rev 1

SWOON Dining Chair

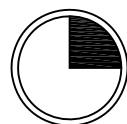
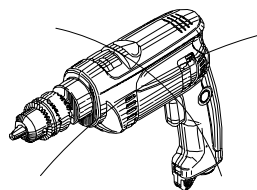
24429917/24429900

Hardware (Supplied)

A x 4	B x 4	C x 1
		
M6x14 mm	Ø6/Ø16 mm	5 mm

Tools Required (Not Supplied)

DO NOT USE A
POWERDRILL
TO COMPLETE ASSEMBLY

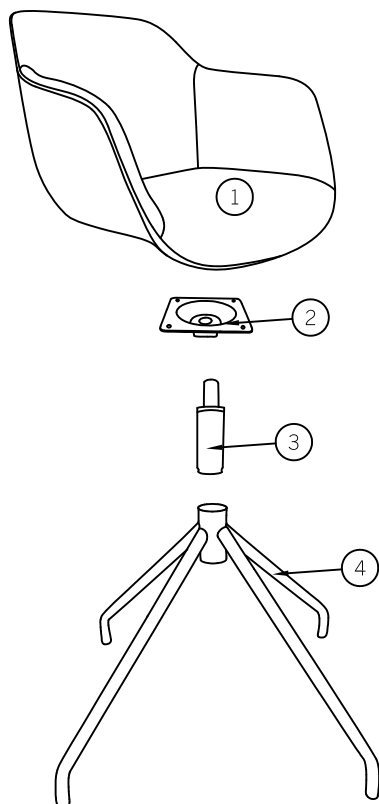


15
min



This assembly requires
one person

Parts

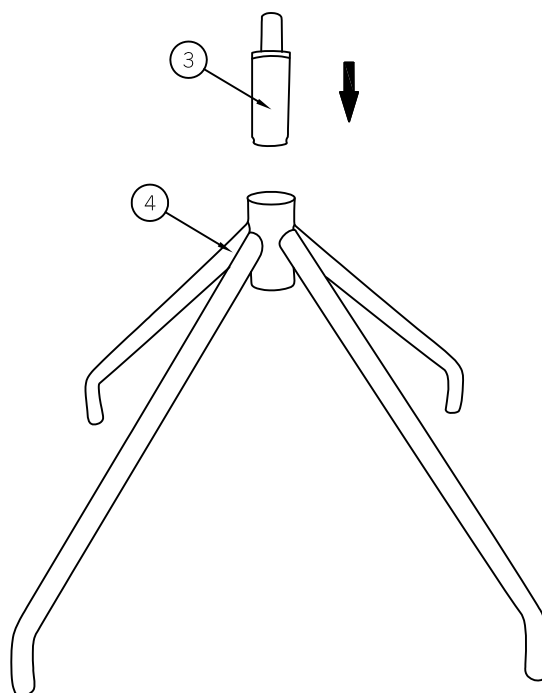


			✓
1	1	565x560x405	
2	1	167x167x53	
3	1	Ø38x148	
4	1	475x475x355	

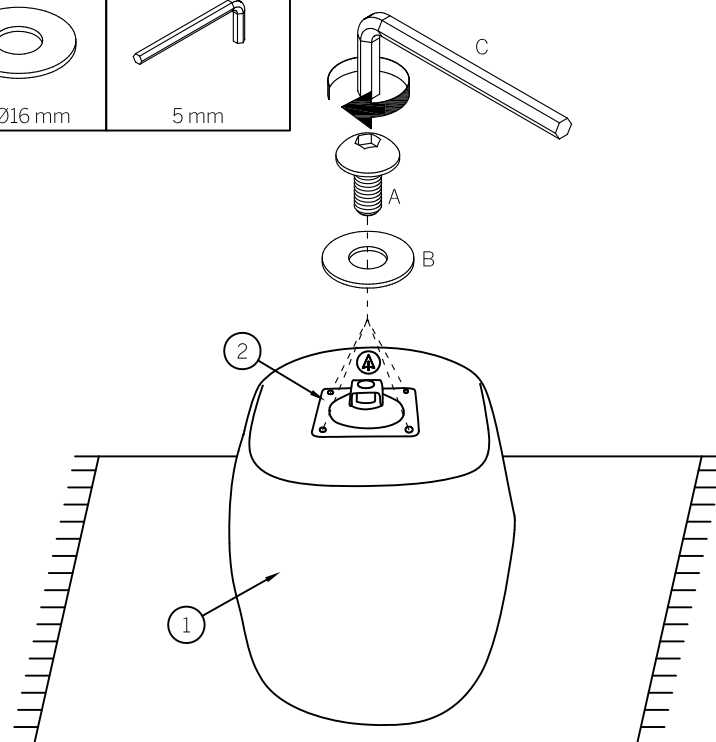
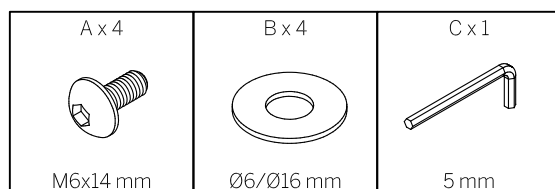
SWOON Dining Chair

24429917/24429900

Step 1



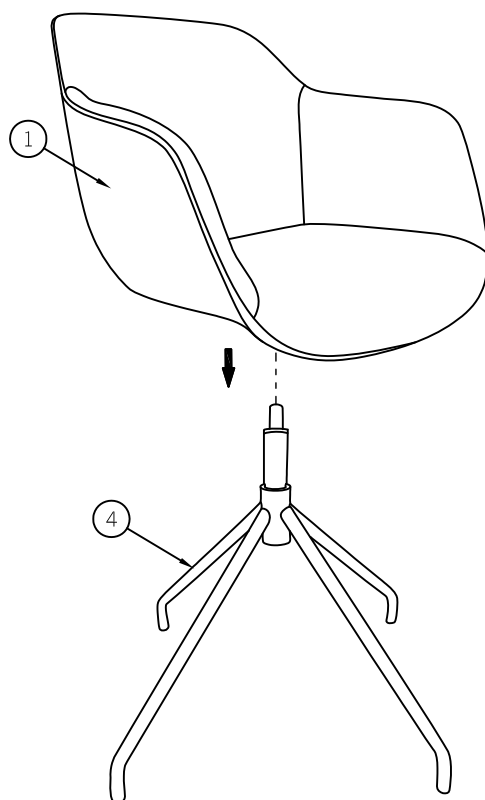
Step 2



SWOON Dining Chair

24429917/24429900

Step 3



Step 4

