

HALLIE DINING TABLE 160X90CM

24430487 / 24430456

Thank you for purchasing the Hallie Dining Table 160x90cm White. Before you begin to assemble your new piece of furniture, please check to ensure that all hardware and parts have been supplied. This page lists all contents included in the carton(s).

Follow instructions closely as deviation from them may present a possible safety risk and may void your warranty.

It is recommended that assembly is done on a soft surface such as carpet to avoid any damage. If you experience any problems with your new purchase, please contact Customer Service via the website www.freedom.com.au or www.freedomfurniture.co.nz

Care Information

DO

- Dust once a week using a soft cloth or similar duster.
- Only use freedom recommended care products as many supermarket polishes and waxes contain high levels of silicon and petroleum distillate which can damage the surface.
- Polish your furniture every 3 to 6 months, making sure the surface is free from dust before you start.

DON'T

- Avoid placing hot or wet items directly on the surface as they can leave marks which are difficult to remove.
- Avoid direct sunlight, as this will cause colour change. If the furniture is in direct sunlight, move items like vases around to avoid spotting.
- Avoid applying too much polish as this will build up and need to be removed with a wood-cleaning product.

Hardware (Supplied)

5/16" x 50



A x 4

1/4" x 15



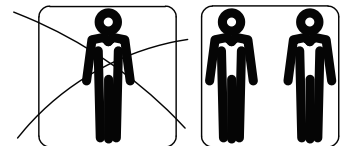
B x 16



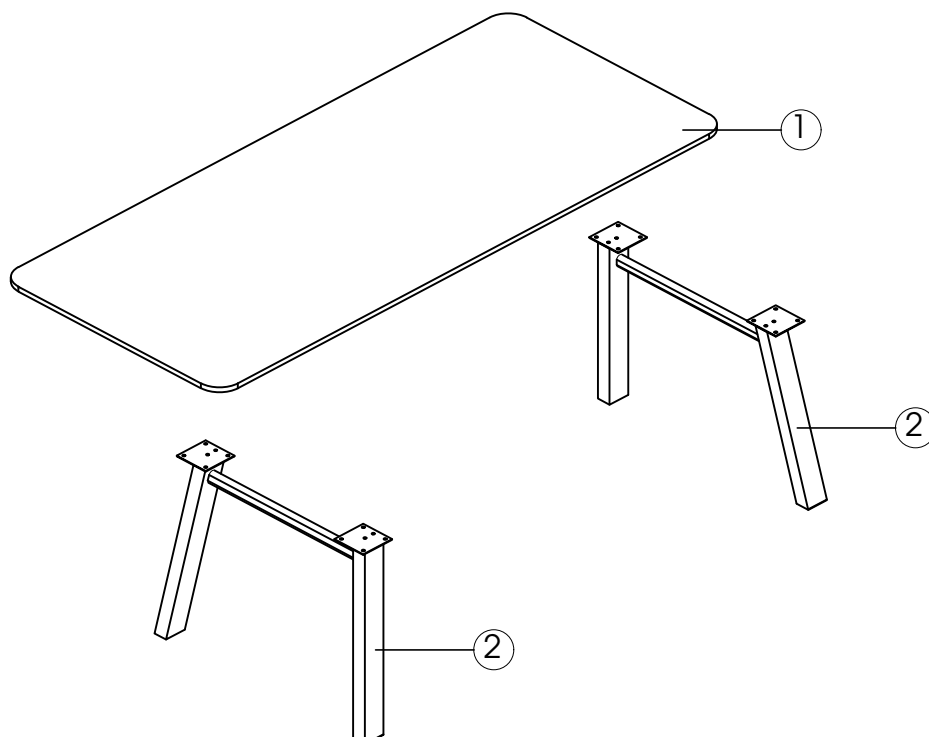
C x 4



D x 1



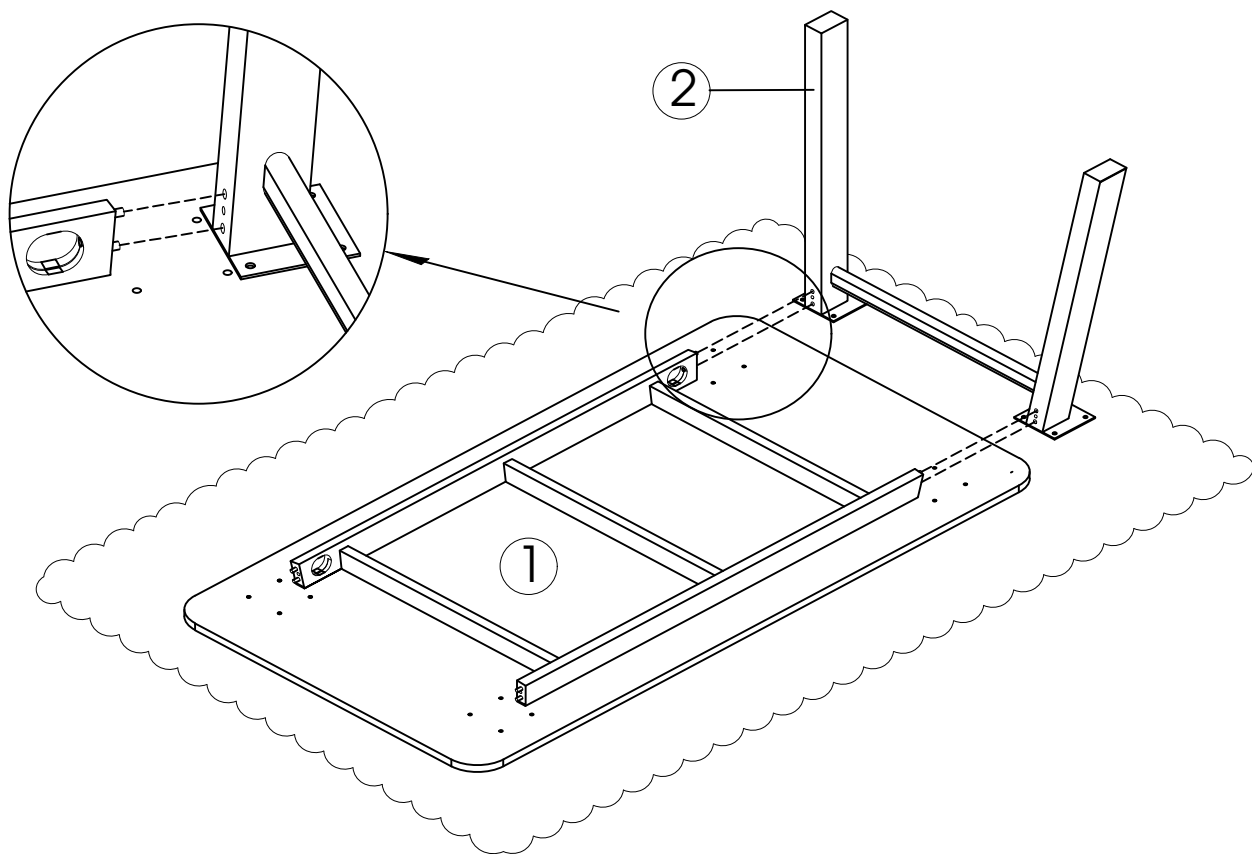
Parts



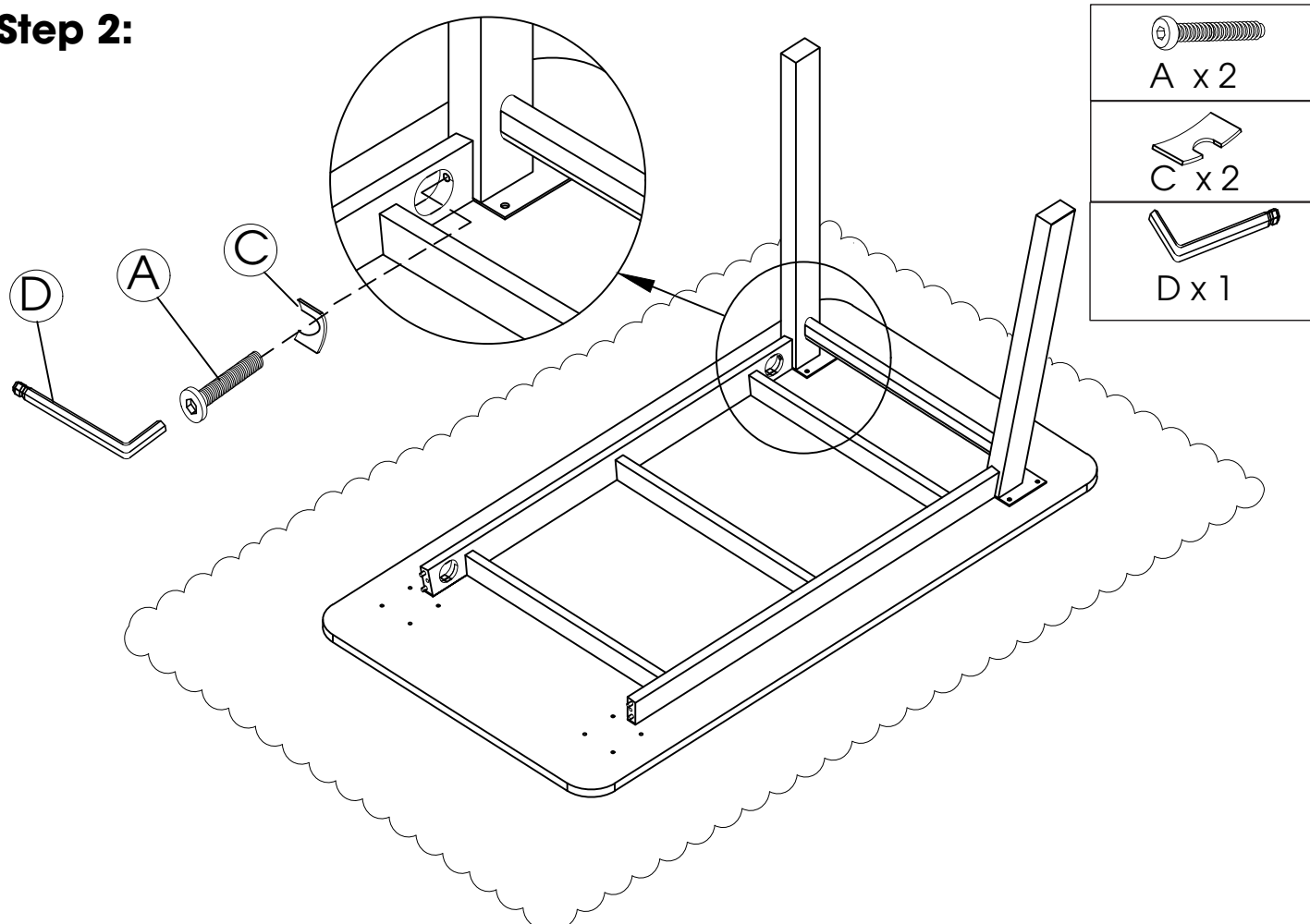
HALLIE DINING TABLE 160X90CM

24427357 / 24430456

Step 1



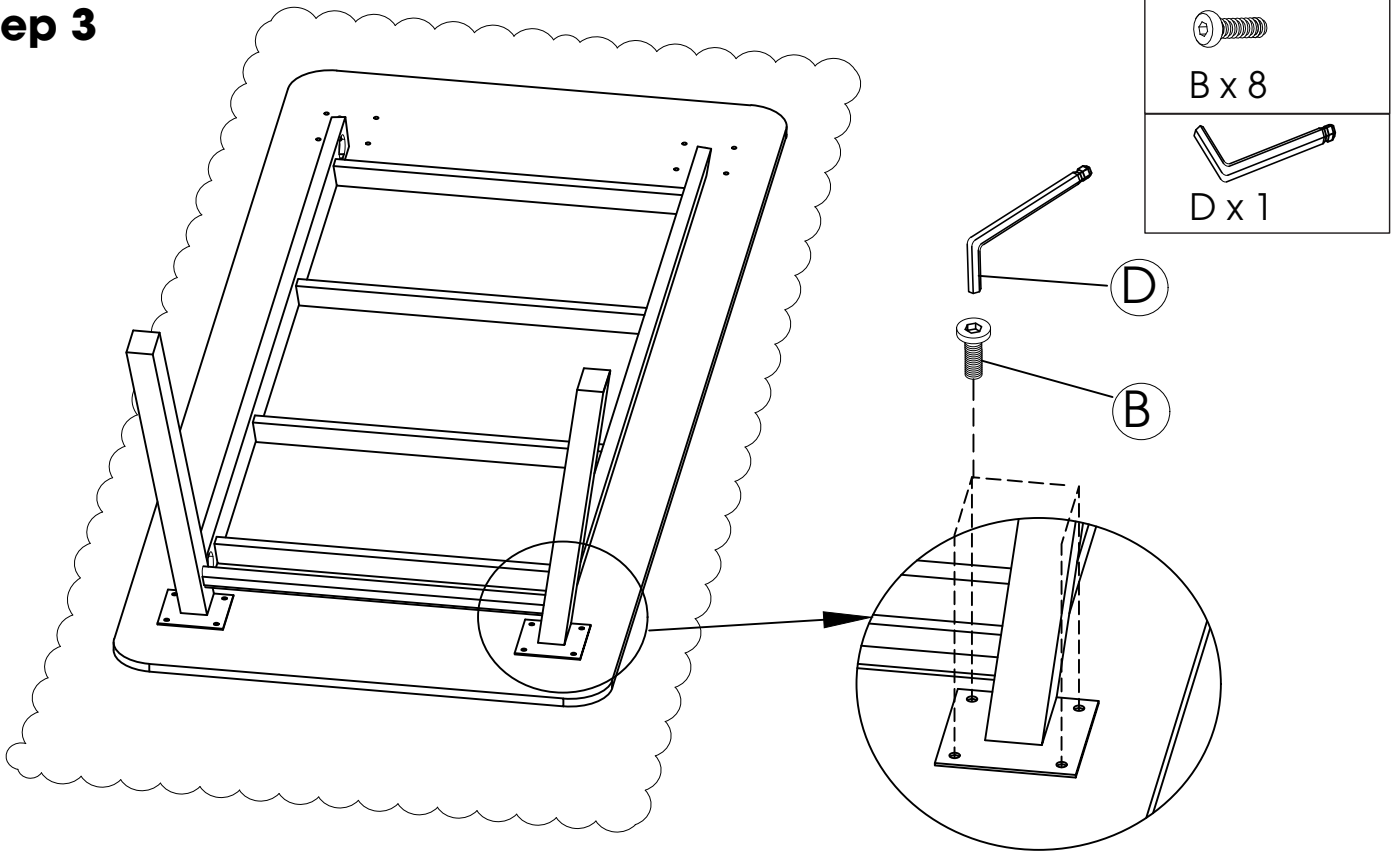
Step 2:



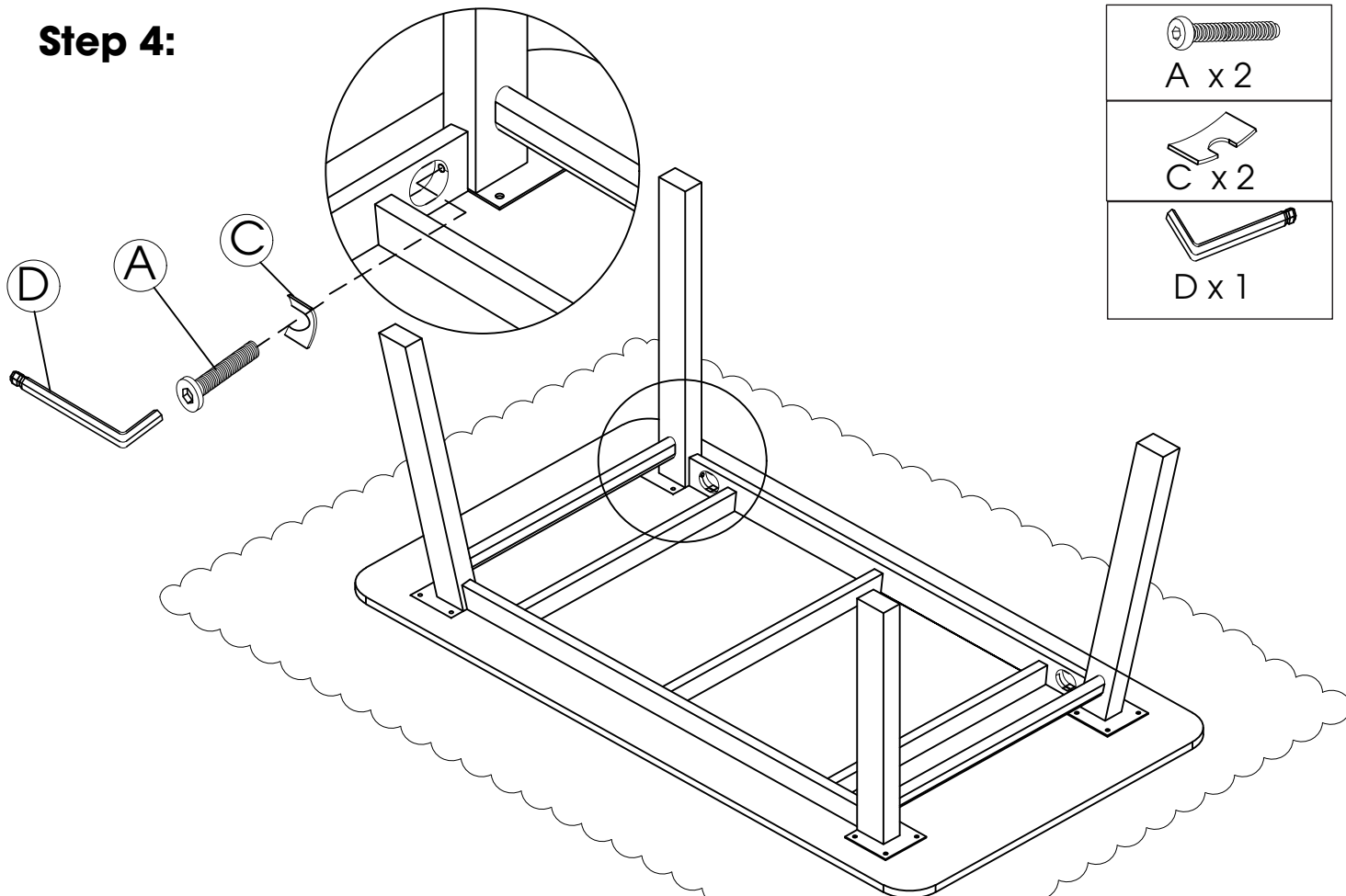
HALLIE DINING TABLE 160X90CM

24430487 / 24430456

Step 3



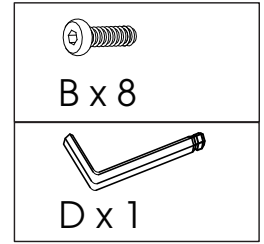
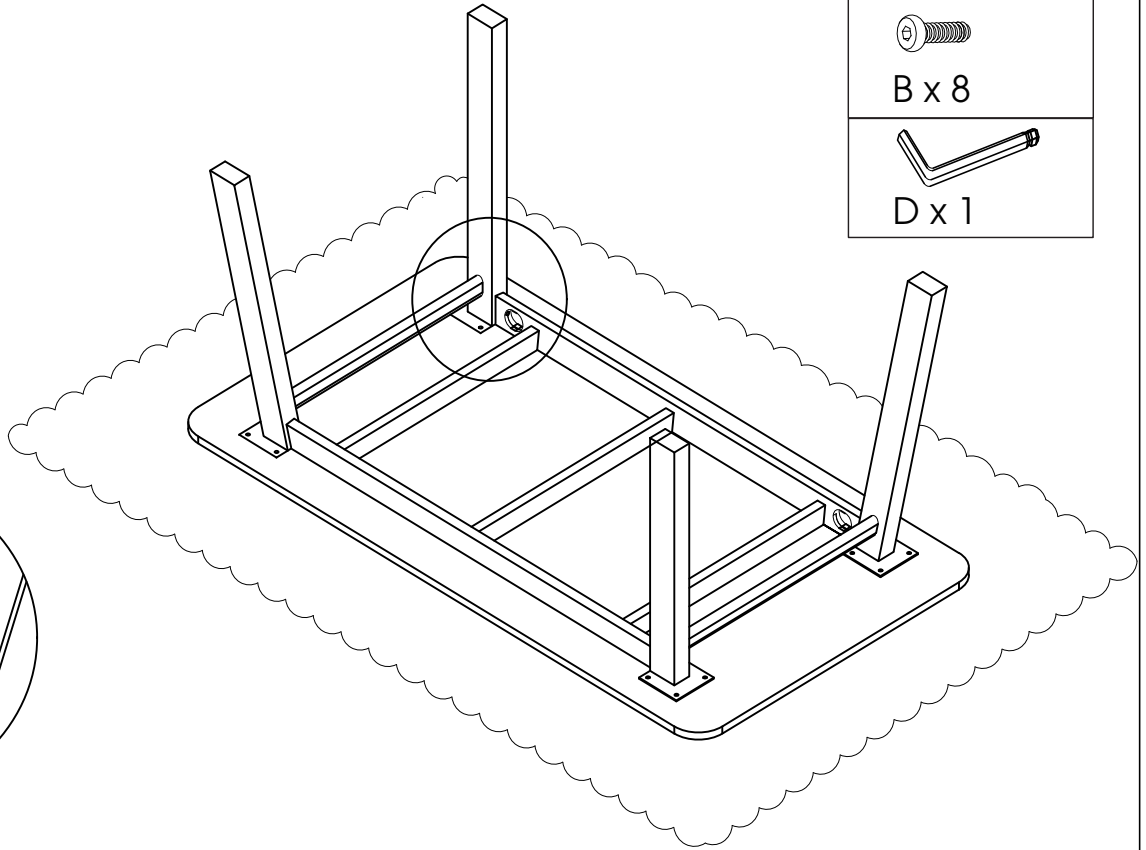
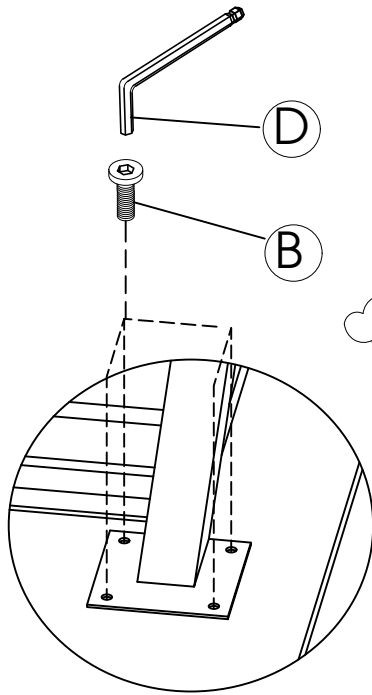
Step 4:



HALLIE DINING TABLE 160X90CM

24430487 / 24430456

Step 5:

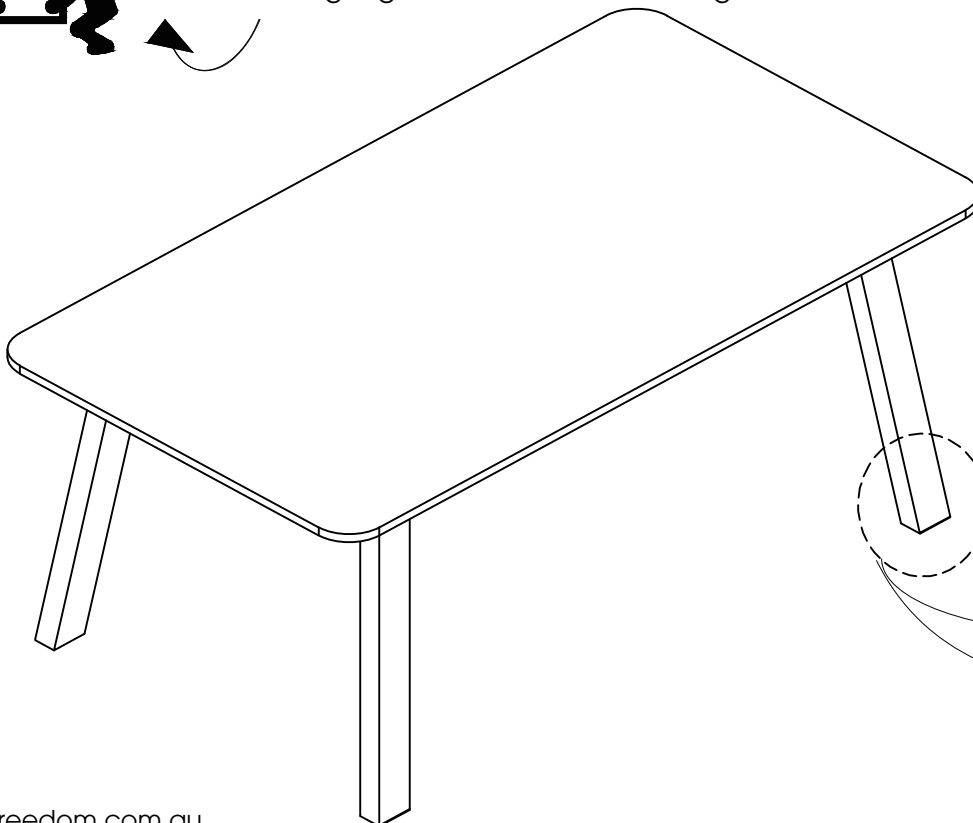


Step 6:



Attention:

At least two people should complete this step. Do not leverage the item using legs as it will cause damage.



ADJUST FEET LEVELERS

