

# Scala Bookshelf

24247337 / 24247368

Thank you for purchasing the **Scala Bookshelf**. Before you begin to assemble your new piece of furniture, please check to ensure that all hardware and parts have been supplied.

This page lists all contents included in the carton(s).

Follow instructions closely as deviation from them may present a possible safety risk and may void your warranty.

It is recommended that assembly is done on a soft surface such as carpet to avoid any damage.

If you experience any problems with your new purchase, please contact Customer Service via the website [www.freedom.com.au](http://www.freedom.com.au) or [www.freedomfurniture.co.nz](http://www.freedomfurniture.co.nz)

## Care Information

Use tablecloths, table runners and coasters to help protect surfaces from scratching.

Dust once a week using a soft cloth or similar duster.

Only use freedom recommended care products as many supermarket polishes and waxes contain high levels of silicon and petroleum distillate which can damage the surface.

Polish your furniture every 3 to 6 months, making sure the surface is free from dust before you start.










Periodically check and retighten furniture. Always lift your furniture, never drag it

Avoid placing hot or wet items directly on the surface as they can leave marks which are difficult to remove.

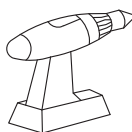
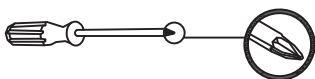
Avoid direct sunlight, as this will cause colour change. If the furniture is in direct sunlight, move items like vases around to avoid spotting.

Avoid applying too much polish as this will build up and need to be removed with a wood - cleaning product.

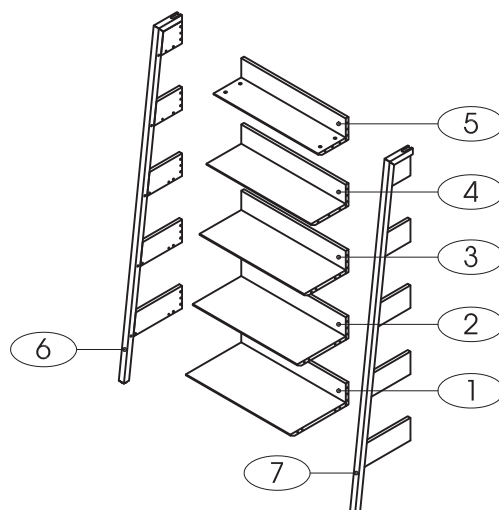
## Hardware ( Supplied )

$\varnothing 8 \times 30$  A = 26 pcs	$\varnothing 7 \times 40$  B = 40 pcs	$\varnothing 15 \times 12$  C = 40 pcs	53x29x15  D = 3 pcs	$\varnothing 4 \times 20$  E = 3 pcs	$\varnothing 16 \times 6 \times 1$  F = 3 pcs	 G = 1 pc		
--------------------------------------------------------------------------------------------------------------------------------	--------------------------------------------------------------------------------------------------------------------------------	---------------------------------------------------------------------------------------------------------------------------------	--------------------------------------------------------------------------------------------------------------	-------------------------------------------------------------------------------------------------------------------------------	----------------------------------------------------------------------------------------------------------------------------------------	---------------------------------------------------------------------------------------------------	---------------------------------------------------------------------------------------	---------------------------------------------------------------------------------------

## Tools Required ( Not Supplied )



## Parts

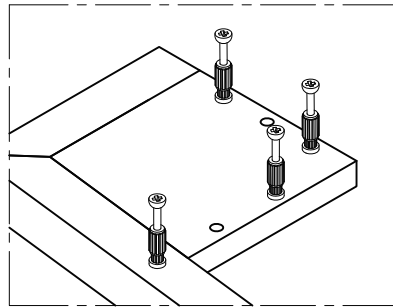
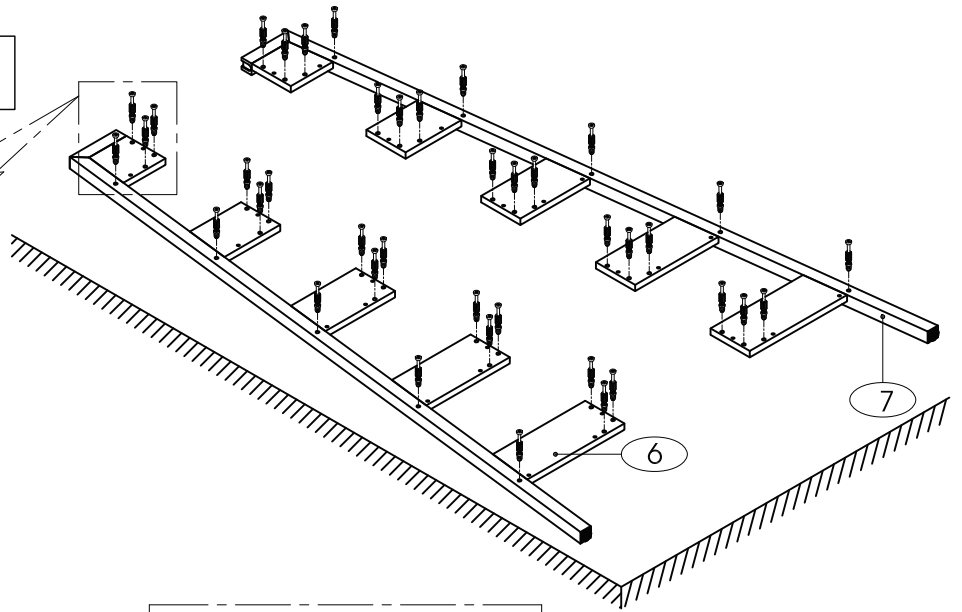
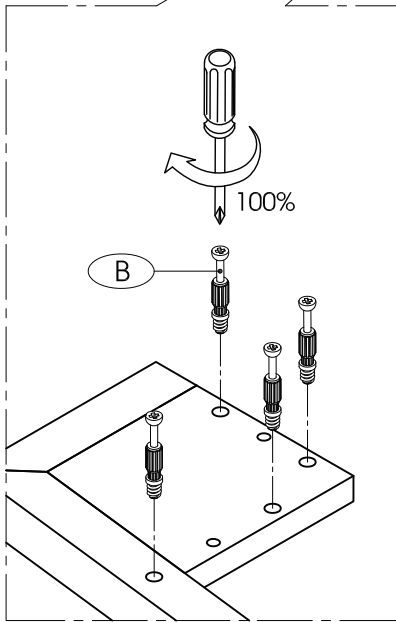


# Scala Bookshelf

24247337 / 24247368

Step : 1

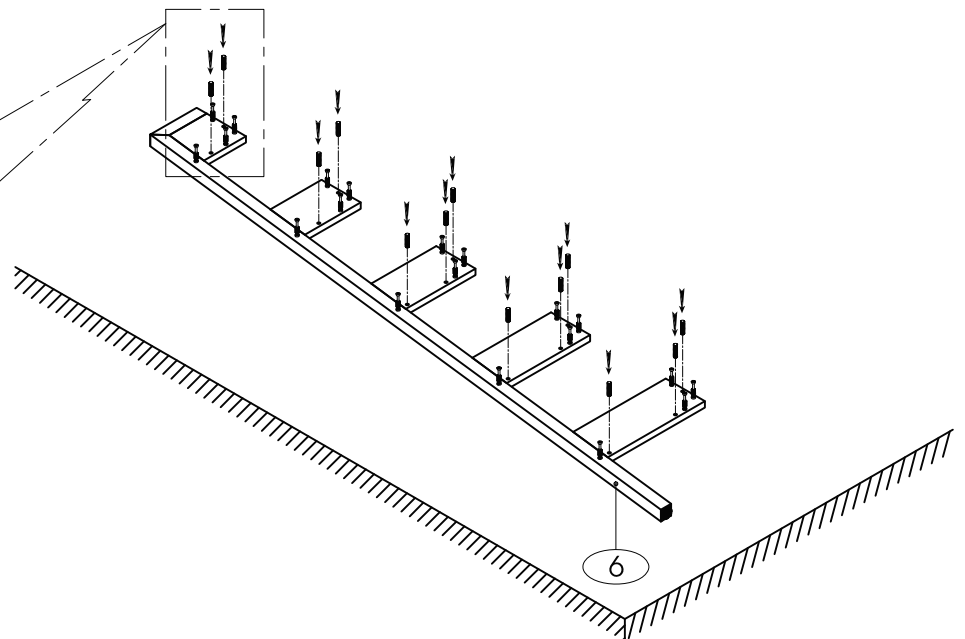
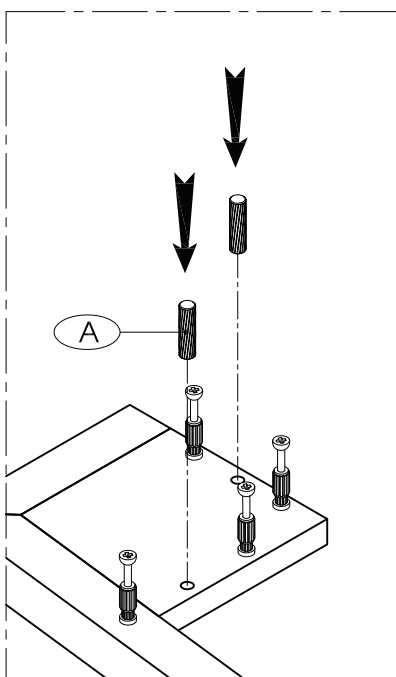
B = 40 pcs



**Attention!** Put the item on a rug or similar to help protect surfaces from scratching.

Step : 2

A = 13 pcs

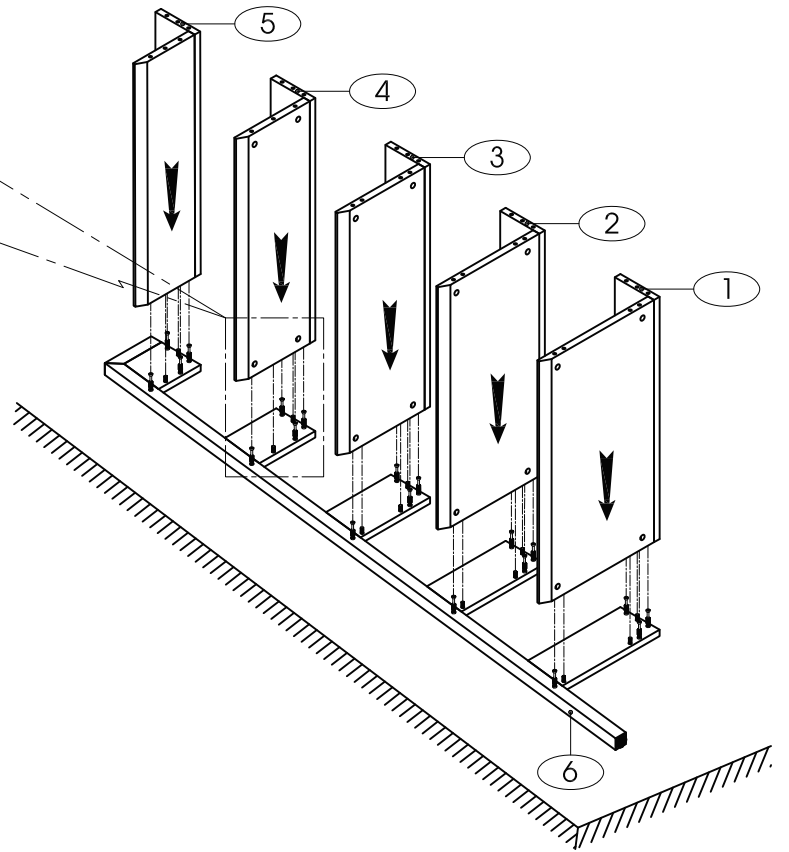
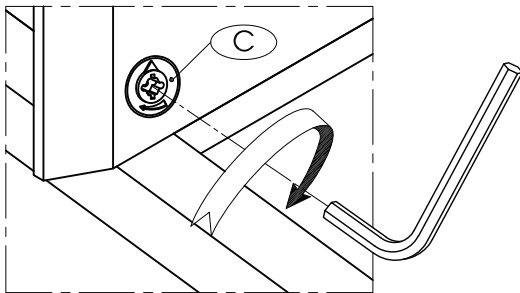
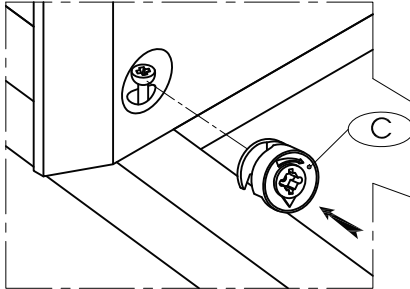


# Scala Bookshelf

24247337 / 24247368

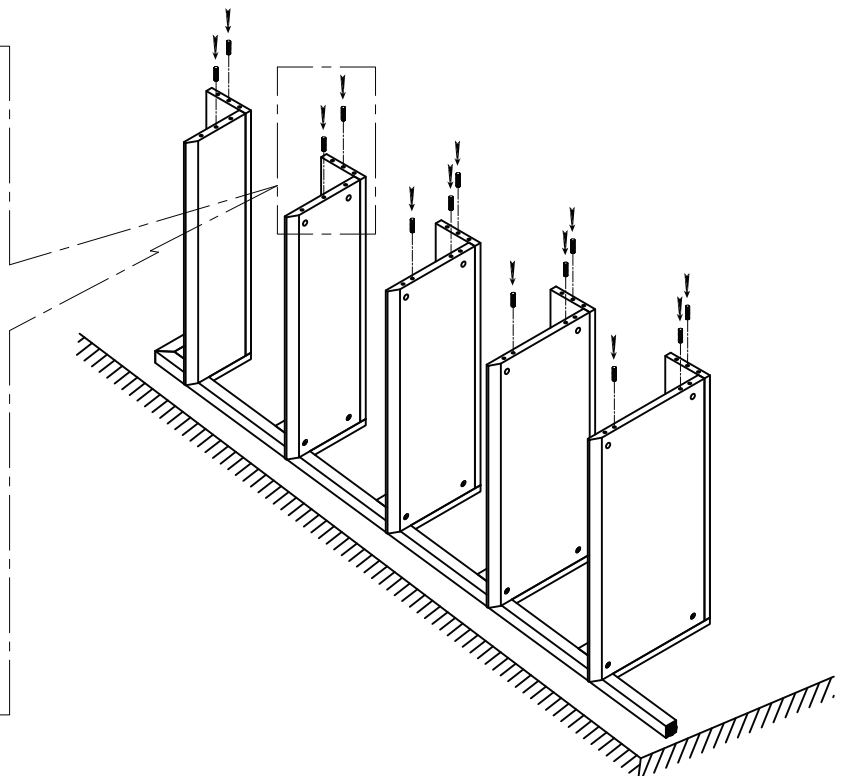
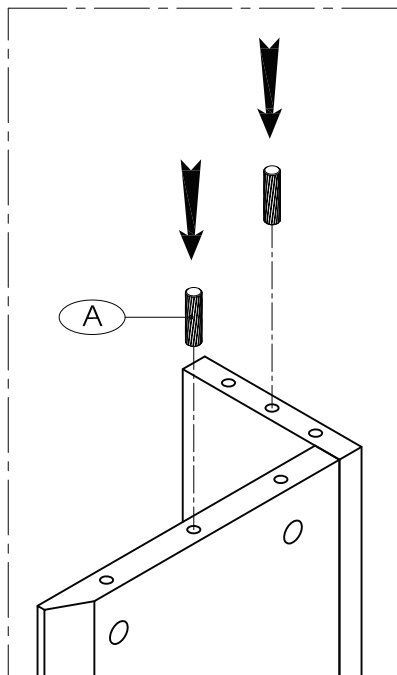
Step : 3

C = 20 pcs



Step : 4

A = 13 pcs

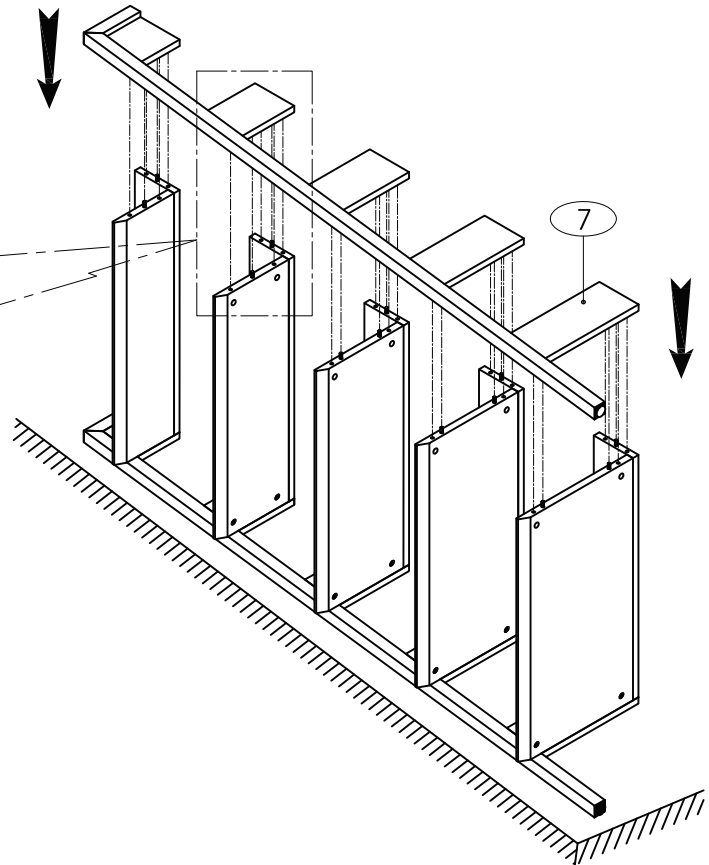
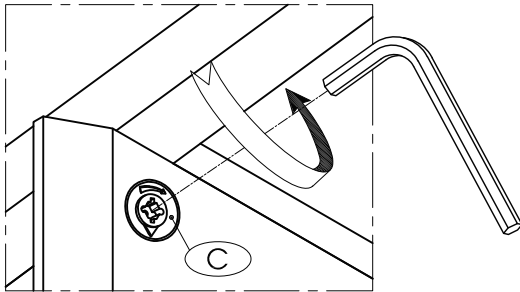
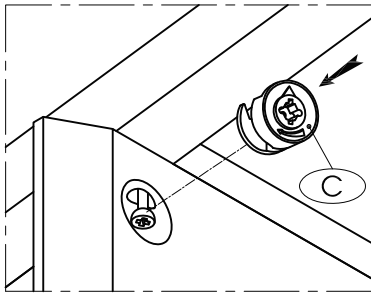


# Scala Bookshelf

24247337 / 24247368

Step : 5

C = 20 pcs



## FINAL Step: Attach anti tilt strap or bracket to wall

### WARNING:

To prevent your furniture from tilting forward and possibly causing property damage or personal injury it is recommended that you Securely attach the anti-tilt straps or brackets provided to your wall using appropriate fixings

### IMPORTANT:

- DO NOT place toys or other child appealing items on top of this furniture
- AVOID fully opening all drawers at the same time
- DO NOT ALLOW Small children to climb onto Drawers, shelves or to swing from open doors

### CAUTION:

For your safety when attaching the anti-tilt fixings;

- Check for any electrical wires or plumbing inside the wall before drilling any holes (if you are unsure please seek professional advice from a qualified tradesman)
- Walls are constructed from different materials eg; Masonry (solid brick) or plaster board lined cavity walls (hollow).

It is important that you use the appropriate wall fixings for your wall type.

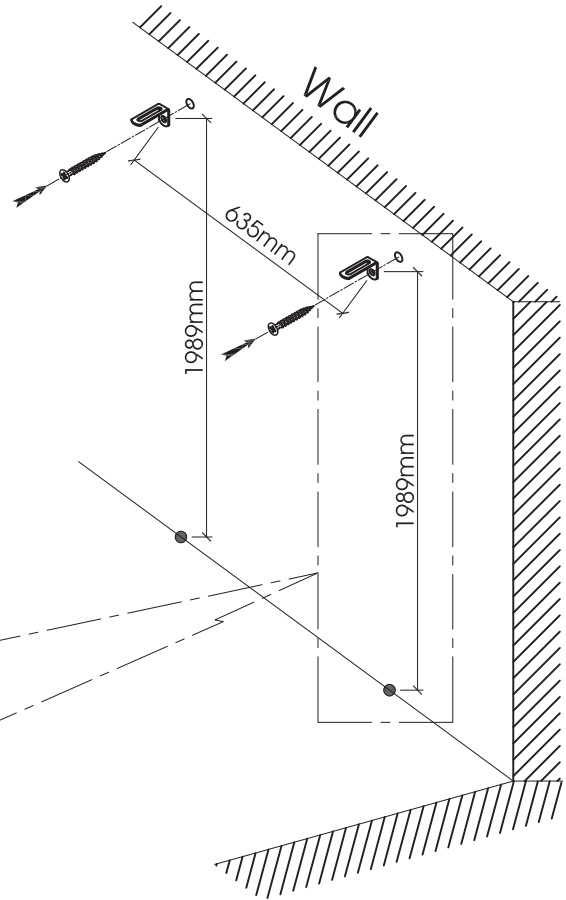
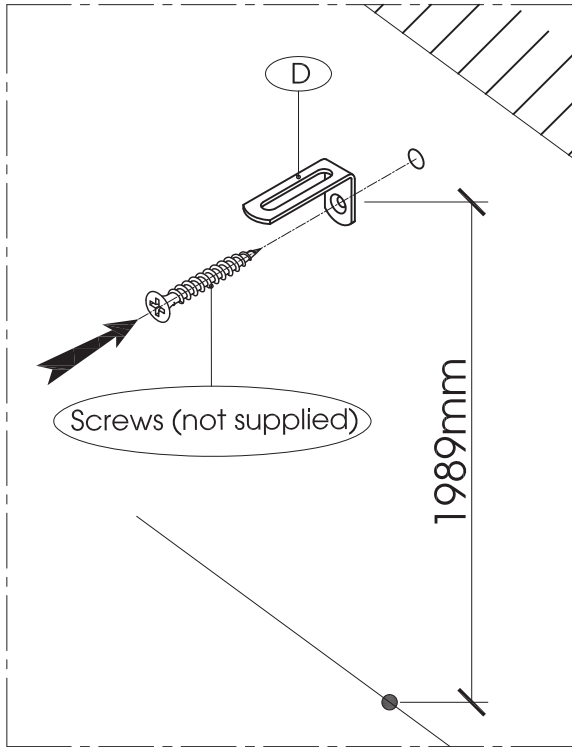
(Your local hardware store will have the necessary drills and fixings and can offer advice if needed)

# Scala Bookshelf

24247337 / 24247368

Step : 6

D = 2 pcs



Step : 7

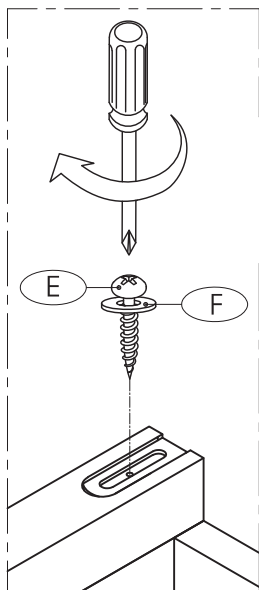
D = 1 pc



E = 3 pcs



F = 3 pcs



Screws (not supplied)

