

## Worker Desk Large

24132336(Matte Black) / 24132367(Matte Black) / 24132343(Matte Grey)  
24132381(Brushed Brass) / 24132411(Brushed Brass) / 24132404(Marble)  
24132428(Stainless Steel) / 24132459(Stainless Steel) / 24132541(Elm)



This assembly requires two persons.

Thank you for purchasing Worker Desk Large. Before you begin to assemble your new piece of furniture, please check to ensure that all hardware and parts have been supplied. This page lists all contents included in the carton(s).

Follow instructions closely as deviation from them may present a possible safety risk and may void your warranty.

It is recommended that assembly is done on a soft surface such as carpet to avoid any damage.

If you experience any problems with your new purchase, please contact Freedom Customer Service via [livechat@freedom.com.au](mailto:livechat@freedom.com.au) (Australia) or 0800 469 327 (New Zealand).

### Care Information

#### MARBLE

To protect the marble and make it easier to clean, a clear lacquer is applied. This finish will help guard the marble from every-day spills like wine, grease and coffee. The finish will not withstand harsh acids and cellulose. Wipe any spill immediately with a clean cloth to avoid staining. Using table runners, place mats and coasters will lesson the chances of marking and damaging the marble

Do not clean using acidic cleaners that are lemon or vinegar based. These can stain the marble. Simply wipe the marble down with a mild soapy solution and dry.

If you need to move your marble table, Always lift furniture, never drag it (even for a short distance). Dragging places greater stresses on the table frame. Avoid knocking the edges of marble as this may chip or scratch it.

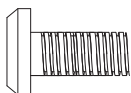
Periodically check and re-tighten all fasteners.

#### MDF

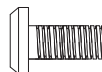
Avoid direct sunlight as it may cause the product to change colour. Dust the surfaces by using soft and clean cloth. Avoid using harsh abrasives. chemicals or polishes. It is important to remove moist substances immediately.

Periodically check and re-tighten all fasteners. Always lift furniture, never drag it.

### Hardware (Supplied)



m8\*12mm  
Part A x 32



m6\*12mm  
Part B x 4



M6\*12 mm  
Part C x 10



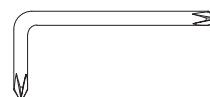
Ø13\* 1 mm  
Part D x 10



5mm  
Part E x 1



4mm  
Part F x 1

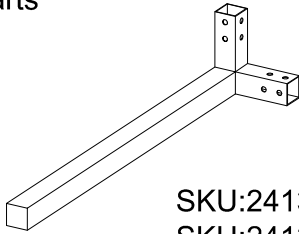


6mm  
Part G x 1

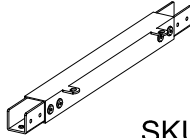
# Worker Desk Large

24132336(Matte Black) / 24132367(Matte Black) / 24132343(Matte Grey)  
24132381(Brushed Brass) / 24132411(Brushed Brass) / 24132404(Marble)  
24132428(Stainless Steel) / 24132459(Stainless Steel) / 24132541(Elm)

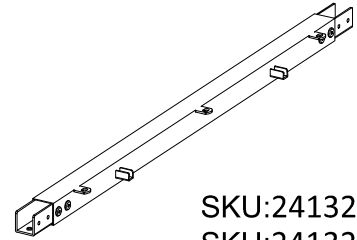
## Parts



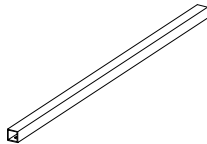
SKU:24132336  
SKU:24132381  
①x4 SKU:24132428



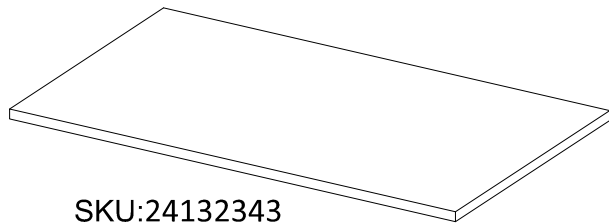
SKU:24132336  
SKU:24132381  
②x2 SKU:24132428



SKU:24132367  
SKU:24132411  
③x2 SKU:24132459

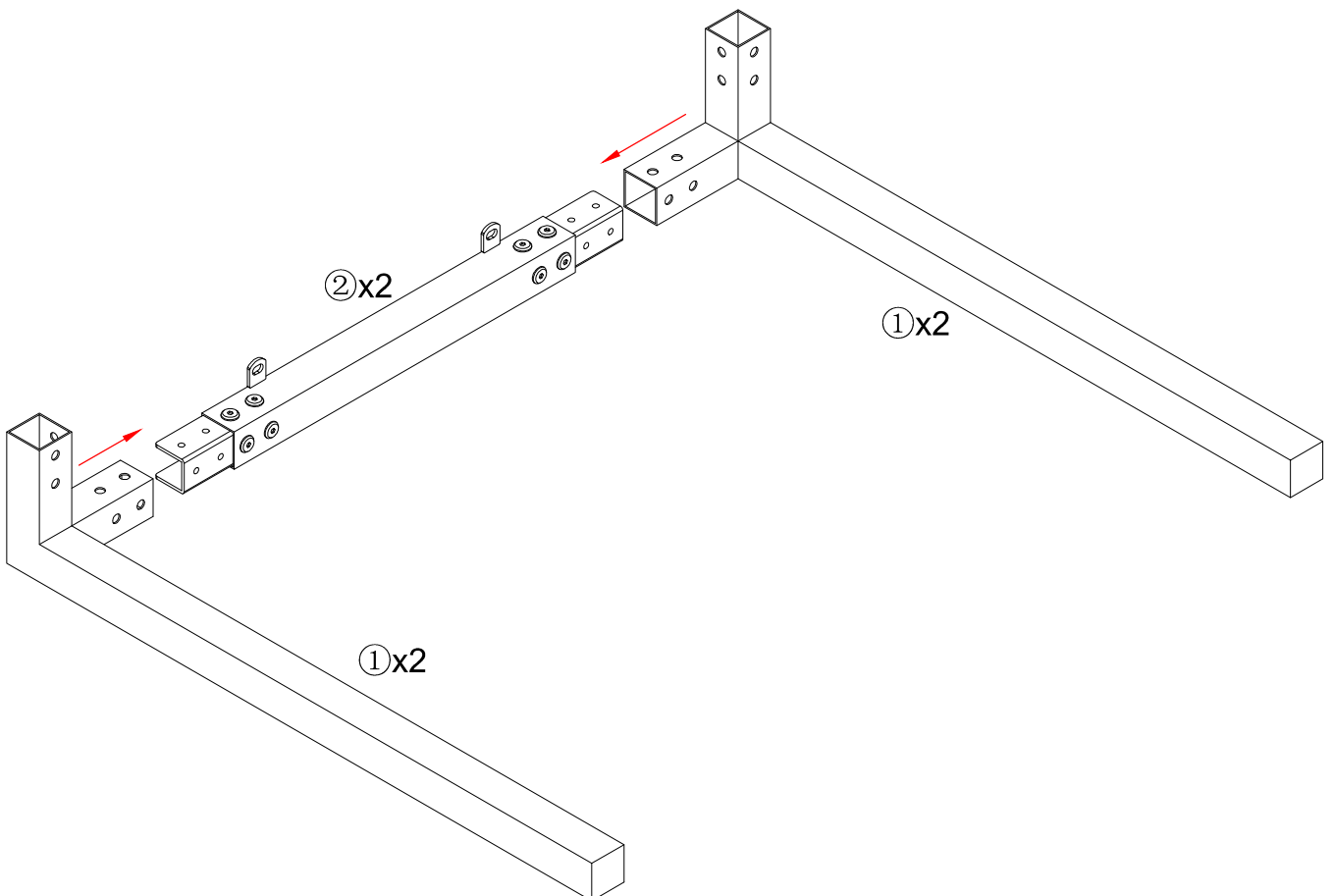


SKU:24132367  
SKU:24132411  
④x2 SKU:24132459



SKU:24132343  
SKU:24132404  
⑤x1 SKU:24132541

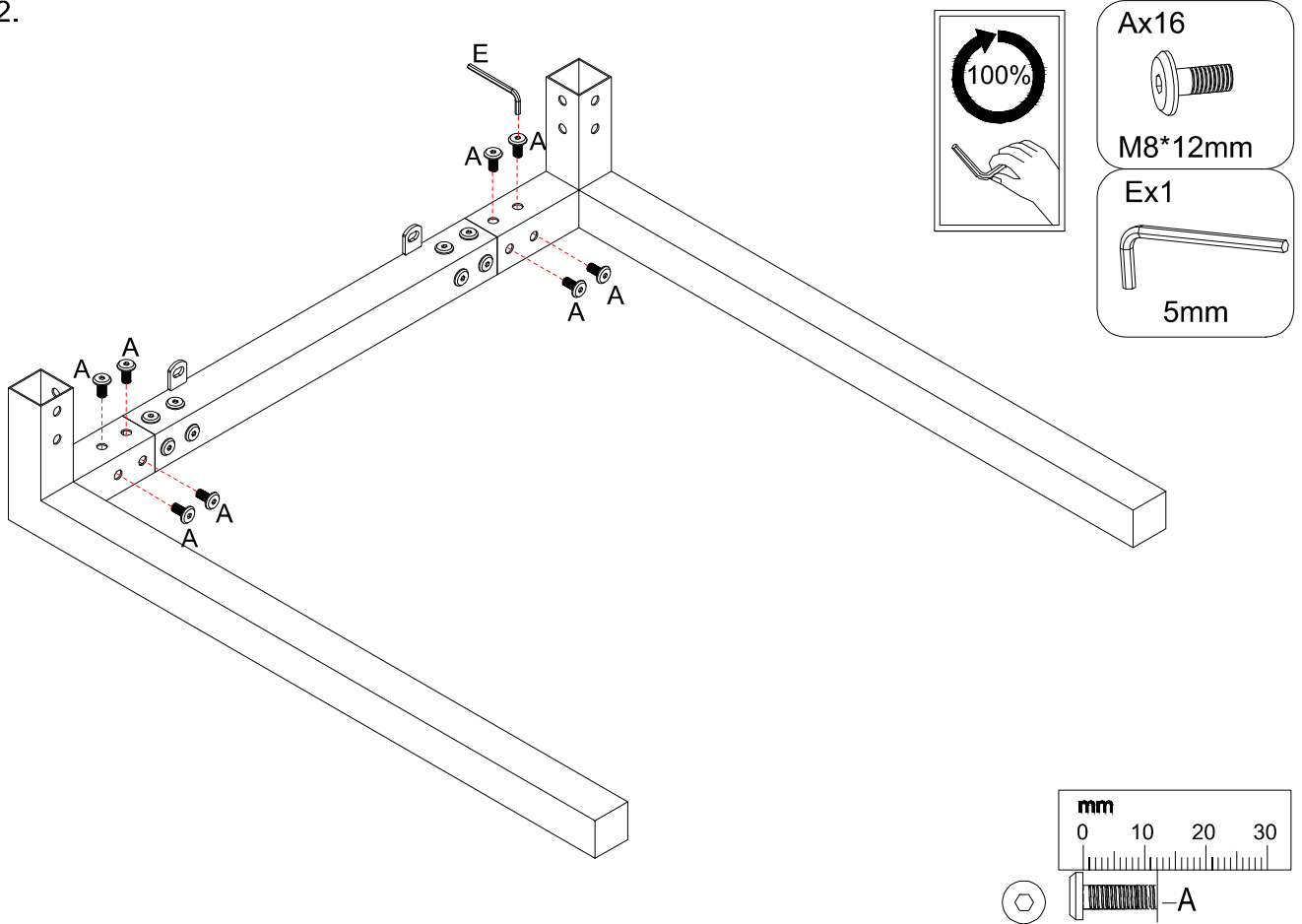
## Step 1.



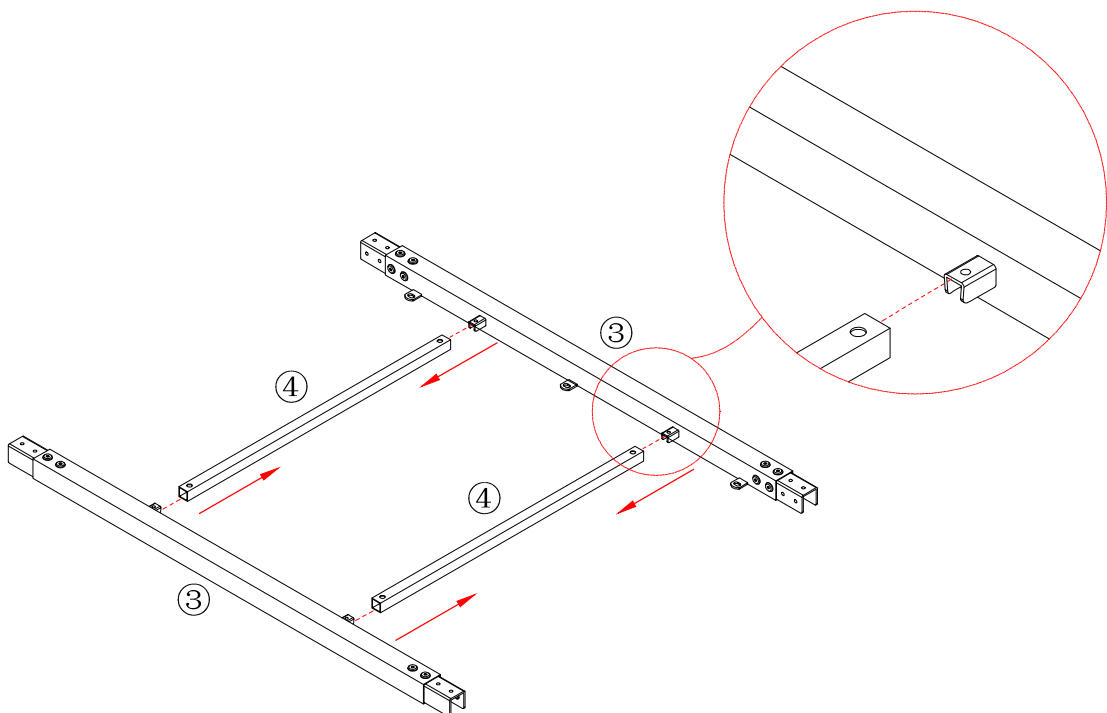
# Worker Desk Large

24132336(Matte Black) / 24132367(Matte Black) / 24132343(Matte Grey)  
24132381(Brushed Brass) / 24132411(Brushed Brass) / 24132404(Marble)  
24132428(Stainless Steel) / 24132459(Stainless Steel) / 24132541(Elm)

Step 2.



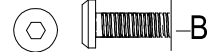
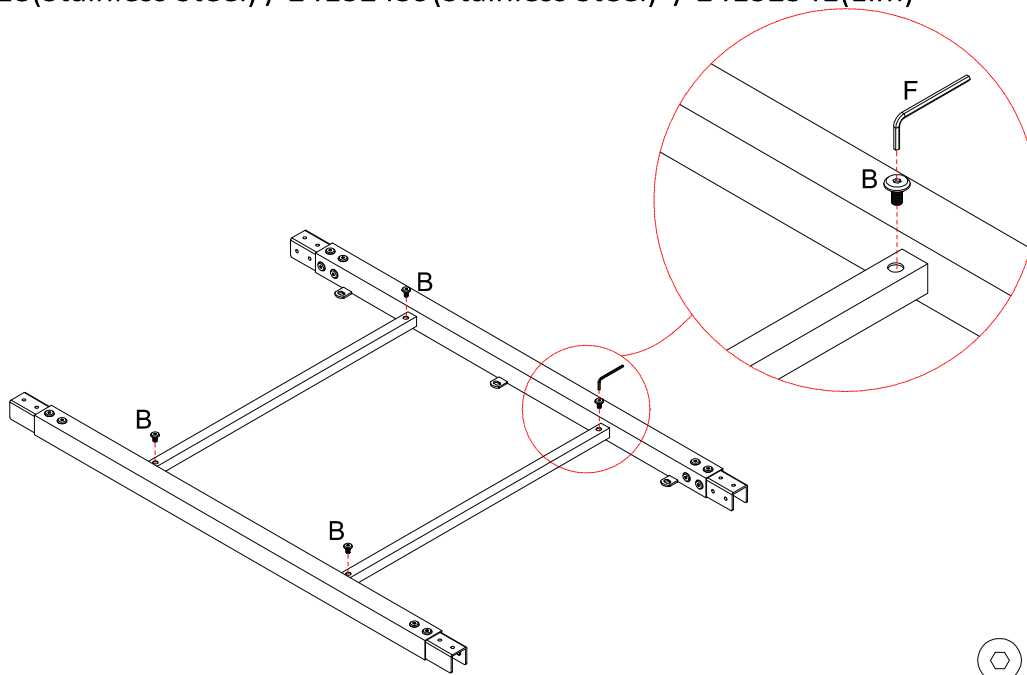
Step 3.



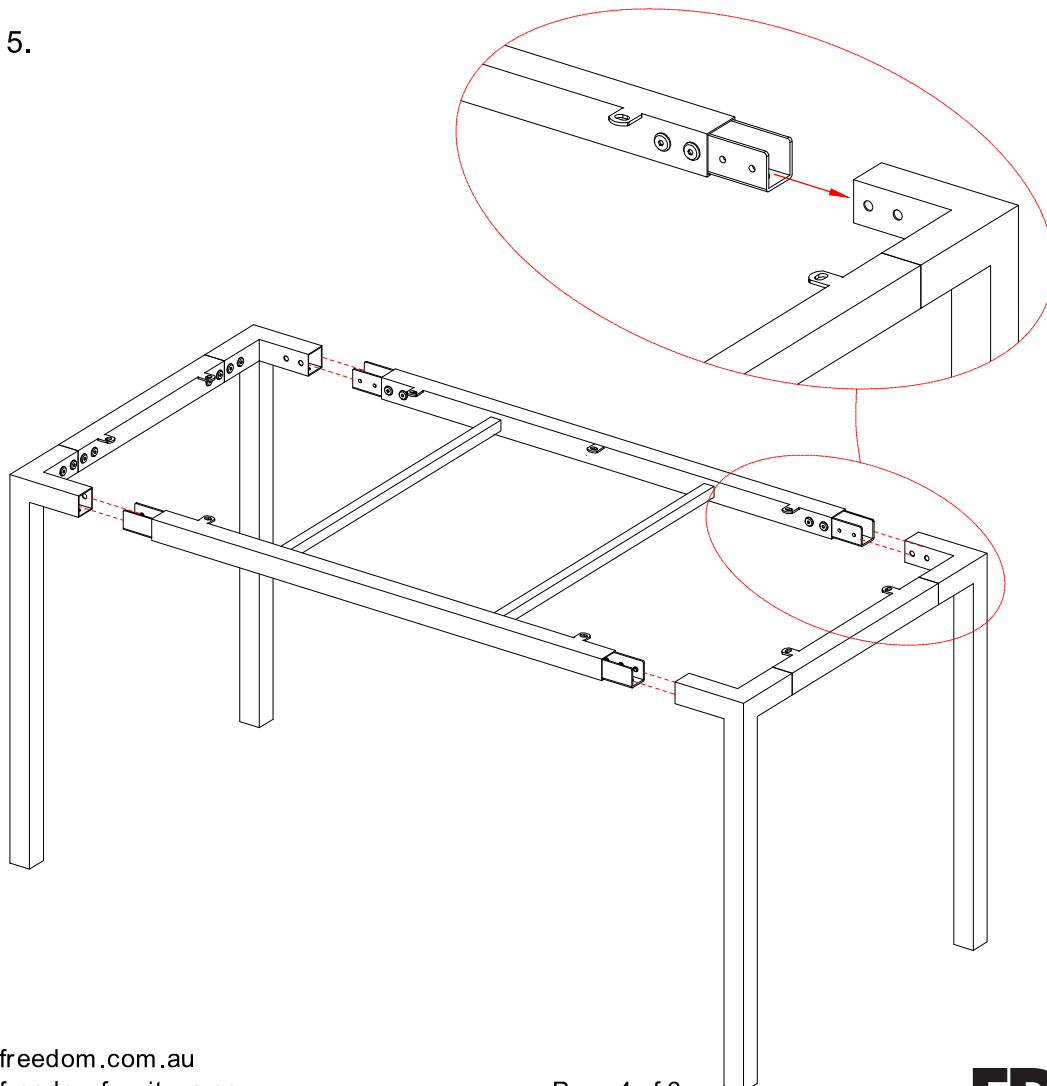
## Worker Desk Large

24132336(Matte Black) / 24132367(Matte Black) / 24132343(Matte Grey)  
24132381(Brushed Brass) / 24132411(Brushed Brass) / 24132404(Marble)  
24132428(Stainless Steel) / 24132459(Stainless Steel) / 24132541(Elm)

Step 4.



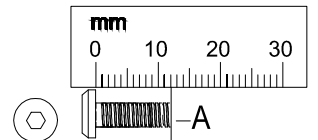
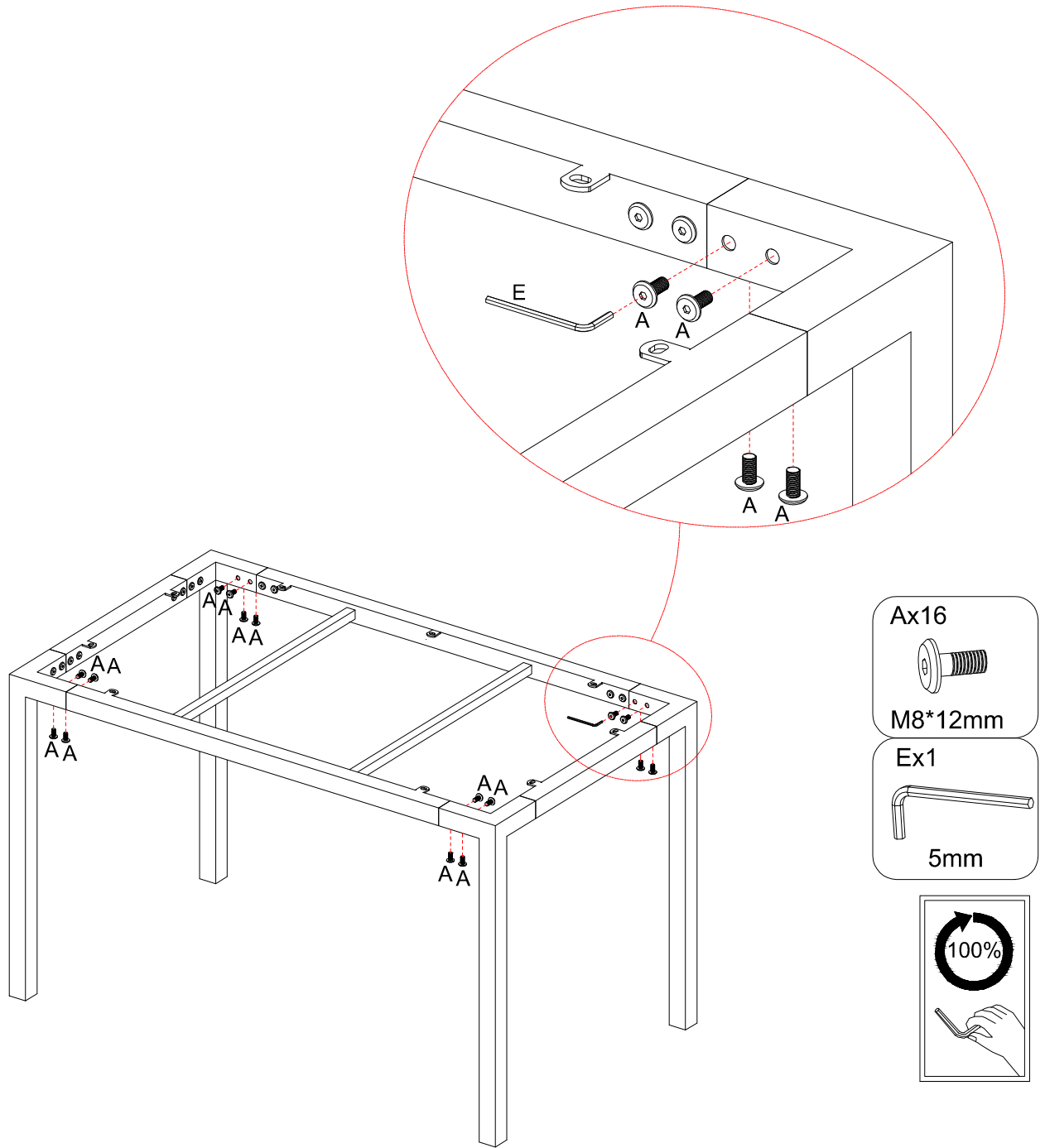
Step 5.



# Worker Desk Large

24132336(Matte Black) / 24132367(Matte Black) / 24132343(Matte Grey)  
24132381(Brushed Brass) / 24132411(Brushed Brass) / 24132404(Marble)  
24132428(Stainless Steel) / 24132459(Stainless Steel) / 24132541(Elm)

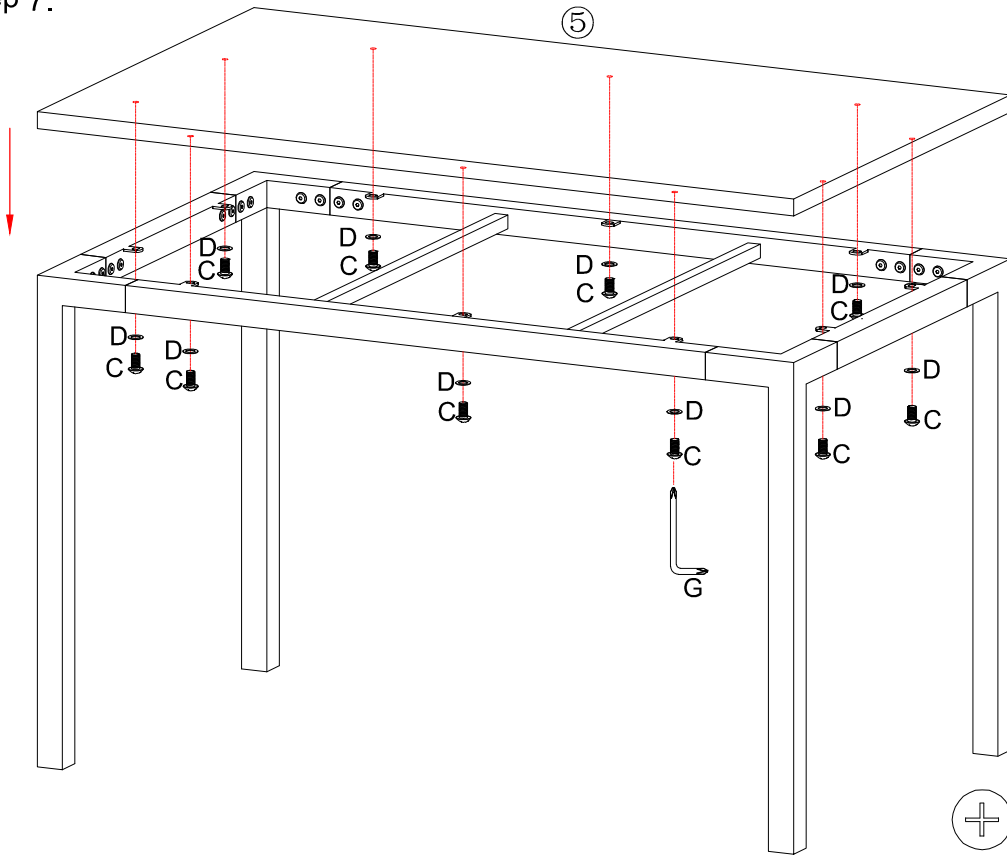
Step 6.



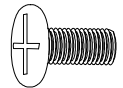
# Worker Desk Large

24132336(Matte Black) / 24132367(Matte Black) / 24132343(Matte Grey)  
24132381(Brushed Brass) / 24132411(Brushed Brass) / 24132404(Marble)  
24132428(Stainless Steel) / 24132459(Stainless Steel) / 24132541(Elm)

Step 7.

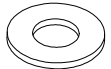


Cx10



M6\*12mm

Dx10

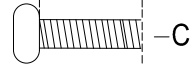
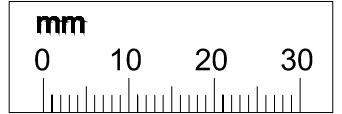
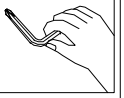


Ø13\*1mm

Gx1



6mm



Step 8.

